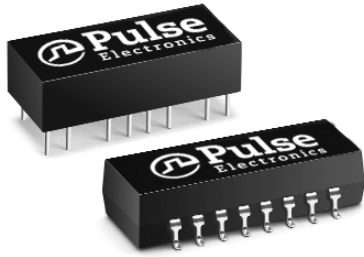


Common Mode Chokes For ADSL and VDSL

For Use with Broadcom® BCM 6010/6020



- Supports speeds up to 25.92 Mbps
- Provides two-wire to four-wire conversion
- Surface mount or through hole package

Electrical Specifications @ 25°C - Operating Temperature 0°C to +70°C

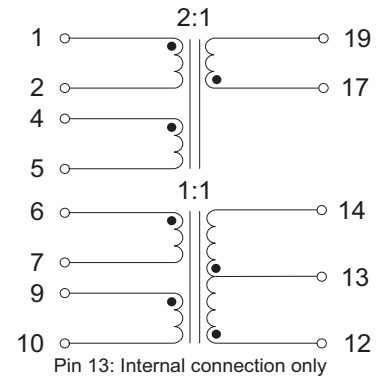
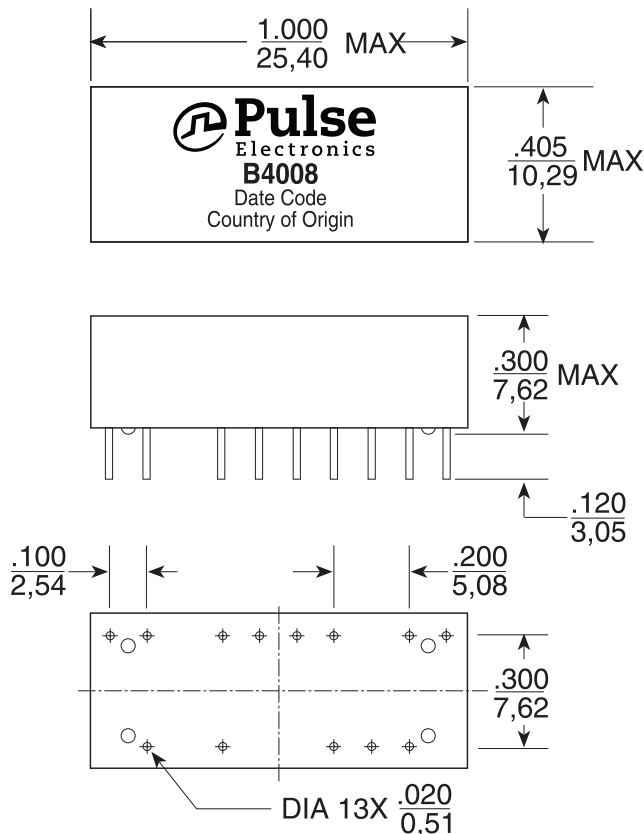
Part Number	Turns Ratio		DCR (MAX)	Return Loss (dB MIN)	Insertion Loss (dB MAX)	Transhybrid Loss (dB MIN)	Longitudinal Balance (dB MIN)	Isolation Voltage (Vrms)
	Trans.	Rec.						
B4008 (THT)	2:1	1:1	0.5 Ω	138 kHz to 1 MHz: 13.5	138 kHz to 20 MHz: 0.5	138 kHz to 1 MHz: 30	138 kHz to 300 kHz: 60	2000
B4025 (SMT)				1 MHz to 20 MHz: 20		1 MHz to 20 MHz: 25	300 kHz to 1 kHz: 50	
							1 MHz to 20 kHz: 30	

Notes: Surge Voltage Capability - Metallic: 800Vpeak 10/560sec. Long.: 2400Vpeak 10/700sec. BX4053NL is a dual choke. Please add the suffix "T" for Tape & Reel orders (i.e. B4003NL becomes B4003NLT).

Mechanical

Schematic

B4008



Weight2.8grams

Tube20/tube

Dimensions: $\frac{\text{Inches}}{\text{mm}}$

Unless otherwise specified,
all tolerances are $\pm \frac{.010}{0,25}$

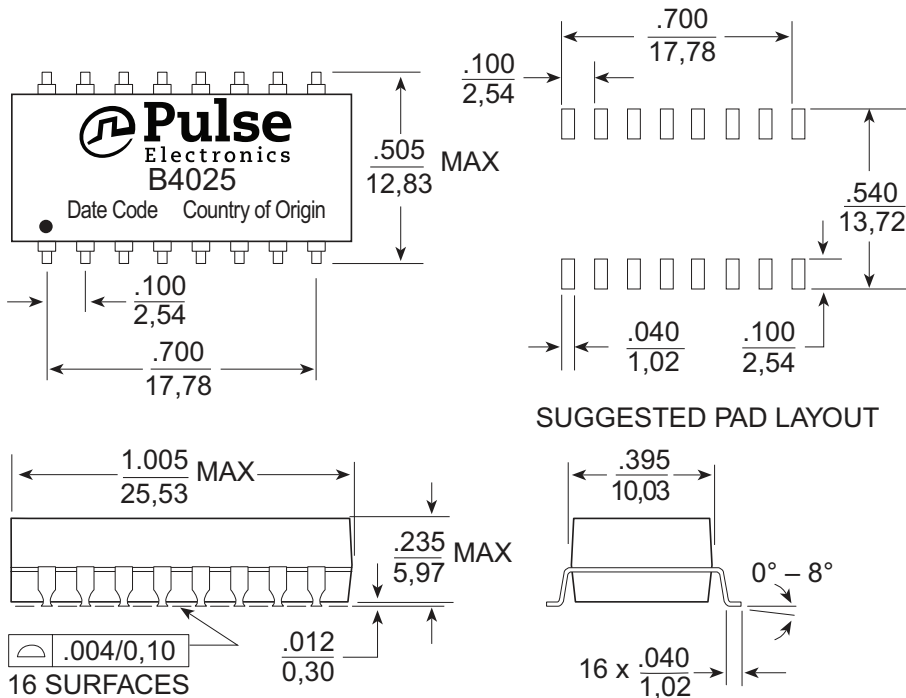
VDSL Transformers

For Use with Broadcom© BCM 6010/6020

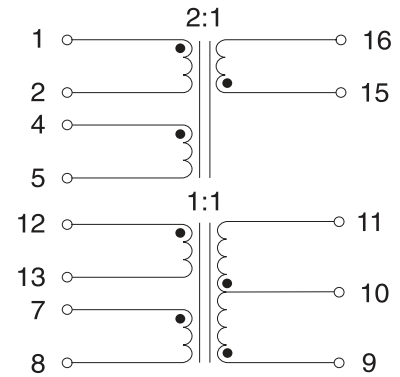
Mechanical (continued)

Schematic

B40025



SUGGESTED PAD LAYOUT



Pin 10: Internal connection only

Weight2.8grams

Tape & Reel20/reel

Dimensions: $\frac{\text{Inches}}{\text{mm}}$

Unless otherwise specified,
all tolerances are $\pm \frac{.010}{0,25}$

For More Information

Pulse Worldwide Headquarters
12220 World Trade Drive
San Diego, CA
92128
U.S.A.

Pulse Europe
Einsteinstrasse 1
D-71083 Herrenberg
Germany

Pulse China Headquarters
B402, Shenzhen Academy of
Aerospace Technol-
ogy Bldg.
10th Kejinan Road
High-Tech Zone
Nanshan District
Shenzhen, PR China
518057
Tel: 86 755 3396678
Fax: 86 755 33966700

Pulse North China
Room 2704/2705
Super Ocean Finance
Ctr.
2067 Yan An Road
West
Shanghai 200336
China
Tel: 86 21 62787060
Fax: 86 2162786973

Pulse South Asia
135 Joo Seng Road
#03-02
PM Industrial Bldg.
Singapore 368363
Tel: 65 6287 8998
Fax: 65 6287 8998

Pulse North Asia
3F, No. 198
Zhongyuan Road
Zhongli City
Taoyuan County 320
Taiwan R. O. C.
Tel: 886 3 4356768
Fax: 886 3 4356823 (Pulse)
Fax: 886 3 4356820 (FRE)

Tel: 858 674 8100
Fax: 858 674 8262

Tel: 49 7032 78060
Fax: 49 7032 7806 135

Performance warranty of products offered on this data sheet is limited to the parameters specified. Data is subject to change without notice. Other brand and product names mentioned herein may be trademarks or registered trademarks of their respective owners. © Copyright, 2012. Pulse Electronics, Inc. All rights reserved.