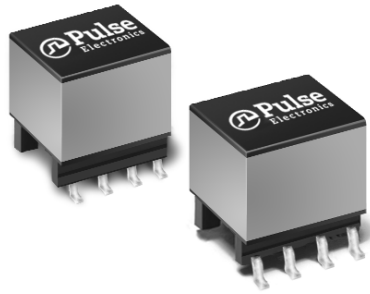


# ADSL Line Transformer

For Broadcom Bladerunner CO Chipset



- Approved by Broadcom for use with Bladerunner Central Office BCM6410 and BCM6420 chipsets
- ADSL/POTS and ADSL/ISDN options available for Broadcom approved Line Drivers
- Compact footprint for high density Central Office board layouts

### Electrical Specifications @ 25°C - Operating Temperature -40°C to +85°C

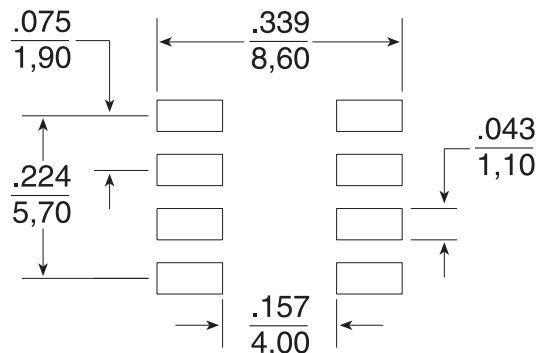
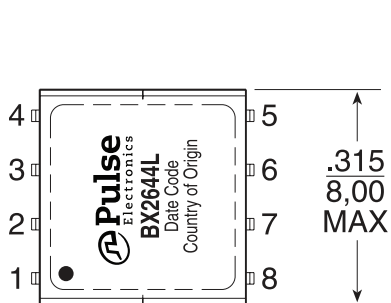
Part Number <sup>1</sup>	Turns Ratio (Line:Chip)	OCL Line ( $\mu\text{H} \pm 5\%$ )	Isolation Voltage (Vrms)	THD (dB MIN)
BX2303WA	1.4:1	100	1500	-80
BX2302WA	1.4:1	410	1500	-80
BX2619W	1.2:1	430	1500	-80
BX2644L	1.2:1	420	1500	-80

<sup>1</sup>Transformers are shipped in trays, unless Tape & Reel packaging is specified by adding the suffix "T" to this part number (BX2303WAT).

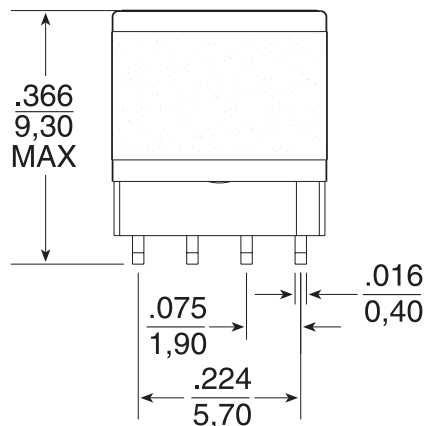
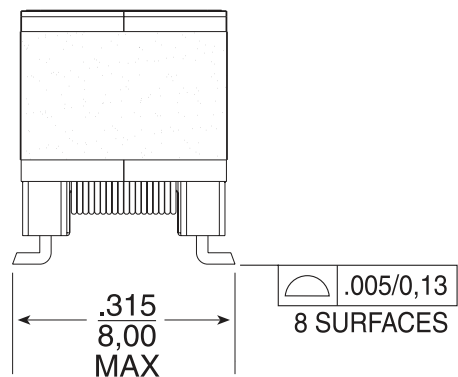
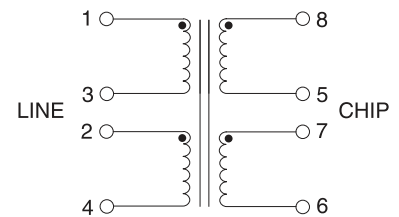
### Mechanical

### Schematic

#### BX2644L



#### SUGGESTED PAD LAYOUT



Weight .....1.4 grams  
 Tube .....350/tube

Dimensions:  $\frac{\text{Inches}}{\text{mm}}$

Unless otherwise specified, all tolerances are  $\pm \frac{.004}{0,10}$

USA 858 674 8100

Germany 49 7032 7806 0

Singapore 65 6287 8998

Shanghai 86 21 62787060

China 86 755 33966678

Taiwan 886 3 4356768

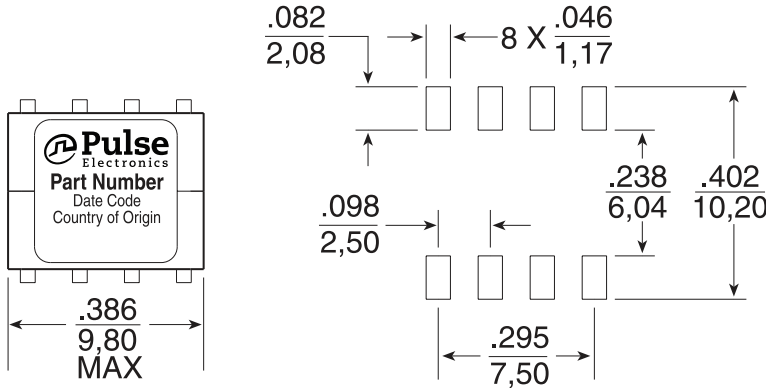
# ADSL Line Transformer

For Broadcom Bladerunner CO Chipset

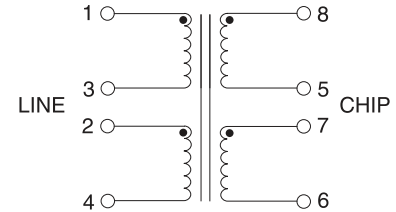
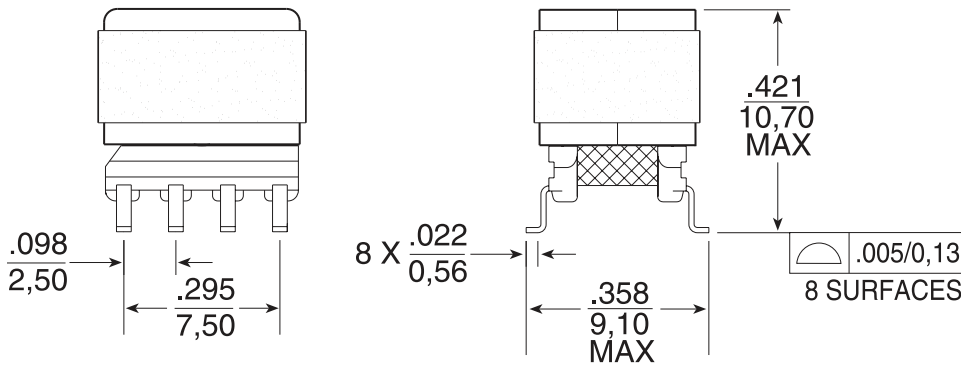
## Mechanical

## Schematic

**BX2303WA / BX2302WA / BX2619W**



### SUGGESTED PAD LAYOUT



**Weight** .....2.2 grams  
**Tape & Reel** .....300/reel  
**Tray** .....95/tray

**Dimensions:**  $\frac{\text{Inches}}{\text{mm}}$

Unless otherwise specified,  
 all tolerances are  $\pm \frac{.004}{0,10}$

## For More Information

**Pulse Worldwide Headquarters**  
 12220 World Trade Drive  
 San Diego, CA  
 92128  
 U.S.A.

**Pulse Europe**  
 Einsteinstrasse 1  
 D-71083 Herrenberg  
 Germany

**Pulse China Headquarters**  
 B402, Shenzhen Academy of  
 Aerospace Technology Bldg.  
 10th Kejianan Road  
 High-Tech Zone  
 Nanshan District  
 Shenzhen, PR China  
 518057  
 Tel: 86 755 33966678  
 Fax: 86 755 33966700

**Pulse North China**  
 Room 2704/2705  
 Super Ocean Finance  
 Ctr.  
 2067 Yan An Road  
 West  
 Shanghai 200336  
 China  
 Tel: 86 21 62787060  
 Fax: 86 2162786973

**Pulse South Asia**  
 135 Joo Seng Road  
 #03-02  
 PM Industrial Bldg.  
 Singapore 368363  
 Tel: 65 6287 8998  
 Fax: 65 6287 8998

**Pulse North Asia**  
 3F, No. 198  
 Zhongyuan Road  
 Zhongli City  
 Taoyuan County 320  
 Taiwan R. O. C.  
 Tel: 886 3 4356768  
 Fax: 886 3 4356823 (Pulse)  
 Fax: 886 3 4356820 (FRE)

Performance warranty of products offered on this data sheet is limited to the parameters specified. Data is subject to change without notice. Other brand and product names mentioned herein may be trademarks or registered trademarks of their respective owners. © Copyright, 2012. Pulse Electronics, Inc. All rights reserved.