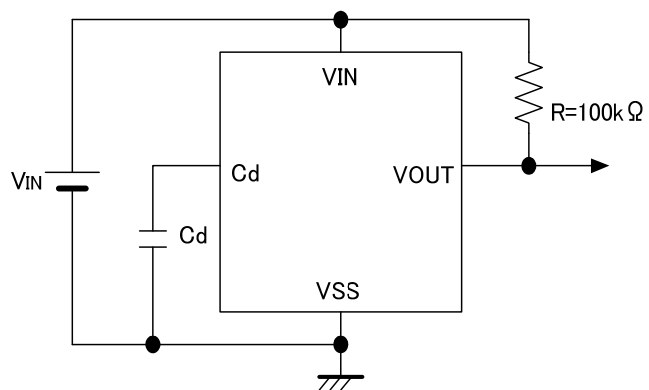


XC6109 Series

Voltage Detector with External Delay Type Capacitor



(No pull-up resistor needed for CMOS output products)