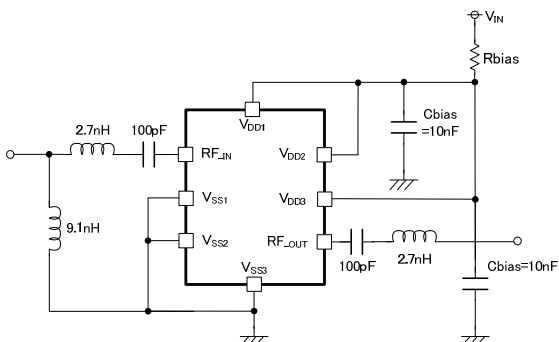
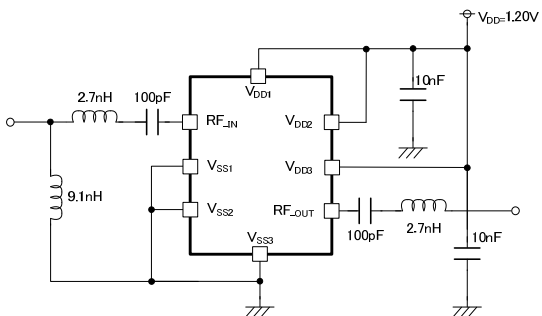


XC2404A816UR-G

1.6GHz Low Noise Amplifier



* R_{BIAS} should be in