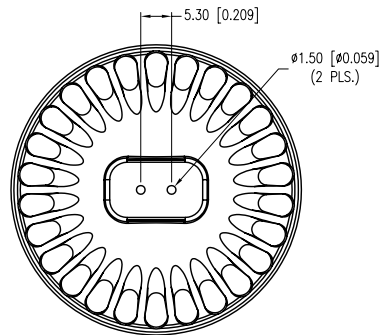
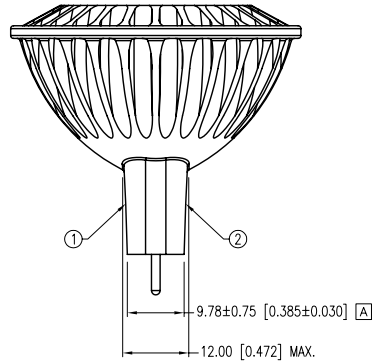
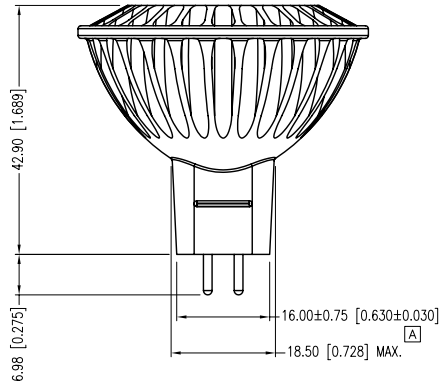
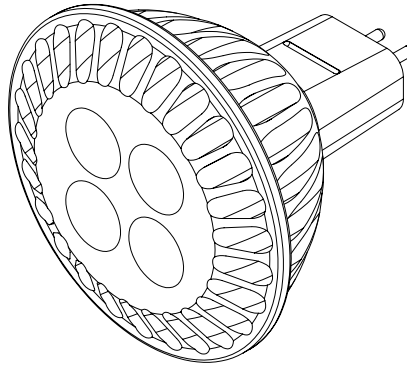
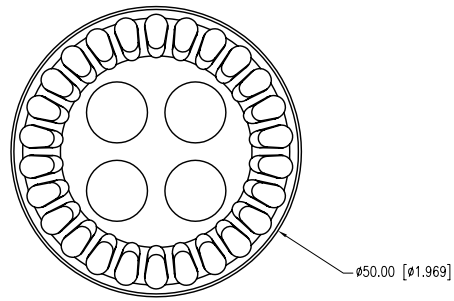


| | | | |
|-------------|-------------------------------------|------|------|
| PART NUMBER | SSP-M16MW012E05 | REV. | A |
| DATE | E.C.N. NUMBER AND REVISION COMMENTS | | REV. |
| 02.29.12 | E.C.N. #11802. | | A |

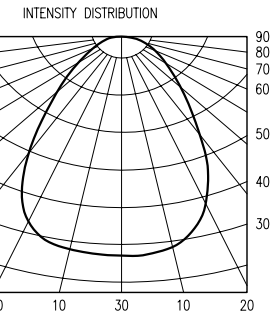


[A] ELECTRO-OPTICAL CHARACTERISTICS $T_a=25^{\circ}\text{C}$ $V_f=12\text{V AC/DC}$

| PARAMETER | MIN | TYP | MAX | UNITS |
|-----------------------------|-------------|-------|-----|----------|
| INPUT VOLTAGE | | 12 | | V AC/DC |
| ENERGY USED | | 5 | | W |
| TOTAL LUMENS | | 320 | | LUMENS |
| BEAM ANGLE | | 50 | | 2x theta |
| COLOR TEMPERATURE | | 3000 | | °K |
| COLOR RENDERING INDEX (CRI) | 80 | | | |
| OPERATING TEMPERATURE | -20 | | -40 | °C |
| LIFE HOURS | | 25000 | | HRS |
| EMITTED COLOR: | WARM WHITE | | | |
| LENS FINISH: | WATER CLEAR | | | |

NOTES:

- SSP-M16MW012E05
GU5.3 12V AC/DC
5W 3000K 50°
MADE IN TAIWAN
- (MEANS NON-DIMMABLE)



*UNLESS OTHERWISE SPECIFIED TOLERANCES PER DECIMAL PRECISION ARE: X=±1 (±0.039), X.X=±0.5 (±0.020), X.XX=±0.25 (±0.010), X.XXX=±0.127 (±0.005). LEAD SIZE=±0.05 (±0.002), LEAD LENGTH=±0.75 (±0.030). MIN= ^{+DECIMAL}PRECISION MAX= ^{+0.00}_{-0.00}DECIMAL PRECISION

LUMEX
Creating LED and LCD Solutions Together™

290 E. HELEN ROAD
PALATINE, IL 60067-6976
PHONE: +1.847.359.2790
FAX: +1.847.359.6538
WEB: WWW.LUMEX.COM

LED MR16, 3000K, 12V, AC/DC, 50°, 5W CRI>80.

THE SPECIFICATIONS MAY CHANGE AT ANY TIME WITHOUT NOTICE DUE TO NEW MATERIALS OR PRODUCT IMPROVEMENT.

CONFIDENTIAL INFORMATION
THE INFORMATION CONTAINED IN THIS DOCUMENT IS THE PROPERTY OF LUMEX INC. EXCEPT AS SPECIFICALLY AUTHORIZED IN WRITING BY LUMEX INC., THE HOLDER OF THIS DOCUMENT SHALL KEEP ALL INFORMATION CONTAINED HEREIN CONFIDENTIAL AND SHALL PROTECT SAME IN WHOLE OR IN PART FROM DISCLOSURE AND DISSEMINATION TO ALL THIRD PARTIES.

| | | | |
|--------|-----------|-----------|----|
| DATE: | 12.02.11 | DRAWN BY: | AB |
| PAGE: | 1 OF 2 | CHKD BY: | KF |
| SCALE: | NTS | APRVD BY: | KF |
| UNIT: | mm [INCH] | | |