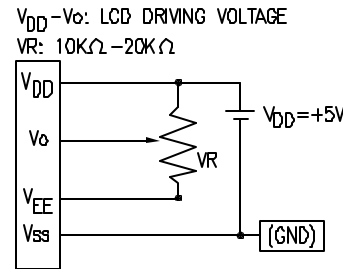
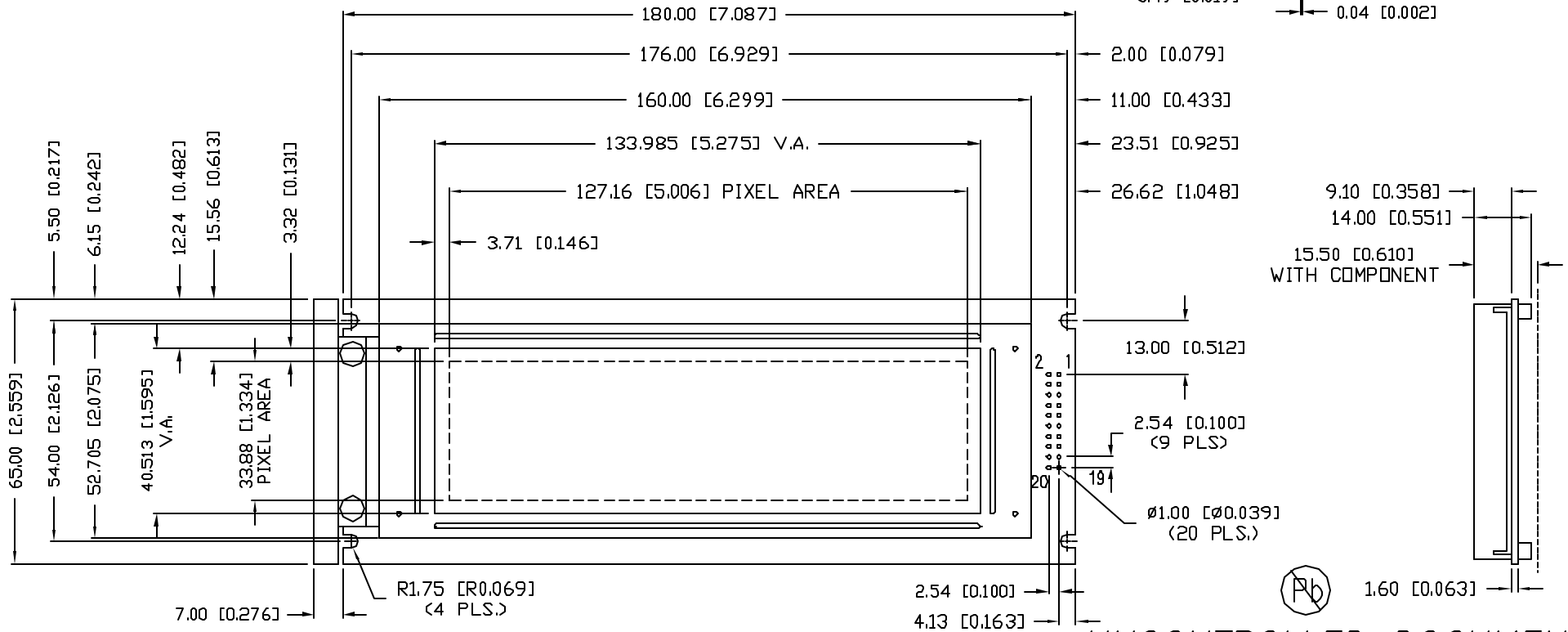
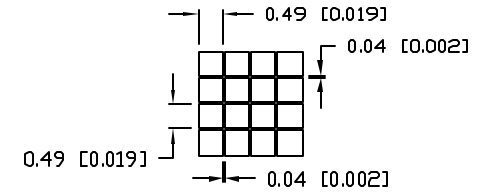


CAUTION: STATIC SENSITIVE DEVICE
FOLLOW PROPER E.S.D. HANDLING PROCEDURES
WHEN WORKING WITH THIS PART.



PIXEL DETAIL



REV.

PART NUMBER

LCM-S24064GSF

240 x 64 DOT MATRIX GRAPHIC MODULE, 1/64 DUTY,
WITH NEGATIVE CHARGE PUMP, STN, TRANSFLECTIVE, LED BKLT.

CONFIDENTIAL INFORMATION

THE INFORMATION CONTAINED IN THIS DOCUMENT IS THE PROPERTY OF LUMEX INC. EXCEPT AS SPECIFICALLY AUTHORIZED IN WRITING BY LUMEX INC., THE HOLDER OF THIS DOCUMENT SHALL KEEP ALL INFORMATION CONTAINED HEREIN CONFIDENTIAL AND SHALL PROTECT SAME IN WHOLE OR IN PART FROM DISCLOSURE AND DISSEMINATION TO ALL THIRD PARTIES.

RELIABILITY NOTE

OUR MANY YEARS OF EXPERIENCE DATA ACCUMULATION INDICATE THAT SOLDER HEAT IS A MAJOR CAUSE OF EARLY AND FUTURE FAILURE. PLEASE PAY ATTENTION TO YOUR SOLDERING PROCESS.



290 E. HELEN ROAD
PALATINE, IL 60067-6976
PHONE: +1.847.359.2790
US WEB: www.lumex.com
TW WEB: www.lumex.com.tw

DRAWN BY:

CHECKED BY:

APPROVED BY:

DATE: 06.20.08

JN

PAGE: 1 OF 2

SCALE: N/A

PRELIMINARY IN P/N DIR

ELECTRICAL CHARACTERISTICS

ITEM	SYMBOL	CONDITION	MIN	TYP	MAX	UNIT
POWER SUPPLY VOLTAGE FOR LOGIC	VDD	Ta=25°C	4.5	5.0	5.5	V
POWER SUPPLY CURRENT FOR LOGIC	IDD	VDD-VSS=5V	-	16.0	25.0	mA
INPUT VOLTAGE	VIH	HIGH LEVEL	2.2	-	VDD	V
INPUT VOLTAGE	VIL	LOW LEVEL	-	-	0.6	V
OUTPUT VOLTAGE	VOH	HIGH LEVEL	2.4	-	-	V
OUTPUT VOLTAGE	VOL	LOW LEVEL	-	-	0.4	V
POWER SUPPLY VOLTAGE FOR LCD DRIVE (0°C TO 50°C)	VDD-Vo	VDD=5V Ta=25°C	12.2	13.6	14.5	V
POWER SUPPLY VOLTAGE FOR LCD DRIVE (-20°C TO +70°C)	VDD-Vo	VDD=5V Ta=25°C	12.6	14.1	14.9	V
LED BACKLIGHT VOLTAGE	Vf	If= 690	-	4.2	4.6	V
LED BACKLIGHT INTENSITY	Iv	If= 690	120	180	-	cd/m ²
LED POWER DISSIPATION	PAD	If= 990	-	-	5	W

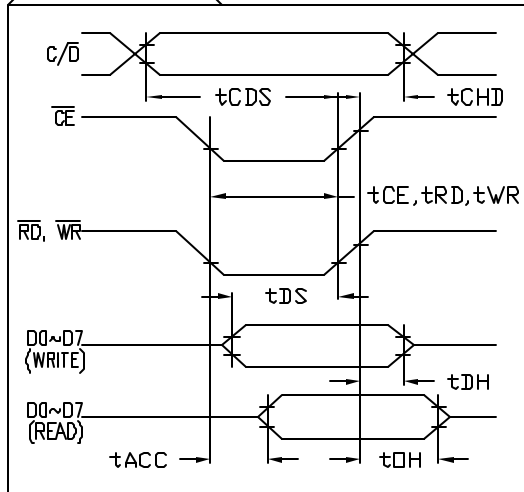
ELECTRIC MAXIMUM RATING

ITEM	SYMBOL	MIN	TYP	MAX	UNIT
POWER SUPPLY FOR LCD DRIVE	VDD-Vo	0	-	22.0	V
POWER SUPPLY FOR LOGIC	VDD-VSS	0	-	7.0	V
INPUT VOLTAGE	VI	VSS	-	VDD	V

TIMING CHARACTERISTICS

PARAMETER	SYMBOL	MIN	MAX	UNIT
C/D SETUP TIME	tCDS	100	-	ns
C/D HOLD TIME	tCDH	10	-	ns
CE, RD, WR PULSE WIDTH	tCE, tRD, tWR	80	-	ns
DATA SETUP TIME	tDS	80	-	ns
DATA HOLD TIME	tDH	40	-	ns
ACCESS TIME	tACC	-	150	ns
OUTPUT HOLD TIME	tOH	10	50	ns

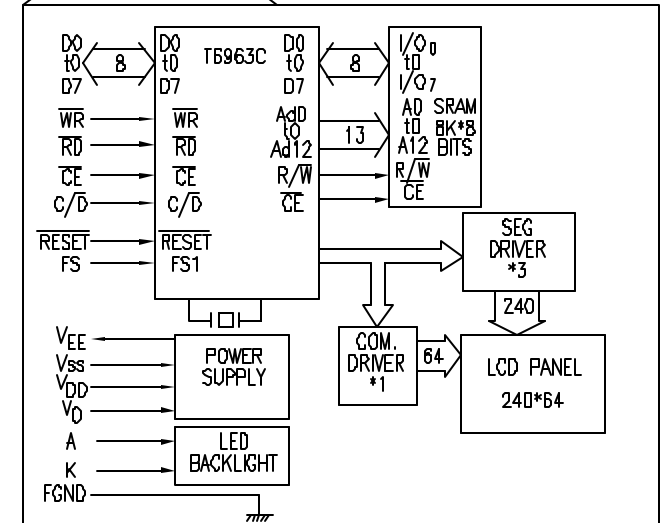
BUS TIMING



PIN CONFIGURATION

PIN #	SYMBOL	LEVEL	FUNCTION
1	FGND	-	FRAME GROUND (CONNECTED TO METAL BEZEL)
2	GND	0V	SIGNAL GROUND
3	VDD	+5V	POWER SUPPLY
4	Vo	-	CONTRAST ADJUSTMENT VOLTAGE
5	WR	L	DATA WRITE
6	RD	L	DATA READ
7	CE	L	CHIP ENABLE
8	C/D	H/L	WR="L", C/D="H": COMMAND WRITE C/D="L": DATA WRITE RD="L", C/D="H": COMMAND READ C/D="L": DATA READ
9	VEE	-15V	OUTPUT VOLTAGE FOR LCD DRIVING
10	RESET	L	CONTROL RESET (MODULE RESET)
11~18	D0~D7	H/L	DATA BUS
19	FS	H/L	FONT SELECT "H": 6 x 8 PIXEL/FONT "L": 8 x 8 PIXEL/FONT
20	N/C	-	NO CONNECTION

BLOCK DIAGRAM



UNCONTROLLED DOCUMENT

REV.

PART NUMBER

LCM-S24064GSF

CONFIDENTIAL INFORMATION

THE INFORMATION CONTAINED IN THIS DOCUMENT IS THE PROPERTY OF LUMEX INC. EXCEPT AS SPECIFICALLY AUTHORIZED IN WRITING BY LUMEX INC, THE HOLDER OF THIS DOCUMENT SHALL KEEP ALL INFORMATION CONTAINED HEREIN CONFIDENTIAL AND SHALL PROTECT SAME IN WHOLE OR IN PART FROM DISCLOSURE AND DISSEMINATION TO ALL THIRD PARTIES.

RELIABILITY NOTE

OUR MANY YEARS OF EXPERIENCE DATA ACCUMULATION INDICATE THAT SOLDER HEAT IS A MAJOR CAUSE OF EARLY AND FUTURE FAILURE. PLEASE PAY ATTENTION TO YOUR SOLDERING PROCESS.



290 E. HELEN ROAD
PALATINE, IL 60067-6976
PHONE: +1.847.359.2790
US WEB: www.lumex.com
TW WEB: www.lumex.com.tw

240 x 64 DOT MATRIX GRAPHIC MODULE, 1/64 DUTY,
WITH NEGATIVE CHARGE PUMP, STN, TRANSFLECTIVE, LED BKL.

DRAWN BY:

CHECKED BY:

APPROVED BY:

DATE: 06.20.08

JN

PAGE: 2 OF 2

SCALE: N/A