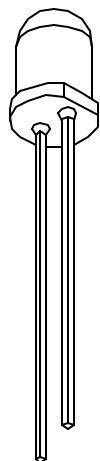
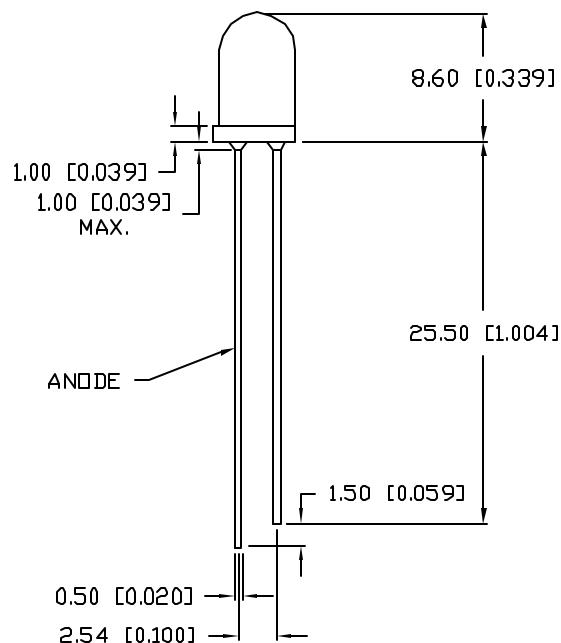
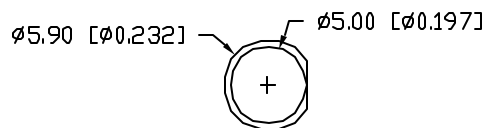


UNCONTROLLED DOCUMENT

PART NUMBER
SSL-LX5093PC

REV.



ELECTRO-OPTICAL CHARACTERISTICS $T_A=25^\circ\text{C}$

| PARAMETER | SYMBOL | MIN | TYP | MAX | UNITS | TEST COND |
|---------------------|-------------|-----|------|-----|----------|---------------------|
| PEAK WAVELENGTH | | | - | | nm | |
| FORWARD VOLTAGE | V_f | | 3.2 | 4.0 | V | $I_f=20\text{mA}$ |
| REVERSE VOLTAGE | V_r | 5 | | | V | $I_r=10\mu\text{A}$ |
| AXIAL INTENSITY(*1) | I_v | 900 | 2200 | | mcd | $I_f=20\text{mA}$ |
| CHROMATICITY | X | | 0.33 | | | $I_f=20\text{mA}$ |
| COORDINATES(*2) | Y | | 0.20 | | | |
| VIEWING ANGLE | | | 20 | | 2x theta | |
| EMITTED COLOR: | PINK | | | | | |
| EPOXY LENS FINISH: | WATER CLEAR | | | | | |

*1. AXIAL INTENSITY TESTING CONDITION: 550nm WAVELENGTH.
*2. THE ICI STANDARD COLORIMETRIC SYSTEM.

LIMITS OF SAFE OPERATION AT 25°C

| PARAMETER | SYMBOL | MAX | UNITS |
|-----------------------|-----------|------------|------------|
| PULSE FORWARD CURRENT | I_p | 100* | mA |
| STEADY CURRENT | I_F | 30 | mA |
| POWER DISSIPATION | P_D | 120 | mW |
| OPERATING TEMP. | T_{OPR} | -40 TO +85 | °C |
| STORAGE TEMP. | T_{STG} | -40 TO +85 | °C |
| SOLDERING TEMP. | | +260 | °C |
| 2.0mm FROM BODY | | | 3 SEC. MAX |

*DUTY 1/10 PULSE WIDTH 10ms

CAUTION: STATIC SENSITIVE DEVICE
FOLLOW PROPER E.S.D. HANDLING PROCEDURES
WHEN WORKING WITH THIS PART.



UNCONTROLLED DOCUMENT

*UNLESS OTHERWISE SPECIFIED TOLERANCES PER DECIMAL PRECISION ARE: X=±1 (±0.039), X.X=±0.5 (±0.020), X.XX=±0.25 (±0.010), X.XXX=±0.127 (±0.005), LEAD SIZE=±0.08 (±0.002), LEAD LENGTH=±0.75 (±0.030), MIN= +0.00 DECIMAL PRECISION MAX.= +0.00 DECIMAL PRECISION

REV.

PART NUMBER
SSL-LX5093PC

T-5mm PINK LED,
WATER CLEAR LENS.

CONFIDENTIAL INFORMATION
THE INFORMATION CONTAINED IN THIS DOCUMENT IS THE PROPERTY OF LUMEX INC. EXCEPT AS SPECIFICALLY AUTHORIZED IN WRITING BY LUMEX INC, THE HOLDER OF THIS DOCUMENT SHALL KEEP ALL INFORMATION CONTAINED HEREIN CONFIDENTIAL AND SHALL PROTECT SAME IN WHOLE OR IN PART FROM DISCLOSURE AND DISSEMINATION TO ALL THIRD PARTIES.

RELIABILITY NOTE
OUR MANY YEARS OF EXPERIENCE DATA ACCUMULATION INDICATE THAT SOLDER HEAT IS A MAJOR CAUSE OF EARLY AND FUTURE FAILURE. PLEASE PAY ATTENTION TO YOUR SOLDERING PROCESS.



290 E. HELEN ROAD
PALATINE, IL 60067-6976
PHONE: +1.847.359.2790
US WEB: www.lumex.com
TW WEB: www.lumex.com.tw

| | | | |
|-----------------|-------------|--------------|----------------|
| DRAWN BY: JN | CHECKED BY: | APPROVED BY: | DATE: 02.26.08 |
| | | | PAGE: 1 OF 1 |
| | | | SCALE: N/A |