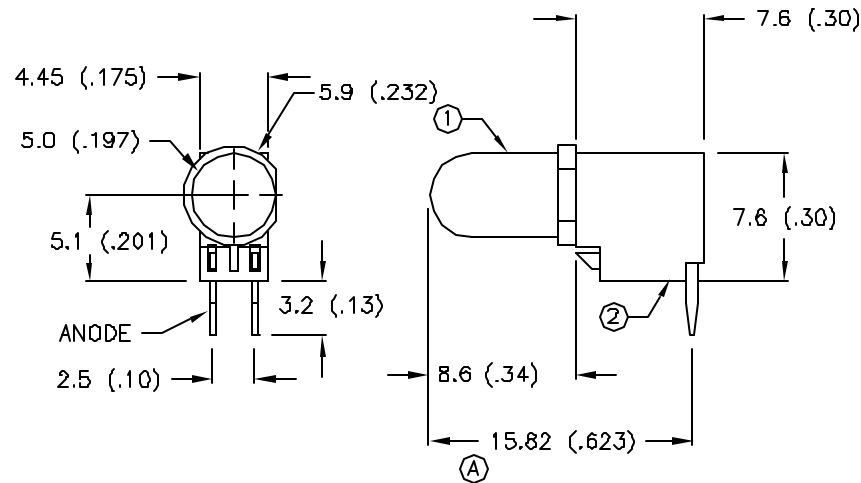


DATE	REVISIONS	REV
7-5-95	UPDATED SPECS. & DIM WHERE NOTED./	A

DRAWING NUMBER	REV
SSF-LXH4RA5LID	A

ELECTRO-OPTICAL CHARACTERISTICS TA=25 °C If=20mA

PARAMETER	MIN	TYP	MAX	UNITS	TEST COND
PEAK WAVELENGTH		635 (RED)		nm	
FORWARD VOLTAGE		2.1	2.8	V _f	
REVERSE VOLTAGE	5.0			V _r	I _f =100uA
AXIAL INTENSITY		40		mcd	I _f =20mA I _f =2mA
VIEWING ANGLE		60		2x theta	
EMITTED COLOR :		RED			
EPOXY LENS FINISH:		RED DIFFUSED			



NOTES:

1. SSL-LX5093LID LED.
2. IFS-LX4FRA-1 LAMP SOCKET.
3. CUT LED LEADS 5mm LONG.
4. ASSEMBLE IN SOCKET, POLARITY AS SHOWN.

LIMITS OF SAFE OPERATION AT 25 DEG. C		
PARAMETER	MAX	UNITS
PEAK FORWARD CURRENT	150	mA
STEADY CURRENT	30	mA
POWER DISSIPATION	105	mW
DERATE FROM 25 °C	-1.2	mW/ °C
OPERATING, STORAGE TEMP.	-40 TO +85	°C
LEAD SOLDERING TEMP.	+260	°C
2.0mm FROM BODY		3 SEC. MAX

* t<10uS



292 E. HELLEN ROAD
PALATINE, ILLINOIS 60067
(708) 359-2790

DATE: 8-23-93	APPROVED BY:	DRAWN BY:
SCALE: DO NOT SCALE		

T-1 3/4 LAMP, RED FAULT INDICATOR, LOW CURRENT SELECTION

PAGE 1 OF 1	DRAWING NUMBER SSF-LXH4RA5LID	REV A
-------------	----------------------------------	----------