

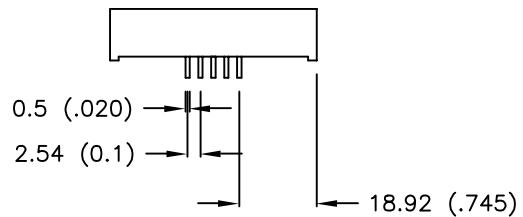
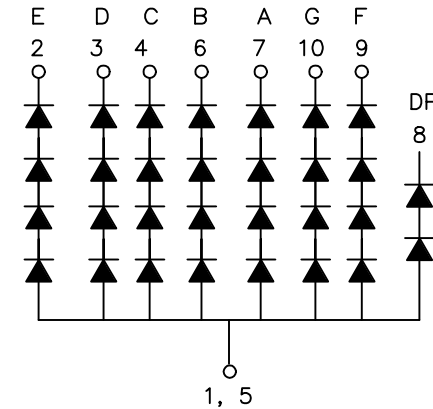
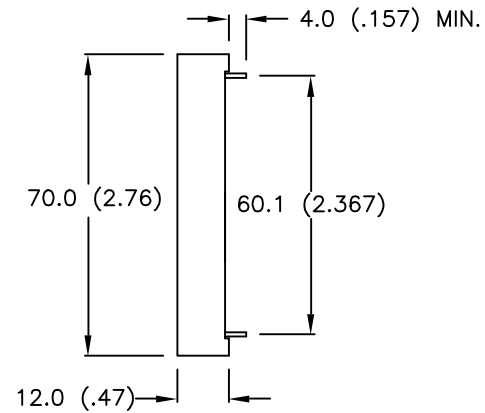
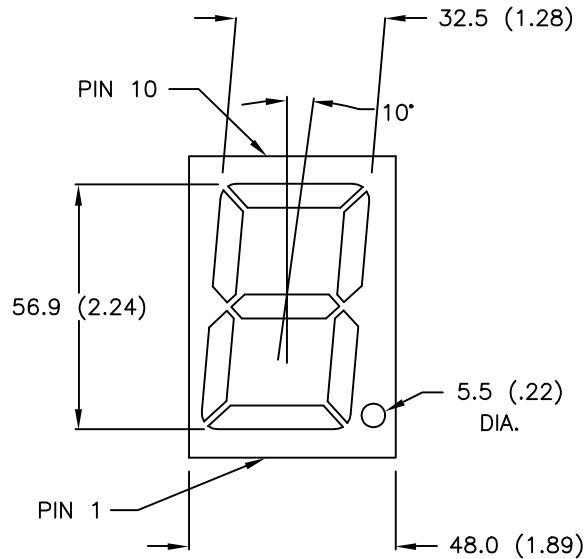
DATE

REVISIONS

REV

DRAWING NUMBER  
LDS-AD12RI

REV



COLORS	$T_A=25^\circ\text{C}$ ABSOLUTE MAXIMUM RATINGS PER LED CHIP						$T_A=25^\circ\text{C}$ ELECTRO-OPTICAL CHARACTERISTICS					
	EMITTED	VR	IF	IFP	PD	TOPR	IF	V <sub>F</sub> TYP	V <sub>F</sub> MAX	I <sub>V</sub> TYP	I <sub>R</sub> MAX	I <sub>P</sub>
FONT	SEGMENT	V	mA	mA	mw	°C	mA	V	V	ucd	uA	nm
GREEN		5	25	150	105	-40~+85°C	10	8.4	10.0	6300	100	565
GRAY	WHITE											

## NOTES:

- ALL DIMENSIONS ARE IN MILLIMETERS (INCHES). TOLERANCE IS 0.25 (0.01") UNLESS OTHERWISE SPECIFIED.
- I<sub>V</sub> TESTED CONDITION I<sub>F</sub>=10mA AND THE LISTED I<sub>V</sub> IS THE AVERAGE INTENSITY FOR EVERY SEGMENT LISTED.

**LUMEX**  
OPTO COMPONENTS INC.

290 E. HELLEN ROAD  
PALATINE, ILLINOIS 60067  
(847) 359-2790

CONFIDENTIAL INFORMATION  
THE INFORMATION CONTAINED IN THIS DOCUMENT IS THE PROPERTY OF LUMEX OPTO/COMPONENTS, INC. EXCEPT AS SPECIFICALLY AUTHORIZED IN WRITING BY LUMEX OPTO/COMPONENTS, INC., THE HOLDER OF THIS DOCUMENT SHALL KEEP ALL INFORMATION CONTAINED HEREIN CONFIDENTIAL AND SHALL PROTECT SAME IN WHOLE OR IN PART FROM DISCLOSURE AND DISSEMINATION TO ALL THIRD PARTIES.

DATE: 3-25-97	DWN:	CHK'D:	APPD:
SCALE: N/A			

2.3" GREEN SEVEN SEGMENT DISPLAY

PAGE 1 OF 1

DRAWING NUMBER  
LDS-AD12RI

REV