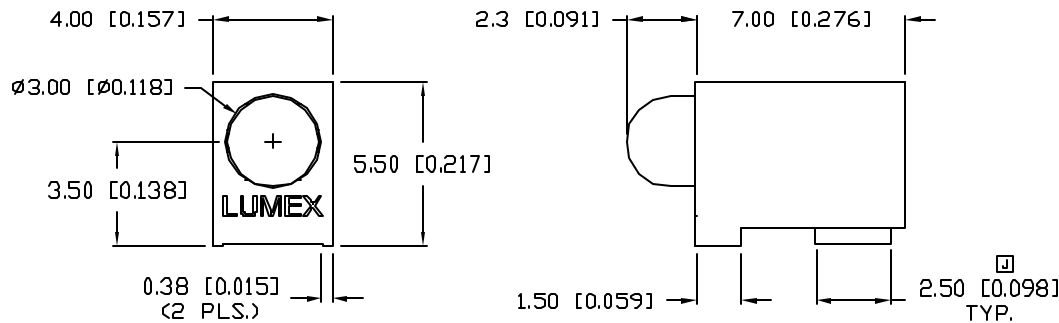
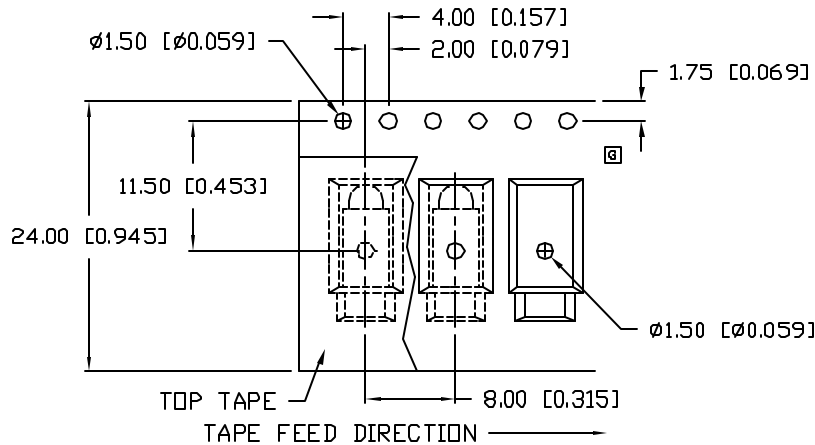
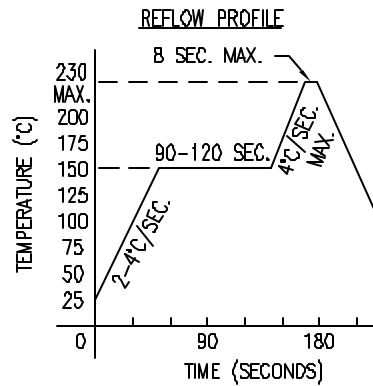
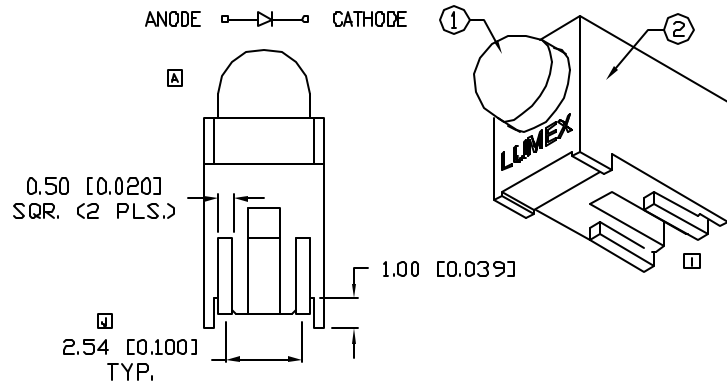


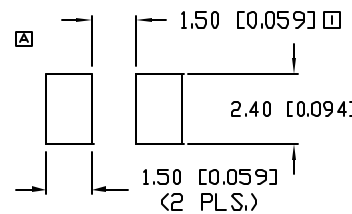
UNCONTROLLED DOCUMENT



PATENT PENDING



RECOMMENDED SOLDER PAD LAYOUT



PART NUMBER		REV.
SSF-LXH305GD(-TR)		J
REV.	E.C.N. NUMBER AND REVISION COMMENTS	DATE
A	ADDED SOLDER PROFILE.	5.13.94
B	UPDATED SAFE OPER SPECS.	9.12.94
C	UPDATED SAFE OPER SPECS.	11.16.94
D	CORRECTED PROTRUSION	3.13.95
E	ADDED TAPE AND REEL OPTION.	7.5.95
F	E.C.N. #10BRDR. & REDRAWN.	10.15.97
G	E.C.N. #10625.	5.22.00
H	E.C.N. #10683.	11.30.00
I	E.C.N. #10782.	9.4.01
J	E.C.N. #10855	4.22.02

ELECTRO-OPTICAL CHARACTERISTICS $T_A=25^\circ\text{C}$ $I_f=20\text{mA}$

PARAMETER	MIN	TYP	MAX	UNITS	TEST COND
PEAK WAVELENGTH		565		nm	
FORWARD VOLTAGE		2.2	2.6	V_f	
REVERSE VOLTAGE	5.0			V_r	$I_f=100\mu\text{A}$
AXIAL INTENSITY		30		mcd	$I_f=20\text{mA}$
VIEWING ANGLE		60		2x theta	
EMITTED COLOR:	GREEN				
EPOXY LENS FINISH:	GREEN DIFFUSED				

LIMITS OF SAFE OPERATION AT 25°C

PARAMETER	MAX	UNITS
PEAK FORWARD CURRENT*	150	mA
STEADY CURRENT	25	mA
POWER DISSIPATION	105	mW
DERATE FROM 25°C	-1.6	mW/°C
OPERATING, STORAGE TEMP.	-40 TO +85	°C
SOLDERING TEMP.	+230	°C

* $t < 10\mu\text{s}$ 3 SEC. MAX

- NOTES:
- SSL-LX305F4GD, GREEN LED.
 - SSH-LXH305, BLACK HOLDER.
 - TR SUFFIX TO DESIGNATE TAPE AND REEL SUPPLIED.
 - CARRIER TAPE #LXP-CARRIER24-56.

UNCONTROLLED DOCUMENT

*UNLESS OTHERWISE SPECIFIED TOLERANCES PER DECIMAL PRECISION ARE: X=±1 (±0.039), XX=±0.5 (±0.020), XXX=±0.25 (±0.010), XXXX=±0.127 (±0.005), LEAD SIZE=±0.05 (±0.002), LEAD LENGTH=±0.75 (±0.030), MIN=+DECIMAL PRECISION -0.00, MAX.=+0.00 -DECIMAL PRECISION

REV.	PART NUMBER
J	SSF-LXH305GD(-TR)
T-3mm (T-1) RIGHT ANGLE SURFACE MOUNT LED, 565nm GREEN LED, GREEN DIFFUSED LENS, TAPE AND REEL.	

CONFIDENTIAL INFORMATION
 THE INFORMATION CONTAINED IN THIS DOCUMENT IS THE PROPERTY OF LUMEX INC. EXCEPT AS SPECIFICALLY AUTHORIZED IN WRITING BY LUMEX INC., THE HOLDER OF THIS DOCUMENT SHALL KEEP ALL INFORMATION CONTAINED HEREIN CONFIDENTIAL AND SHALL PROTECT SAME IN WHOLE OR IN PART FROM DISCLOSURE AND DISSEMINATION TO ALL THIRD PARTIES.

RELIABILITY NOTE
 OUR MANY YEARS OF EXPERIENCE DATA ACCUMULATION INDICATE THAT SOLDER HEAT IS A MAJOR CAUSE OF EARLY AND FUTURE FAILURE. PLEASE PAY ATTENTION TO YOUR SOLDERING PROCESS.

290 E. HELEN ROAD
 PALATINE, IL 60067-6976
 PHONE: +1.847.359.2790
 US WEB: www.lumex.com
 TW WEB: www.lumex.com.tw

DRAWN BY:	CHECKED BY:	APPROVED BY:	DATE:
BC			3.3.94
			PAGE: 1 OF 1
			SCALE: N/A