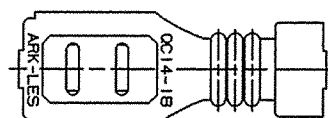
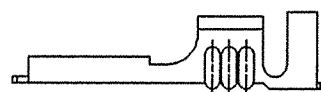
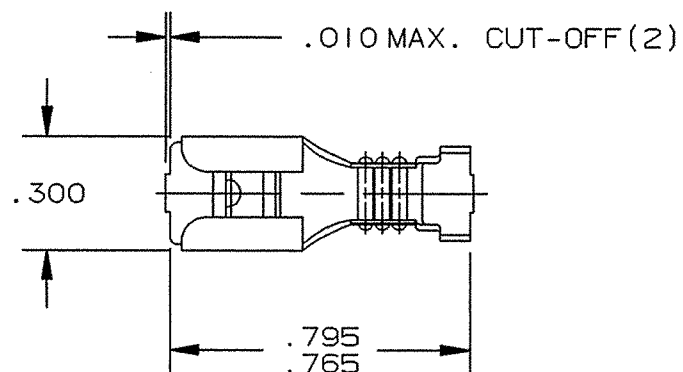


DEPT	
1	1
2	
3	
4	2
5	
6	
7	
8	
9	
10	
11	
12	
NC	
JZ	

PART NAME: FEMALE TERMINAL

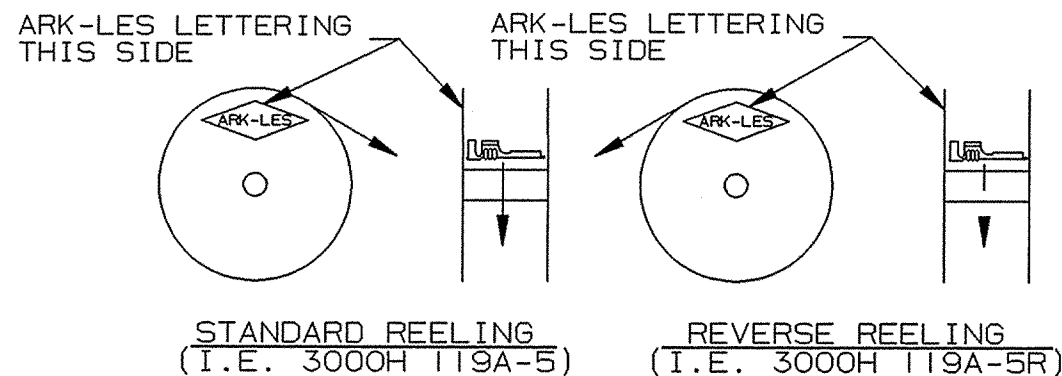
PART NO: 3000H 119/-5

PART NUMBER	MATERIAL	FINISH	Q.C. STAMP
3000H 119A-5	.016 ±.0005 THK. BRASS PRETINNED	SEE MAT'L	YES
3000H 119AB-5	.016 ±.0005 THK. BRASS	NONE	YES



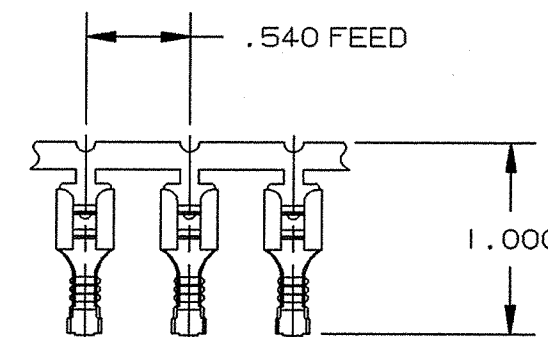
- NOTES:
1. TERMINAL WILL ACCEPT STANDARD .250 X .032 MALE TAB.
 2. TO ACCEPT #14-#18 GAUGE WIRE.
INSULATION RANGE: .113-.171 DIA.
 3. RECOMMENDED STRIP LENGTH: 7/32 ±1/32.
 4. FOR LOOSE PIECE PARTS ADD -1 TO PART NUMBER.
 5. FOR REVERSE REELING ADD SUFFIX "R" TO PART NUMBER AS SHOWN.
 6. FOR PAPER INTERLEAVING ADD SUFFIX "K" TO PART NUMBER.
(I.E. 3000H 119A-5K).
 7. PART MUST CONFORM TO UL 310.

(T)
(U)



REELING DIAGRAMS

ARK-LES
UNCONTROLLED



FABRICATED TERMINAL STRIP

SCALE: FULL

				PROD. REL.	94143	10/1/73	PC	TOLERANCES UNLESS OTHERWISE SPECIFIED:		
				QUOTE REL.				DECIMALS ±.010	METRIC ±0.25mm	ANGLES ±1°
				DR:	R. TASTULA	1/15/01		MATERIAL: SEE TABLE		
				CHK'D:	R.W.T.	11-6-01		FINISH: SEE TABLE		
U	NOTE 7 ADDED PER ECR #12229	10/31/01	RT	APP:	RJB	11-11-01		PART NO: 3000H 119/-5		
T	REVISED PER ECR #12128	1/15/01	RT	SUPERCEDES DWG. DATED: 5/6/92						
REV.	DESCRIPTION	DATE	DR.	SCALE: 2:1	CAD NO: BT00024					

ORIGINAL IF RED