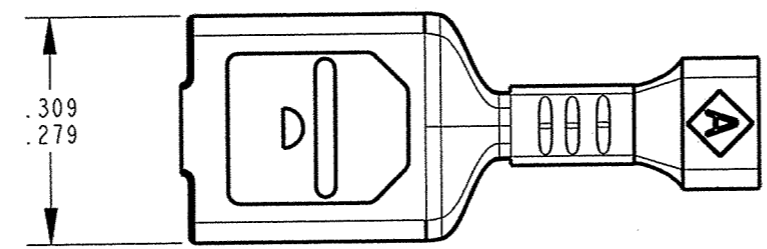
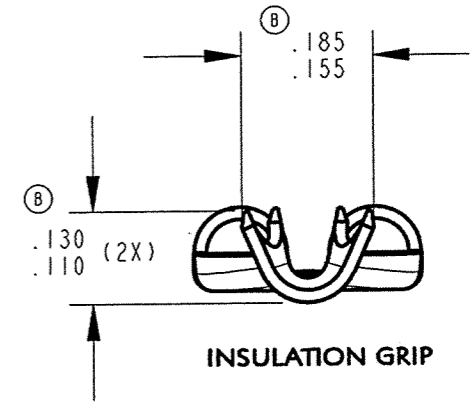
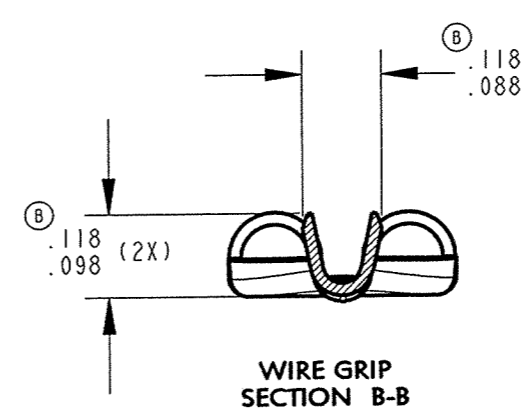
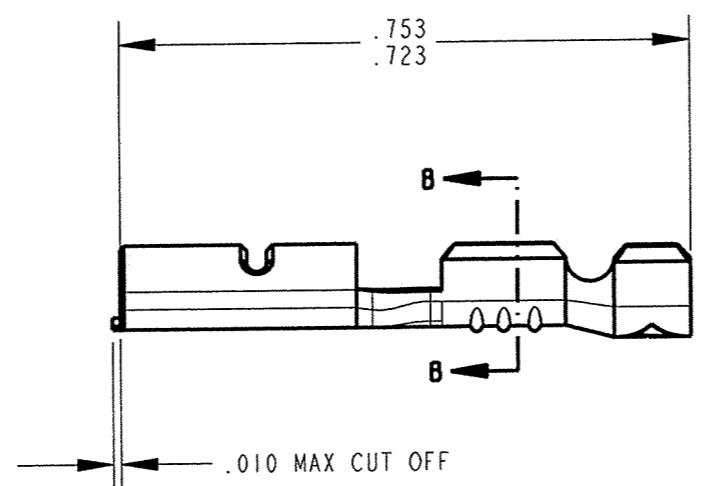
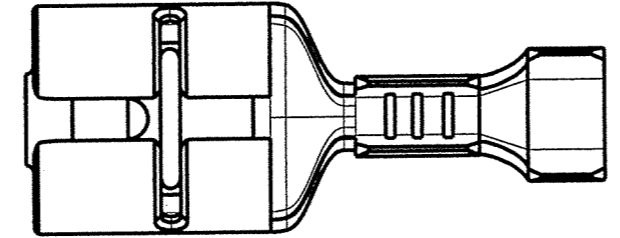
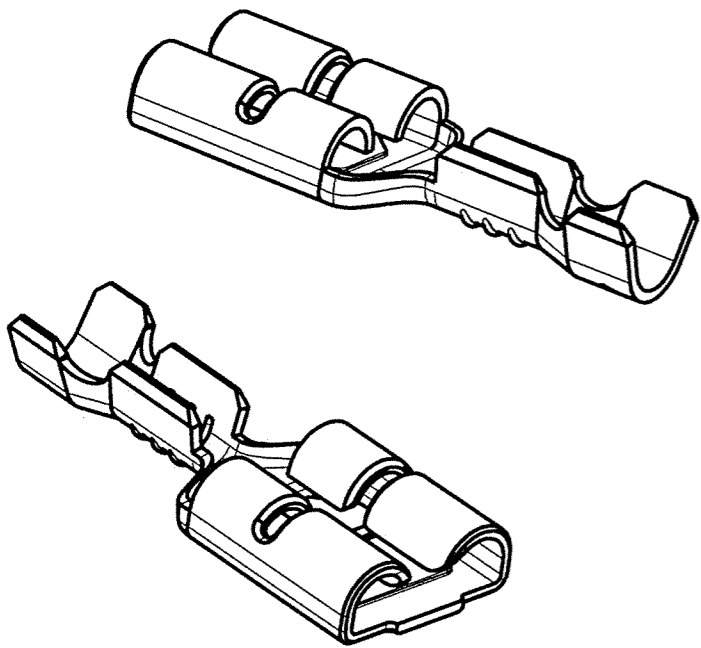


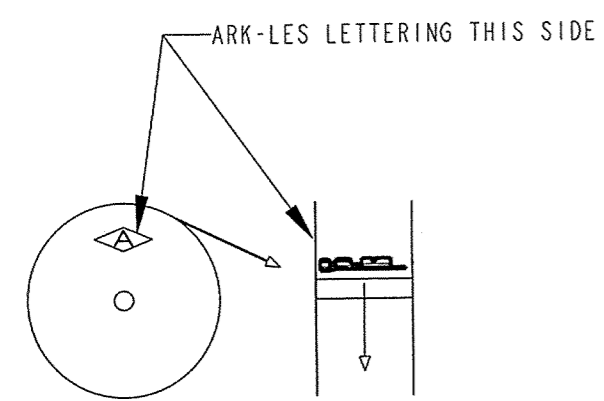
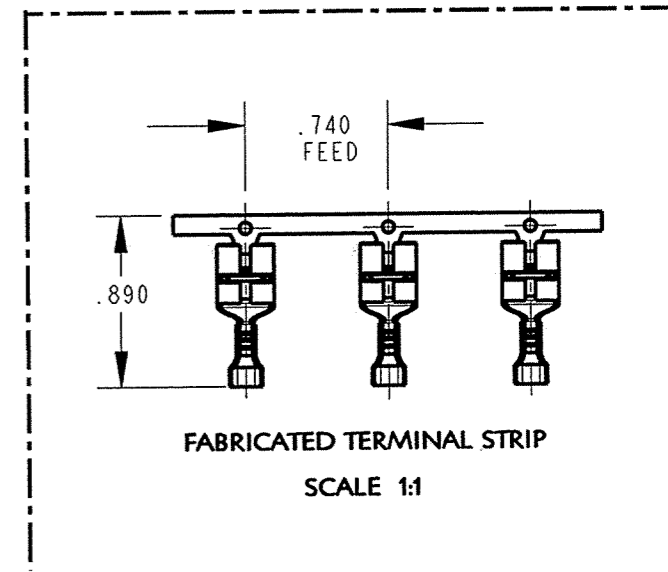
CUSTOMER DRAWING

P/N: 83000132218 REV B

- NOTES:
 1. TO ACCEPT STANDARD .250 X .032 MALE TAB
 2. TO ACCEPT AWG # 22-# 18.
 3. RECOMMENDED STRIP LENGTH 9/32 +/- 1/32.
 4. INSERTION/WITHDRAWAL FORCES TO COMPLY WITH UL 310.



ARK-LES UNCONTROLLED



PRINT DIST.	PROD. REL. ECR#S000005	12-15-03	CHK'D	TOLERANCES UNLESS OTHERWISE SPECIFIED	<p>STOUGHTON, MA</p>
DEPT #	QUOTE REL.		10/19/03	DECIMALS ±.010	
ENG	DRAWN BY	D.O'NEILL 10/28/03	APP.	METRIC ±0.25mm	ORIGINAL IF RED
SALES	SUPERSEDES DWG. DATED:		10/20/03	ANGLES ±1°	FEMALE TERMINAL
STO	SCALE 4:1	DO NOT SCALE PRINT			PART NAME OPEN BARREL, ROLL RAIL .250 X .032, AWG #22-18
RAL	MATERIAL:	.016 ±.001 THICK BRASS, PRETINNED			CAD#: 83000132218-CUST-REVB.drw
JZ	FINISH:	SEE MATERIAL			P/N: 83000132218
CHINA					REV B