

DEPT	1
1	
2	
3	
4	3
5	
6	
7	
8	
9	
10	
11	
12	
NC	
JZ	

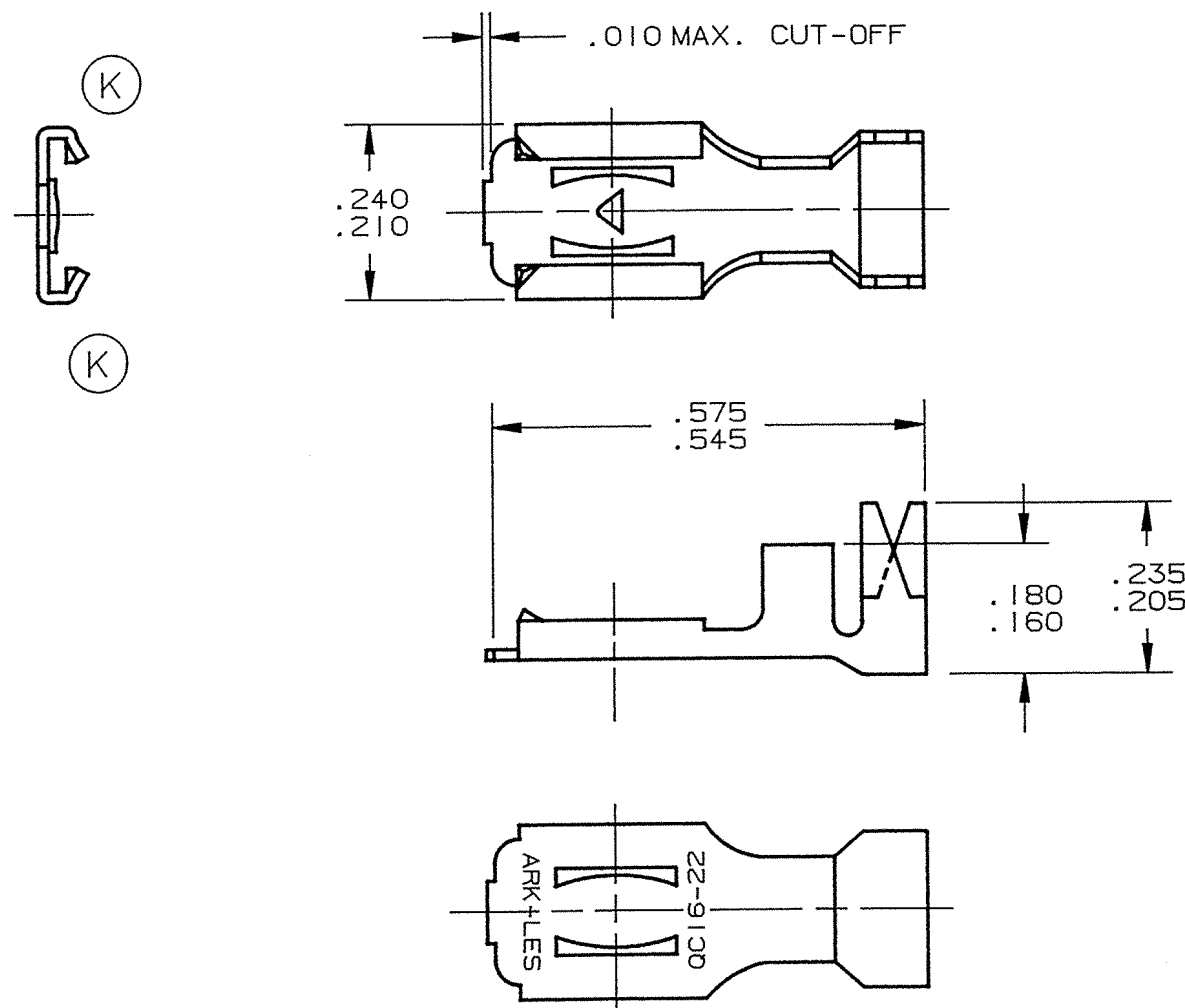
PART NAME:

FEMALE TERMINAL

PART NO:

3500H101A/

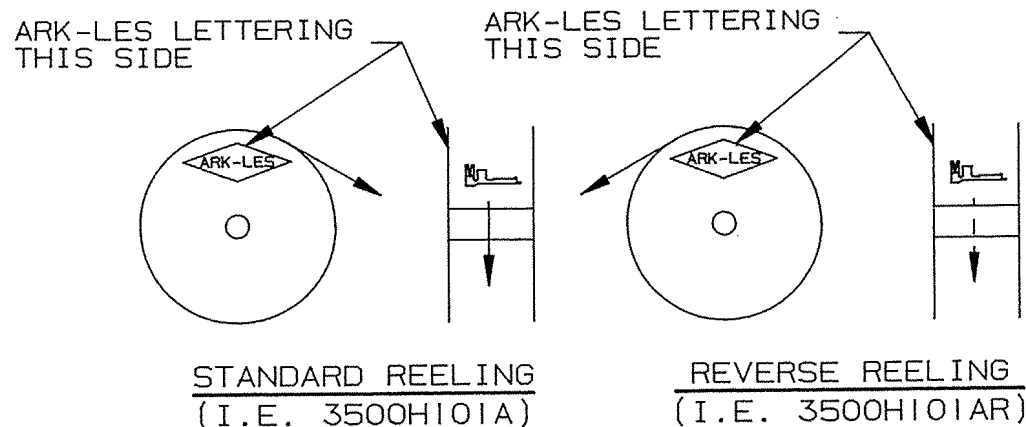
PART NUMBER	MATERIAL	FINISH	Q.C. STAMP
3500H101A	.014 ±.001 TH'K BRASS	PRETINNED	YES
3500H101AB	.014 ±.001 TH'K BRASS	NONE	YES



NOTES:

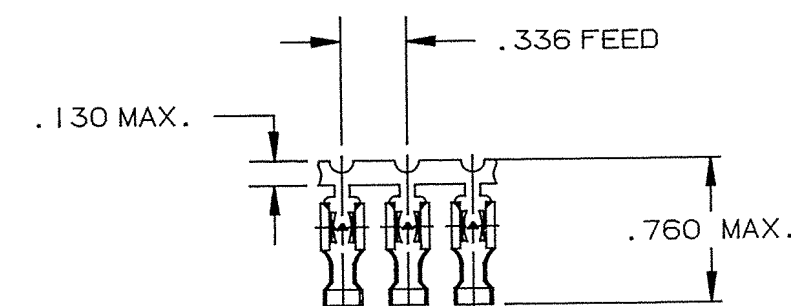
- TO ACCEPT .187 X .020 MALE TAB.
- TO ACCOMMODATE #16-#22 GAUGE WIRE.
- RECOMMENDED STRIP LENGTH: 5/32 ±1/32.
- INSULATION RANGE: .075 - .125 DIA.
- FOR TERMINALS LOOSE PIECE ADD SUFFIX "-1" TO PART NUMBER (I.E. 3500H101A-1).
- FOR REVERSE REELING ADD SUFFIX "R" TO PART NUMBER (I.E. 3500H101AR).
- FOR PAPER INTERLEAVING ADD SUFFIX "K" TO PART NUMBER (I.E. 3500H101AK).
- FOR TERMINALS LESS DIMPLE ADD SUFFIX "-3" TO PART NUMBER (I.E. 3500H101A-3).
- INSERTION/WITHDRAWAL FORCES TO BE AS FOLLOWS WHEN USING MALE TEST TAB CS3500M-6:
 - 1ST INSERTION: 12.0 LBS MAX. 6.0 LBS MIN.
 - 1ST WITHDRAWAL: 20.0 LBS MAX. 5.0 LBS MIN. AVERAGE
 - 6TH WITHDRAWAL: 3.0 LBS MIN. INDIVIDUAL 3.0 LBS MIN. AVERAGE 2.0 LBS MIN. INDIVIDUAL

(K)



REELING DIAGRAMS

Ark-Les
UNCONTROLLED



FABRICATED TERMINAL STRIP

SCALE: FULL

			PROD. REL.	RK 798	8/8/75	PC	TOLERANCES UNLESS OTHERWISE SPECIFIED:		
			QUOTE REL.	98857	6/4/75	PC	DECIMALS ±.010	METRIC ±0.25mm	ANGLES ±1°
			DR:	R. TASTULA	5/11/95		MATERIAL: SEE TABLE		
			CHK'D:	R.W.T.	5-15-95		FINISH: SEE TABLE		
			APP:	COR	9-23-95		PART NO: 3500H101A/		
K	REVISED & REDRAWN PER ECR #10434	5/11/95	RT	SUPERCEDES DWG. DATED:	4/5/93				
REV.	DESCRIPTION	DATE	DR.	SCALE: 4:1	CAD NO: BTU0016				

ORIGINAL