

DEPT
1
2
3
4
5
6
7
8
9
10
11
12
NC
JZ

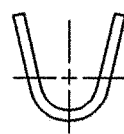
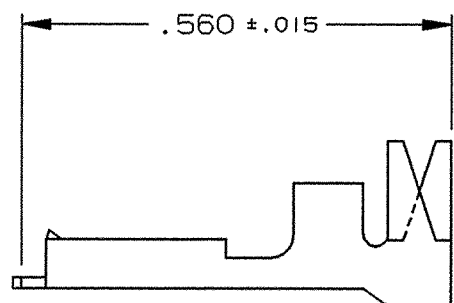
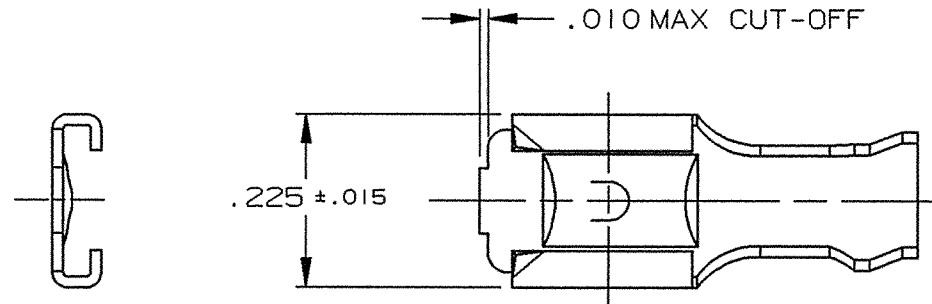
PART NAME:

FEMALE TERMINAL

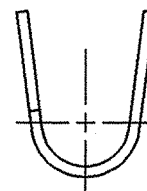
PART NO:

3500H 163E/

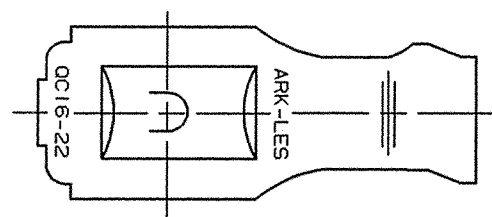
PART NUMBER	MATERIAL	FINISH
3500H 163E	.014 ±.0005 TH'K BRASS C26000, 3/4 HARD TENSILE: 64,000 - 74,000 PSI PRETINNED PCS 1007	SEE MAT'L
3500H 163EB	.014 ±.0005 TH'K BRASS C26000, 3/4 HARD TENSILE: 64,000 - 74,000 PSI	NONE



WIRE GRIP

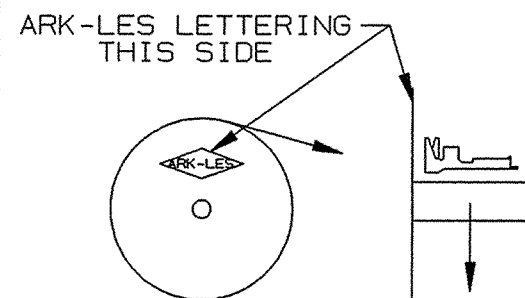


INSULATION GRIP



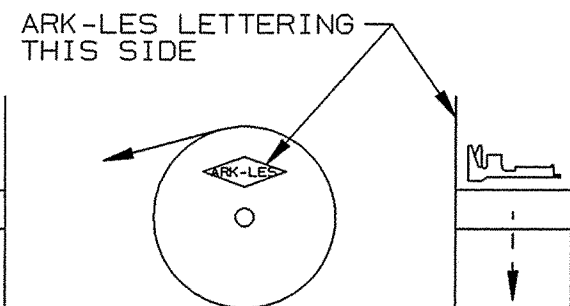
NOTES:

1. TO ACCEPT A .187 X .032 MALE TAB.
2. TO ACCOMMODATE #16 - #22 GAUGE WIRE.
3. INSULATION DIAMETER RANGE: .075 - .125.
4. RECOMMENDED STRIP LENGTH: 5/32 ± 1/32.
5. INSERTION/WITHDRAWAL FORCES TO COMPLY WITH UL 310.
6. FOR LOOSE PIECE PARTS ADD SUFFIX "-1" TO PART NUMBER. (i.e. 3500H 163E-1)
7. FOR STANDARD REELING SEE FIGURE 1.
8. FOR REVERSE REELING ADD SUFFIX "R" TO PART NUMBER. (i.e. 3500H 163ER) SEE FIGURE 2.



STANDARD REELING  
(I.E. 3500H 163E)

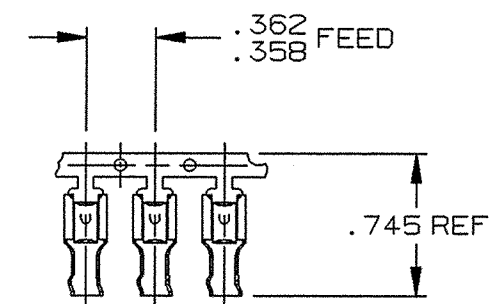
FIGURE 1



REVERSE REELING  
(I.E. 3500H 163ER)

FIGURE 2

**ARK-LES**  
**UNCONTROLLED**



FABRICATED TERMINAL STRIP

SCALE 1=1

				PROD. REL.	66628	5/7/70	RT	TOLERANCES UNLESS OTHERWISE SPECIFIED:		
				QUOTE REL.	66628	4/14/70	RJR	DECIMALS ±.010	METRIC ±0.25mm	ANGLES ±1°
				DR:	R. TASTULA	5/31/02		MATERIAL: SEE TABLE		
				CHK'D:	R.W.T.	6-3-02		FINISH: SEE TABLE		
				APP:	RJB	6-19-02		PART NO: 3500H 163E/		
C	REVISED PER ECR #12295	5/31/02	RT	SUPERCEDES DWG. DATED:						
REV.	DESCRIPTION	DATE	DR.	SCALE: 4:1	CAD NO: BTU0037					

ORIGINAL IF RED