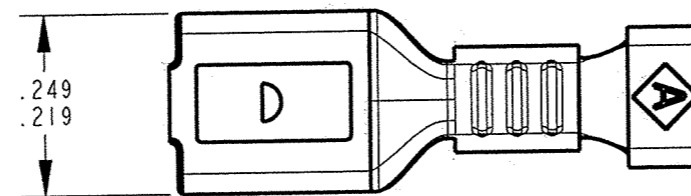
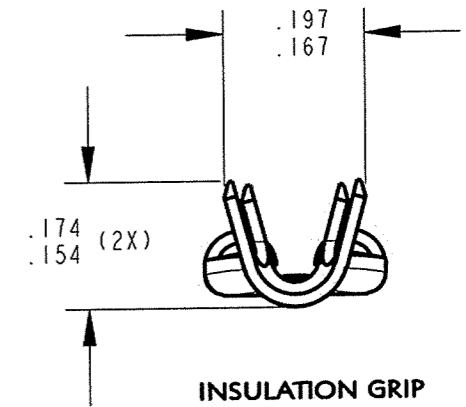
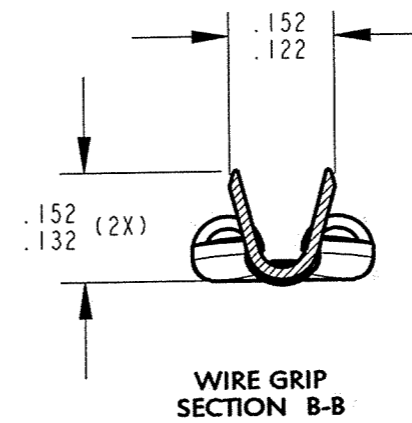
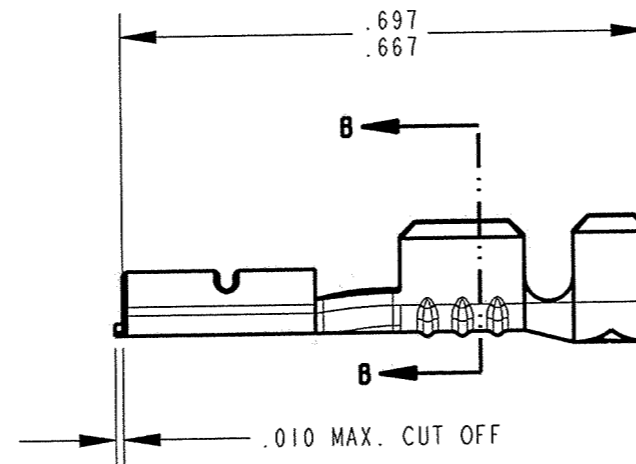
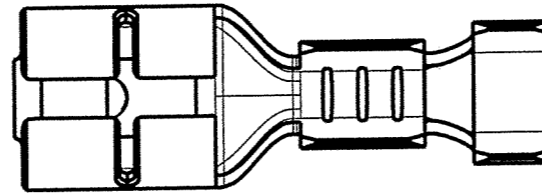
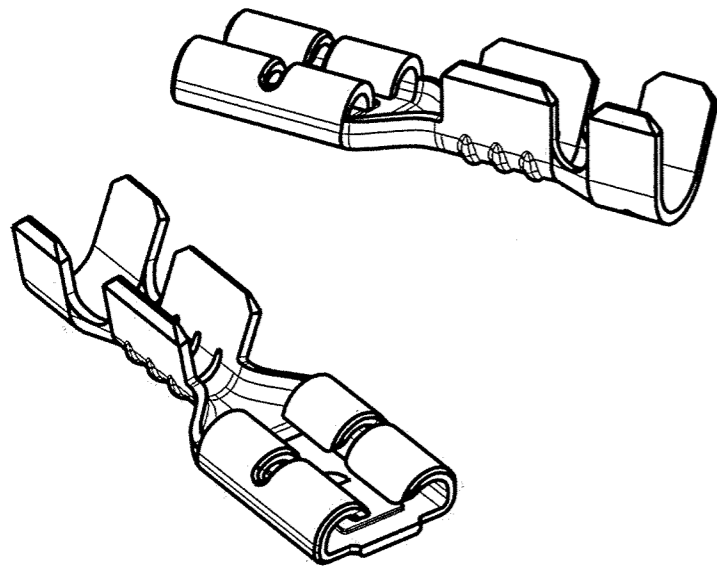


CUSTOMER DRAWING

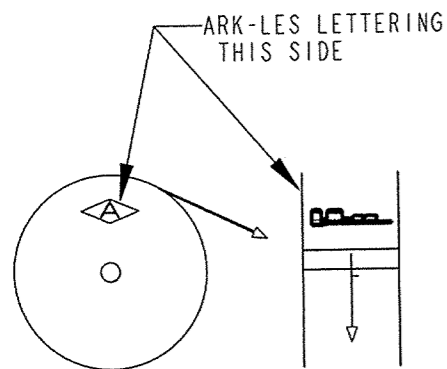
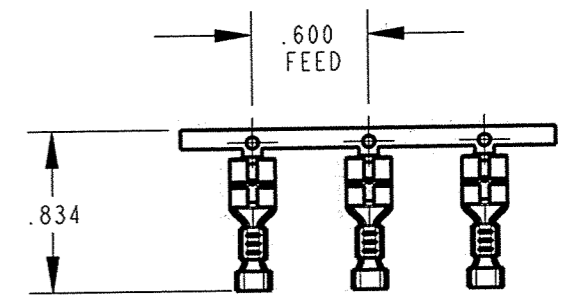
P/N: 83500121614

REV
B

- NOTES:
 1. TO ACCEPT STANDARD .187 X .020 MALE TAB
 2. TO ACCEPT AWG #16 - #14
 3. RECOMMENDED STRIP LENGTH 9/32 +/- 1/32.
 4. INSERTION/WITHDRAWAL FORCES TO COMPLY WITH UL 310.



ARK-LES
UNCONTROLLED



REELING DIAGRAM

PRINT DIST.	PROD. REL.	ECR# S000005	12/15/03	CHK'D	TOLERANCES UNLESS OTHERWISE SPECIFIED
DEPT #	QUOTE REL.			Doyle	DECIMALS ±.010
ENG I.	DRAWN BY	D.O'NEILL	10/28/03	APP.	METRIC ±0.25mm
SALES	SUPERSEDES DWG. DATED:			MD 4-20-0	ANGLES ±1°
STO	SCALE 4:1	DO NOT SCALE PRINT			3RD ANGLE PROJECTION
RAL	MATERIAL:	.016 ±.001 THICK BRASS, PRETINNED			DWG SIZE B
JZ	FINISH:	SEE MATERIAL			
CHINA					

ArkLes CORPORATION STOUGHTON, MA

ORIGINAL IF RED

PART NAME: FEMALE TERMINAL OPEN BARREL, ROLL RAIL .187 X .020, AWG #16-#14

CAD#: 83500121614-CUST-REVB.drw

P/N: 83500121614

REV B