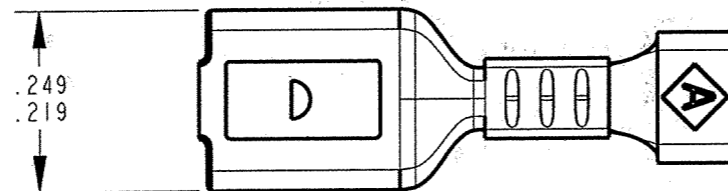
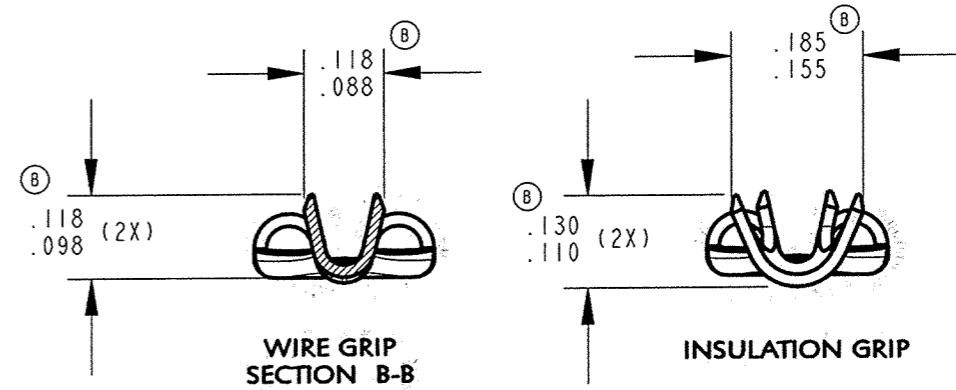
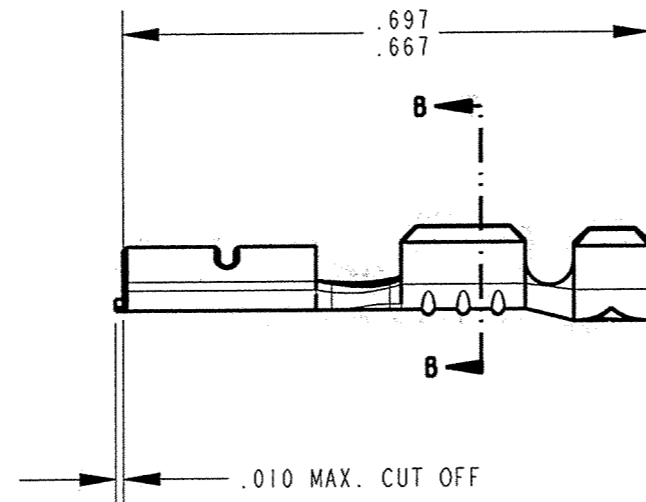
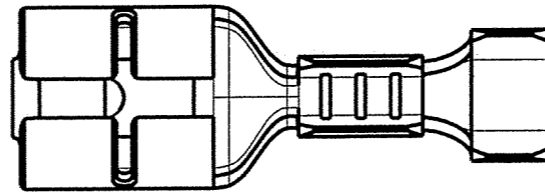
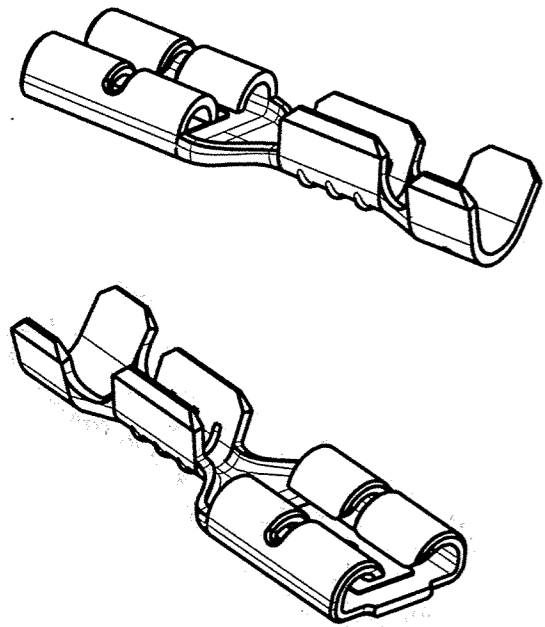


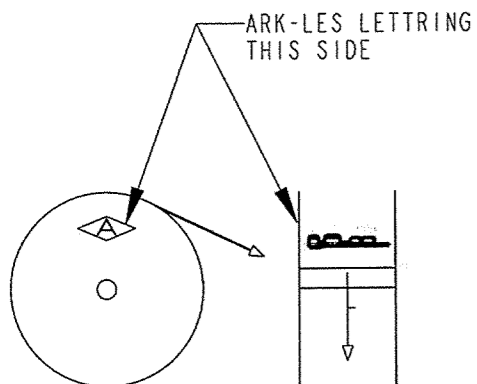
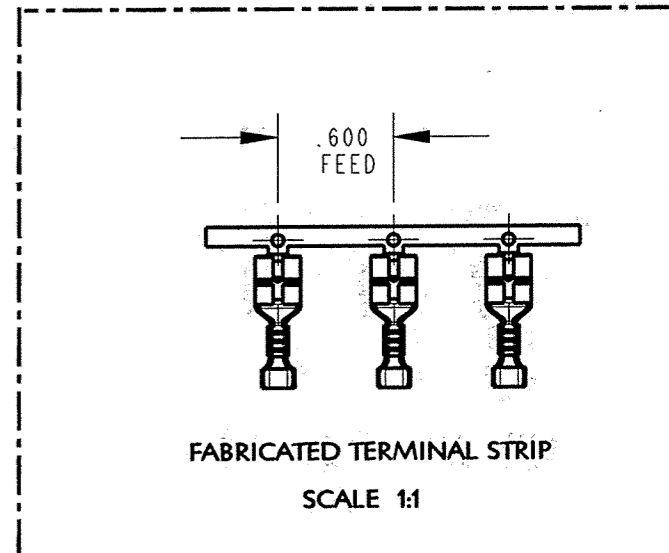
**CUSTOMER DRAWING**

P/N: 83500122218  
REV B

- NOTES:  
 1. TO ACCEPT STANDARD .187 X .020 MALE TAB  
 2. TO ACCEPT AWG #22 - #18  
 3. RECOMMENDED STRIP LENGTH 9/32 +/- 1/32.  
 4. INSERTION/WITHDRAWAL FORCES TO COMPLY WITH UL 310.



ARK-LES  
UNCONTROLLED



REELING DIAGRAM  
NTS

				PRINT DIST.	PROD. REL. ECR#S000005	12-15-03	CHK'D	TOLERANCES UNLESS OTHERWISE SPECIFIED
				DEPT #			APP.	DECIMALS ±.010
				ENG 1				METRIC ±0.25mm
				SALES				ANGLES ±1°
B	REVISED PER ECR#S000120	3/11/05	DON	STO				3RD ANGLE PROJECTION
A	PROD.REL. ECR#S000005	10/28/03	DON	RAL				DWG SIZE B
REV.	DESCRIPTION	DATE	DR.	JZ	MATERIAL: .016 ± .001 THICK BRASS, PRETINNED			
				CHINA	FINISH: SEE MATERIAL			

**ArkLes CORPORATION** STOUGHTON, MA

**ORIGINAL IF RED**

**PART NAME** FEMALE TERMINAL OPEN BARREL, ROLL RAIL .187 X .020, AWG #22-#18

**CAD#:** 83500122218-CUST-REVB.drw

**P/N:** 83500122218

REV B