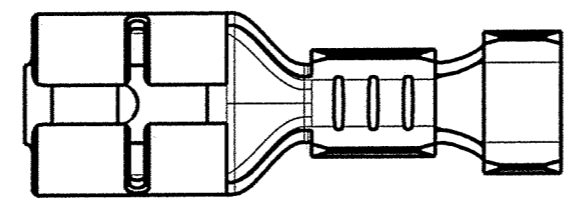
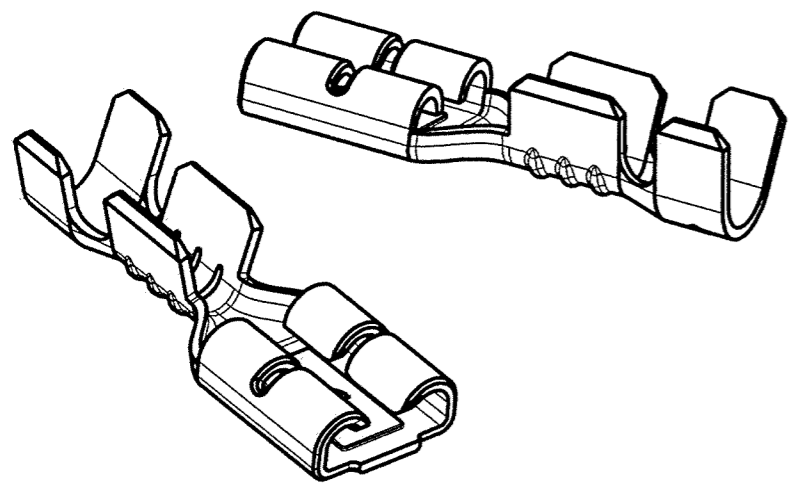
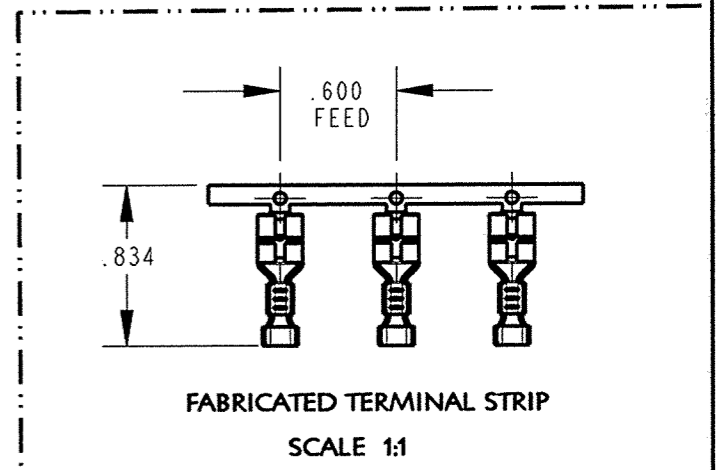
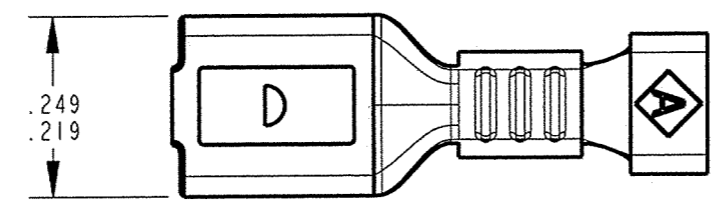
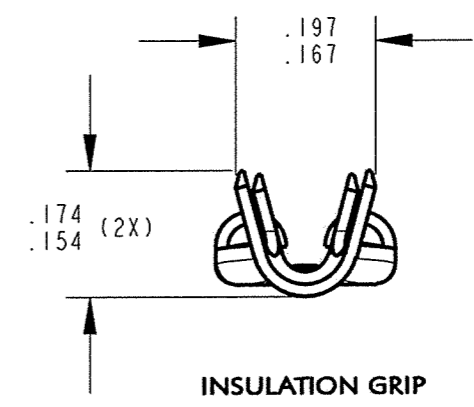
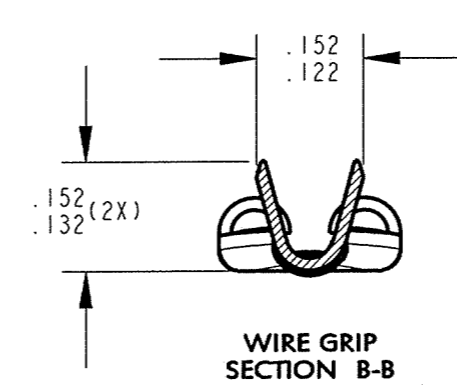
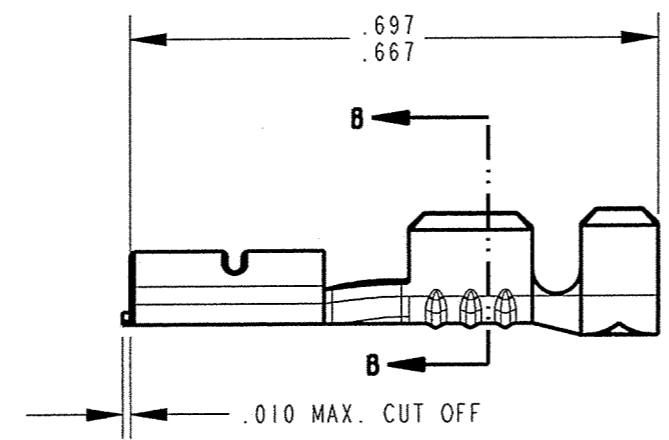


CUSTOMER DRAWING

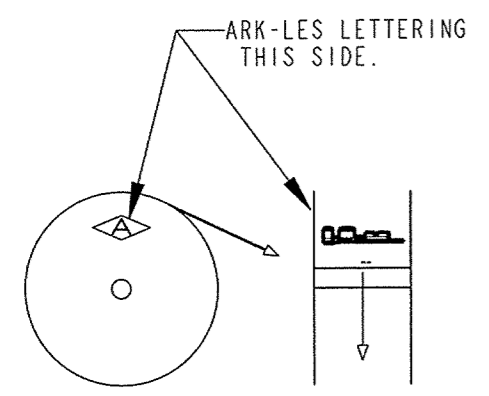
P/N: 83500131614
REV: B



- NOTES:
 1. TO ACCEPT STANDARD .187 X .032 MALE TAB
 2. TO ACCEPT AWG #16 - #14.
 3. RECOMMENDED STRIP LENGTH 9/32 +/- 1/32.
 4. INSERTION/WITHDRAWAL FORCES TO COMPLY WITH UL 310.



ARK-LES
UNCONTROLLED



PROD. REL.	ECR #S000005	12-15-03	CHK'D	PRINT DIST.	TOLERANCES UNLESS OTHERWISE SPECIFIED DECIMALS ±.010 METRIC ±0.25mm ANGLES ±1° 3RD ANGLE PROJECTION DWG SIZE B
QUOTE REL.			Dot/1/10/05	DEPT #	
DRAWN BY	D.O'NEILL	10-28-03	APP.	ENG 1	
SUPERSEDES DWG. DATED:			10/4/2005	SALES	
SCALE	4:1		DO NOT SCALE PRINT		
MATERIAL:	.016 ±.001 THICK BRASS, PRETINNED				
FINISH:	SEE MATERIAL				
REV.	DESCRIPTION	DATE	DR.		
B	REVISED PER ECR# S000120	3/11/05	DON		
A	PROD.REL. PER ECR#S000005	10/28/03	DON		

Ark-Les CORPORATION
STOUGHTON, MA

ORIGINAL IF RED

PART NAME: FEMALE TERMINAL
OPEN BARREL, ROLL RAIL
.187 X.032, AWG #16-#14

CAD#: 83500131614-CUST-REVB.drw

P/N: 83500131614

REV: B