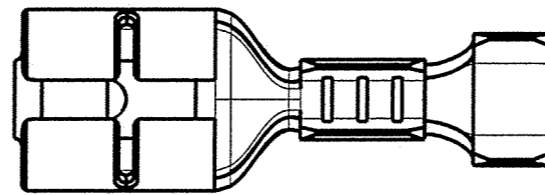
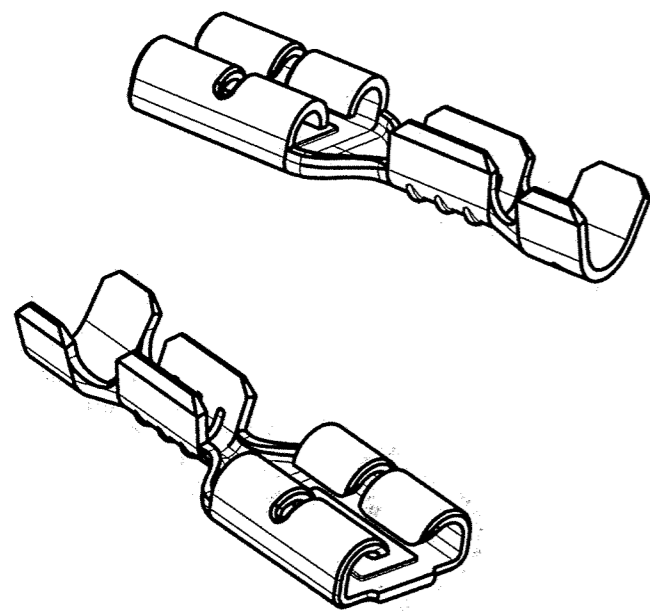


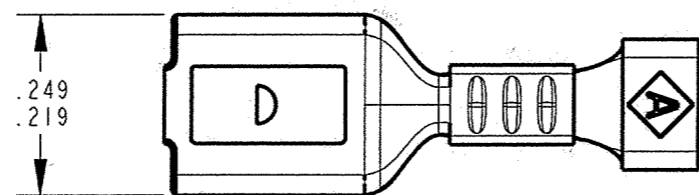
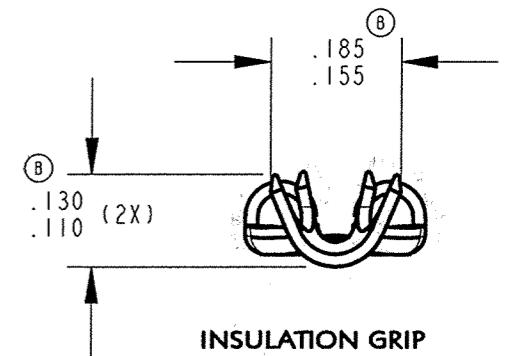
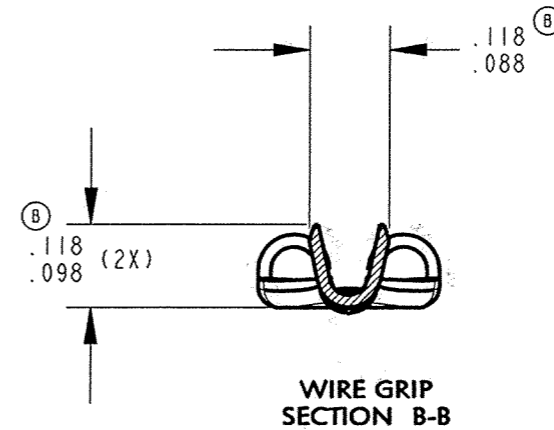
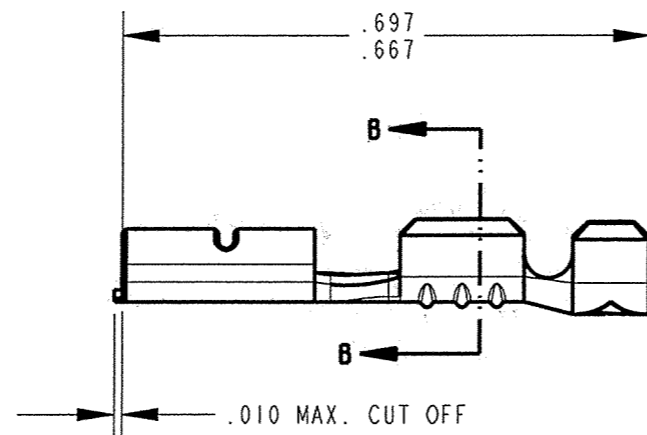
CUSTOMER DRAWING

P/N: 83500132218

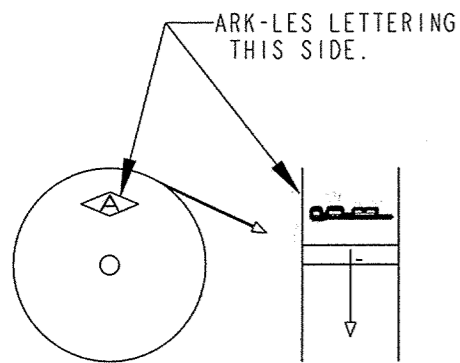
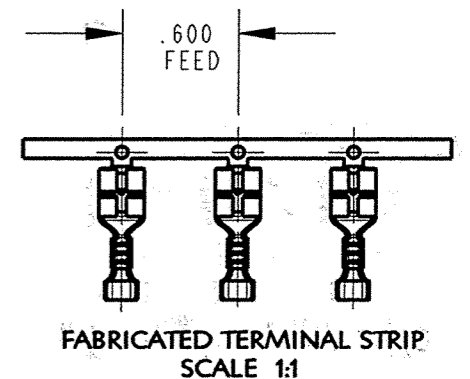
REV
B



- NOTES:
 1. TO ACCEPT STANDARD .187 X .032 MALE TAB
 2. TO ACCEPT AWG #22 - 18.
 3. RECOMMENDED STRIP LENGTH 9/32 +/- 1/32.
 4. INSERTION/WITHDRAWAL FORCES TO COMPLY WITH UL 310.



ARK-LES
UNCONTROLLED



REELING DIAGRAM

PRINT DIST.	PROD. REL. ECR S000005	12-15-03	CHK'D	TOLERANCES UNLESS OTHERWISE SPECIFIED
DEPT #	QUOTE REL.		DO 4/19/05	DECIMALS ± .010
ENG 1	DRAWN BY D.O'NEILL	10/28/03	APP.	METRIC ± 0.25mm
SALES	SUPERSEDES DWG. DATED:		10/20/03	ANGLES ± 1°
STO	SCALE 4:1	DO NOT SCALE PRINT		3RD ANGLE PROJECTION
RAL	MATERIAL: .016±.001 THICK BRASS, PRETINNED	DWG SIZE B		
JZ	FINISH: SEE MATERIAL			
CHINA				

<p>STOUGHTON, MA</p>	
ORIGINAL IF RED	
PART NAME	FEMALE TERMINAL OPEN BARREL, ROLL RAIL .187 X .032, AWG #22- #18
CAD#:	83500132218-CUST-REVB.drw
P/N:	83500132218
	B

REV.	DESCRIPTION	DATE	DR.
B	REVISED PER ECR# S000120	3/3/05	DON
A	PROD.REL. ECR# S000005	10/28/03	DON