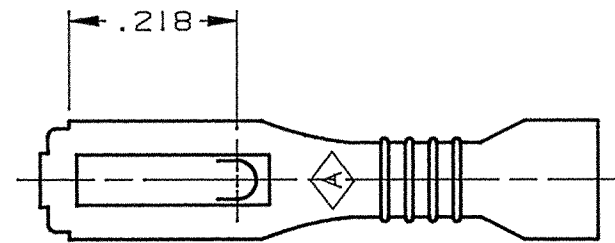
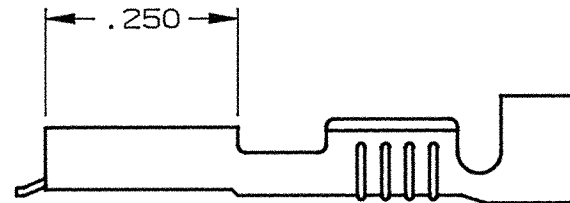
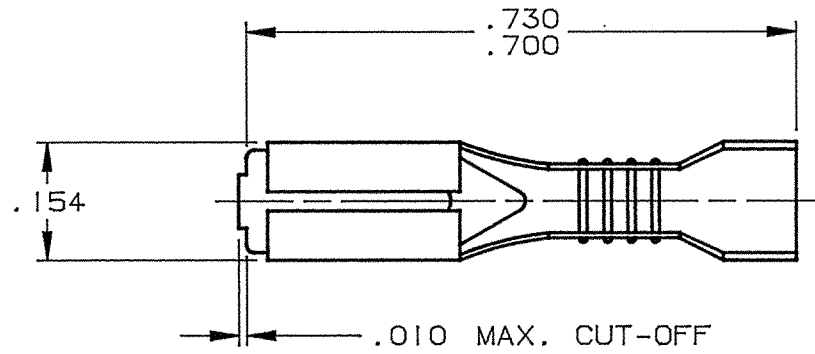


DEPT	
1	1
2	
3	
4	3
5	
6	
7	
8	
9	
10	
11	
12	
NC	
JZ	

PART NAME: FEMALE TERMINAL

PART NO: 3650H102A/

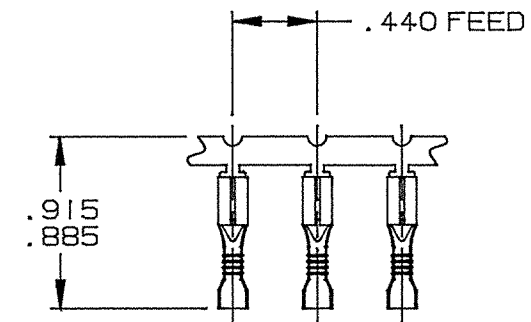
PART NO.	MATERIAL	FINISH
3650H102A	.010 BRASS	PRETINNED
3650H102AB	.010 BRASS	NONE



NOTES:

- MUST ACCEPT MALE TAB .110/.125 X .020.
- WIRE RANGE: #18-#24 AWG.
- INSULATION RANGE: .040 -.090 DIA.
- FOR REVERSE REELING ADD SUFFIX "R" TO PART NUMBER (i.e. 3650H102AR).
- FOR LOOSE PIECE PARTS ADD "-1" TO PART NUMBER (i.e. 3650H102A-1).
- RECOMMENDED STRIP LENGTH: 7/32 ±1/32.

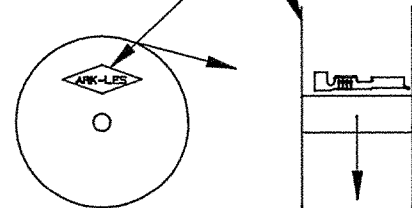
ARK-LES
UNCONTROLLED



FABRICATED TERMINAL STRIP

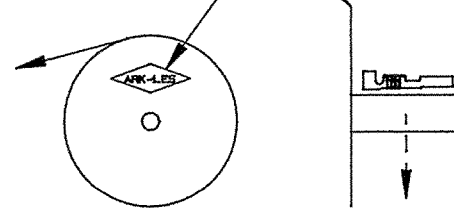
SCALE 1=1

ARK-LES LETTERING THIS SIDE



STANDARD REELING
(I.E. 3650H102A)

ARK-LES LETTERING THIS SIDE



REVERSE REELING
(I.E. 3650H102AR)

REV.	DESCRIPTION	DATE	DR.	SCALE: 4=1	CAD NO: BUM0021	PART NO: 3650H102A/
T	REVISED & REDRAWN PER ECR #11590	9/1/98	RT	PROD. REL. PER D6 10/3/74 RW	QUOTE REL.	TOLERANCES UNLESS OTHERWISE SPECIFIED: DECIMALS ±.010 METRIC ±0.25mm ANGLES ±1°
				DR: R. TASTULA 9/1/98	CHK'D: R.W.T. 9-8-98	MATERIAL: SEE TABLE
				APP: B.S.H. 9-14-98	SUPERCEDES DWG. DATED: 3/3/87	FINISH: SEE TABLE

ORIGINAL IF RED