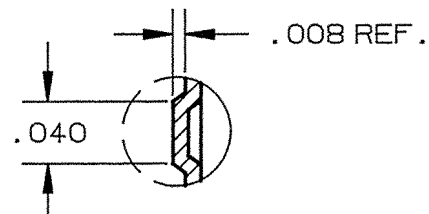
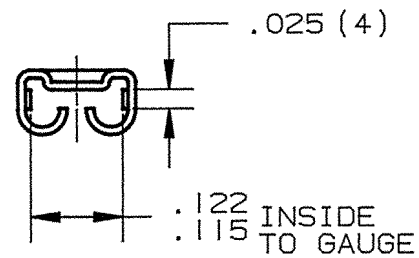


DEPT	
1	1
2	
3	
4	1
5	
6	
7	
8	
9	
10	
11	
12	
NC	
JZ	
DW	

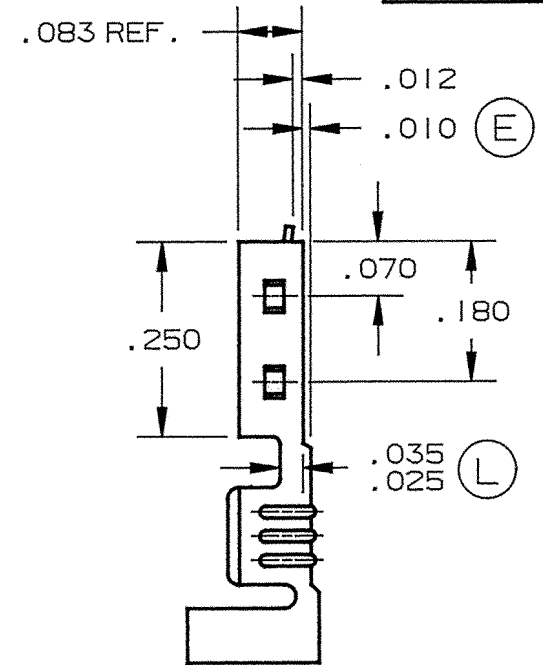
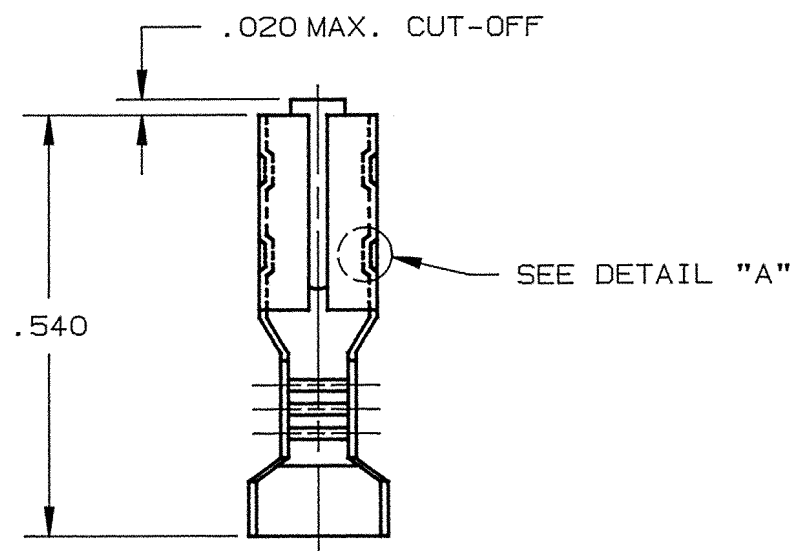
PART NAME: TERMINAL, FEMALE

PART NO: 3650H123/

PART NUMBER	MATERIAL	FINISH
3650H123A	.010 ±.0005 THK. BRASS FULL HARD TEMPER	PRETINNED
3650H123AB	.010 ±.0005 THK. BRASS FULL HARD TEMPER	NONE

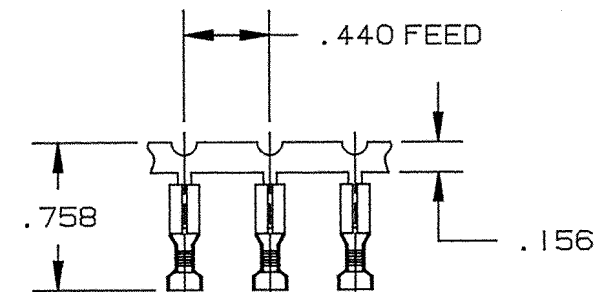


DETAIL "A"
TYPICAL 4 PLACES



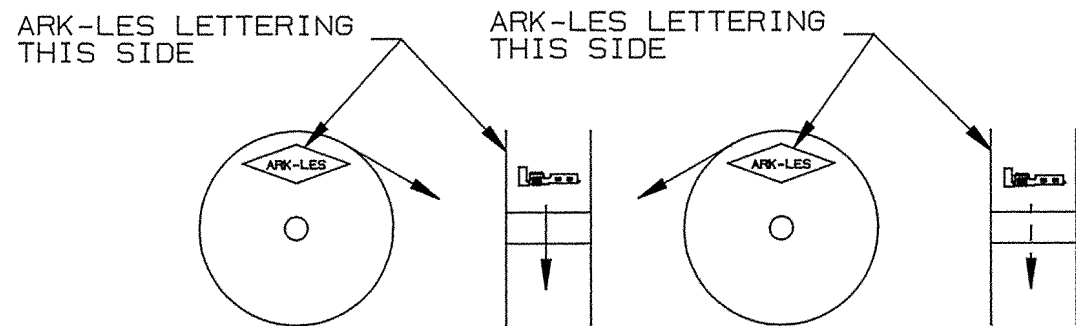
ARK-LES
UNCONTROLLED

- NOTES:
- MUST ACCEPT MALE TAB .110 ±.003 X .032 ±.001.
 - WIRE RANGE: #16-#20 AWG.
 - INSULATION RANGE: .075-.125 DIA.
 - RECOMMENDED STRIP LENGTH: 5/32 ±1/32.



FABRICATED TERMINAL STRIP

SCALE: FULL



STANDARD REELING
(I.E. 3650H123A)

REVERSE REELING
(I.E. 3650H123AR)

REELING DIAGRAMS

			PROD. REL.	RM 3168	2/8/91	RT	TOLERANCES UNLESS OTHERWISE SPECIFIED:
			QUOTE REL.				DECIMALS ±.010 METRIC ±0.25mm ANGLES ±1°
			DR:	M. BUMILA	11/12/92		MATERIAL: SEE TABLE
			CHK'D:	R.W.T.	12-20-94		FINISH: SEE TABLE
L	.035/.025 ADDED PER ECR #10396	12/19/94	RT	APP:	COR 12-20-94		PART NO: 3650H123/
E	REVISED & REDRAWN PER ECR #9260	11/12/92	MB	SUPERCEDES DWG. DATED:	2/8/91		
REV.	DESCRIPTION	DATE	DR.	SCALE: 4:1	CAD NO: BUM0002		

ORIGINAL IF RED