

FABRICATED TERMINAL STRIP
SCALE: FULL

CUSTOMER DRAWING

P/N: 3000H 112A-6/

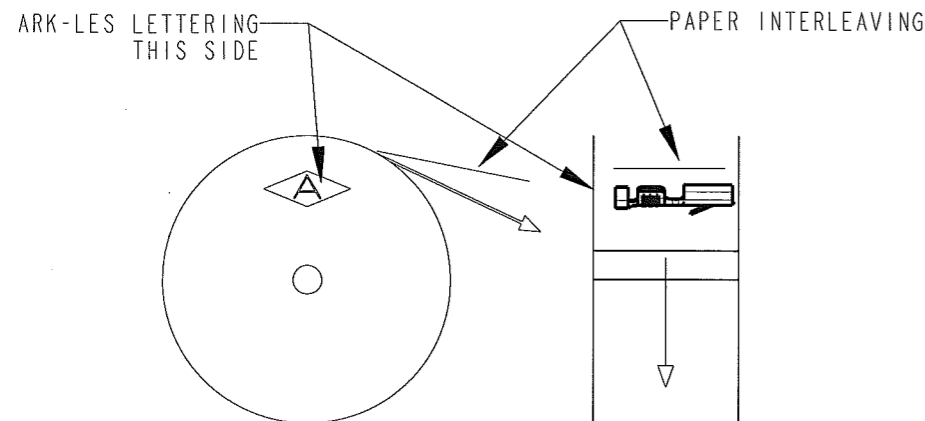
REV

M

PART NO.	MATERIAL	FINISH
3000H 112A-6	.016 ±.0007 BRASS PRETINNED	SEE MAT'L
3000H 112AB-6	.016 ±.0007 BRASS	NONE
3000H 112AD-6	.016 ±.0007 BRASS	POST TIN PLATE

**ARK-LES
UNCONTROLLED**

- NOTES:
1. TO MATE WITH .250 X .032 MALE TAB.
 2. TO ACCOMMODATE AWG #22-#18 WIRE.
 3. INSULATION RANGE: .075-.125 DIA.
 4. RECOMMENDED WIRE STRIP LENGTH: $9/32 \pm 1/32$.
 5. INITIAL INSERTION 8 LBS. MAX., 4 LBS. MIN.
USING STANDARD .250 X .032 BRASS TAB.



STANDARD REELING DIAGRAM

PRINT DIST.	PROD. REL.	SK 0876	4/13/82	CHK'D	TOLERANCES UNLESS OTHERWISE SPECIFIED	 CORPORATION STOUGHTON, MA
DEPT #	QUOTE REL.			DD/S/06	DECIMALS ±.010	
ENG I	DRAWN BY	O'NEILL	3/16/2006	APP.	METRIC ±0.25mm	ORIGINAL IF RED CUSTOMER DRAWING PART NAME TERMINAL, FEMALE LOCKING TYPE
SALES X	SUPERSEDES DWG. DATED:	9/13/01	WSD 6-5-06		ANGLES ±1°	
STO	SCALE	4:1	DO NOT SCALE PRINT		3RD ANGLE PROJECTION	CAD#: 3000H_112A-6-REVM_CUST
RAL	MATERIAL:	SEE TABLE			DWG SIZE: B	P/N: 3000H 112A-6/
JZ	FINISH:	SEE TABLE				REV M
CHINA						