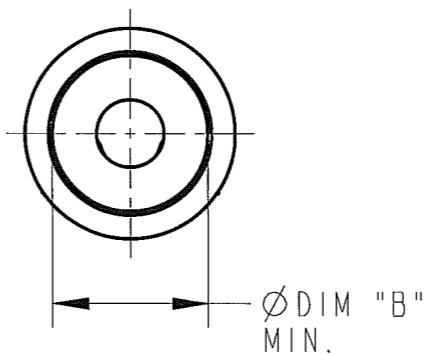
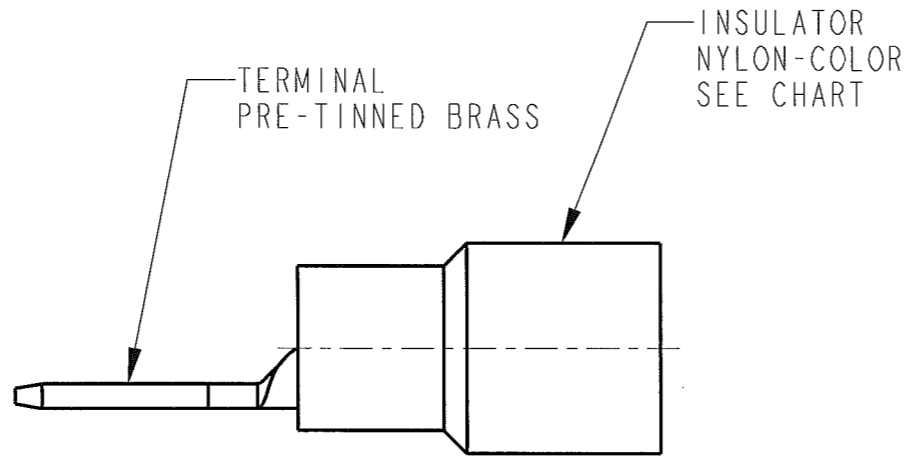
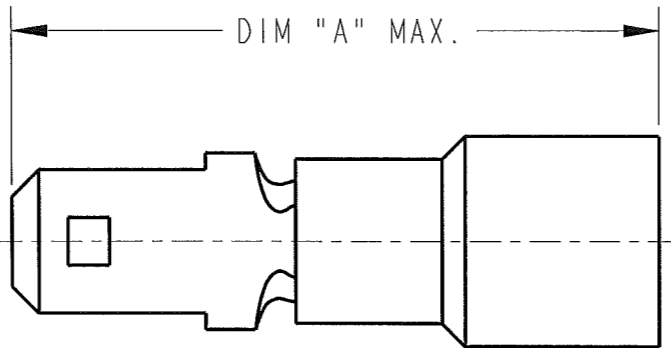
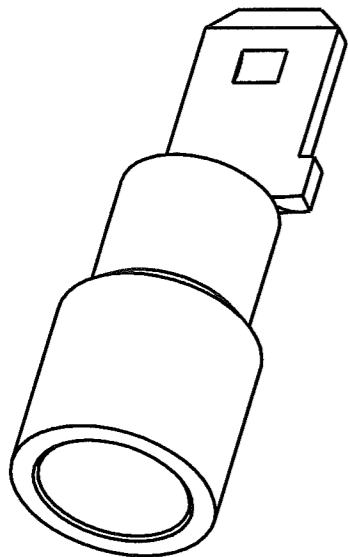


CUSTOMER DRAWING

P/N: 7509608-7509868

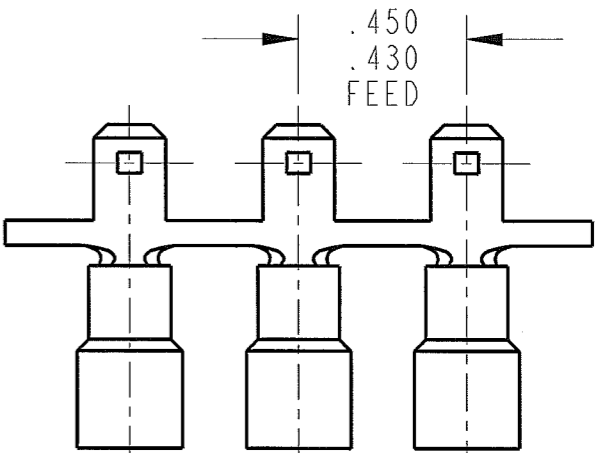
REV
B

ASSEMBLY P/N	DESCRIPTION	INSULATOR COLOR	WIRE SIZE	DIM "A" MAX.	DIM "B" MIN.
7509608	.250 X.032 TAB	RED	AWG #22-#18	.963	∅ .143
7509628	.250 X.032 TAB	BLUE	AWG #16-#14	.963	∅ .201
7509688	.187 X.020 TAB	RED	AWG #22-#18	.868	∅ .143
7509708	.187 X.020 TAB	BLUE	AWG #16-#14	.868	∅ .201
7509728	.187 X.032 TAB	RED	AWG #22-#18	.868	∅ .143
7509748	.187 X.032 TAB	BLUE	AWG #16-#14	.868	∅ .201
7509848	.110 X.020 TAB	RED	AWG #22-#18	.906	∅ .143
7509868	.110 X.032 TAB	RED	AWG #22-#18	.906	∅ .143

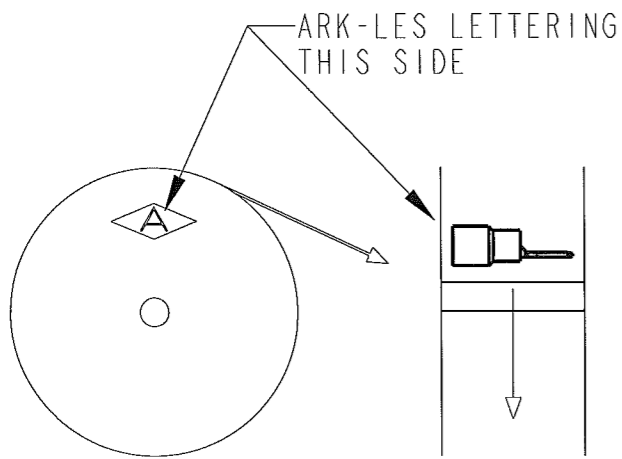


- NOTE:
1. RECOMMENDED STIP LENGTH: 7/32 ± 1/32
 2. FOR INDIVIDUAL PIECES ADD SUFFIX "I" TO PART NUMBER. EXAMPLE: 7509608I.
 3. MALE TAB CONFORMS TO UL310.


ARK-LES UNCONTROLLED



FABRICATED TERMINAL STRIP
SCALE 2:1



REELING DIAGRAM

PRINT DIST.	PROD. REL.	ESR#S000015	10/06/2003	CHK'D	TOLERANCES UNLESS OTHERWISE SPECIFIED	 CORPORATION STOUGHTON, MA ORIGINAL IF RED
DEPT #	QUOTE REL.			APP.	DECIMALS ±.010	
ENG I	DRAWN BY	D.O'NEILL	10/3/03	APP.	METRIC ±0.25mm	PART NAME CUSTOMER ASSEMBLY PARTIALLY INSULATED MALE TAB SEE CHART
SALES	SUPERSEDES DWG. DATED:			APP.	ANGLES ±1°	
B REV. PER ECR #S000266	SCALE 4:1		DO NOT SCALE PRINT		3RD ANGLE PROJECTION	CAD#: 7509608-7509868-CUST-RevB
A RELEASE PER ECR# S000015	MATERIAL:				DWG SIZE: B	P/N: 7509608-7509868
REV.	DESCRIPTION	DATE	DR.	FINISH:		REV B