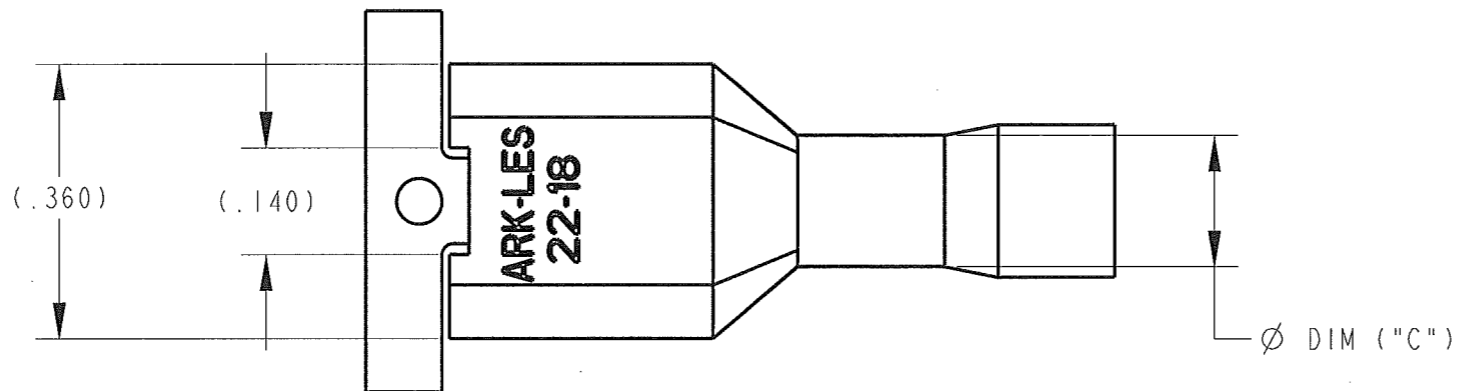


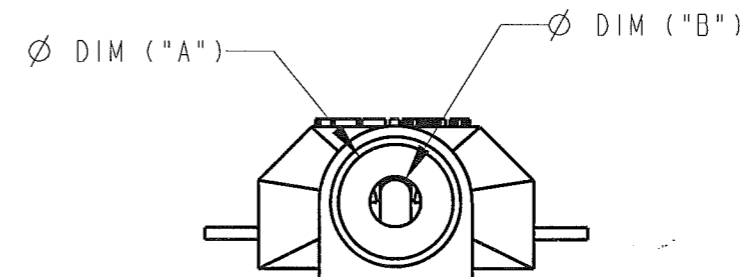
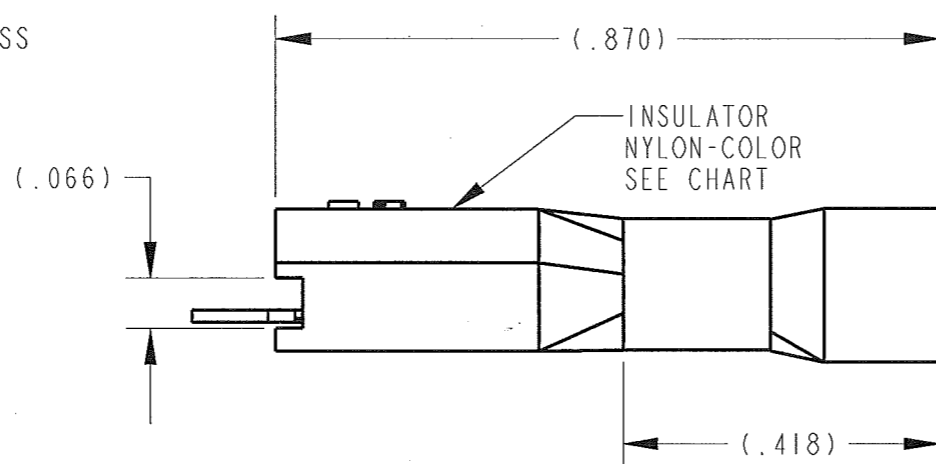
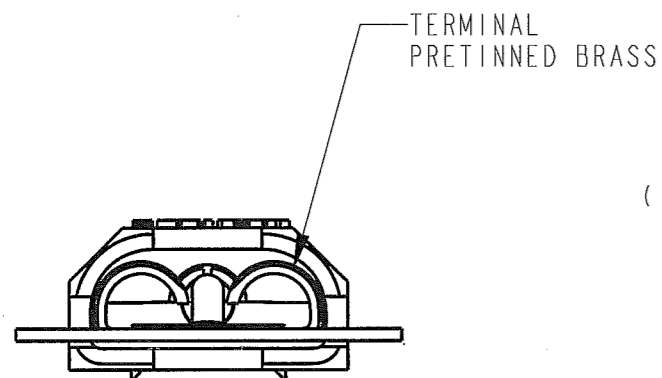
SCALE 2:1



**CUSTOMER DRAWING**

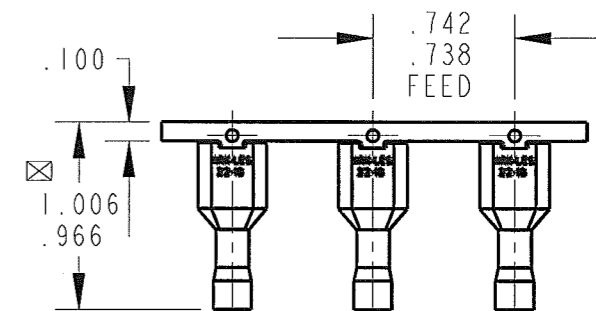
P/N: 73000131210/1614/2218 REV B

ASSEMBLY P/N	COLOR	WIRE SIZE	DIM "A"	DIM "B"	DIM "C"
73000132218	RED	AWG# 22-18	(Ø .150)	(Ø .066)	(Ø .172)
73000131614	BLUE	AWG# 16-14	(Ø .165)	(Ø .094)	(Ø .200)
73000131210	YELLOW	AWG# 12-10	(Ø .260)	(Ø .134)	(Ø .248)

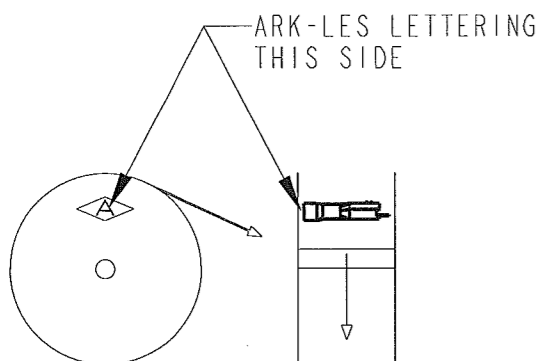


**ARK-LES UNCONTROLLED**

- NOTES:
1. RECEPTACLE TO ACCEPT .250 X .032 MALE TAB.
  2. INSERTION/WITHDRAWAL FORCES TO COMPLY WITH UL 310.
  3. RECOMMENDED STRIP LENGTH:  
 9/32 ± 1/32 (AWG#22-18 AND #16-14)  
 5/16 ± 1/32 (AWG #12-10)



FABRICATED TERMINAL STRIP SCALE: FULL



REELING DIAGRAM

PRINT DIST.	PROD. REL. ECRS000018	12-1-2003	CHK'D	TOLERANCES UNLESS OTHERWISE SPECIFIED
DEPT #	QUOTE REL.		Do'la31	DECIMALS ± .010
ENG I	DRAWN BY D.O'NEILL	11/30/06	APP.	METRIC ± 0.25mm
SALES	SUPERSEDES DWG. DATED:		11/24/07	ANGLES ± 1°
STO X	SCALE 4:1	DO NOT SCALE PRINT		3RD ANGLE PROJECTION
RAL	MATERIAL:	FINISH:		
JZ		DWG SIZE: B		
CHINA				

**Ark-Les CORPORATION** STOUGHTON, MA

**ORIGINAL IF RED**

PART NAME: ASSEMBLY/CUSTOMER FULLY INSULATED FE TERMINAL .250X.032, AWG #12-10, #16-14, #22-18

CAD#: 73000131210-1614-2218-REVB\_CUST

P/N: 73000131210/1614/2218 SEE CHART REV B