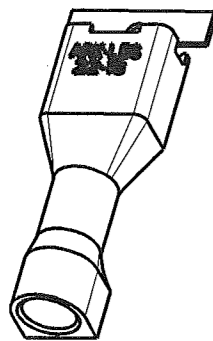


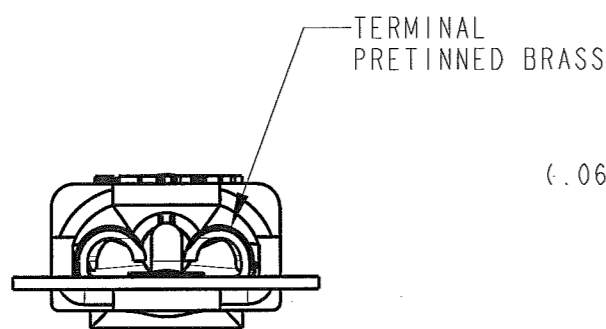
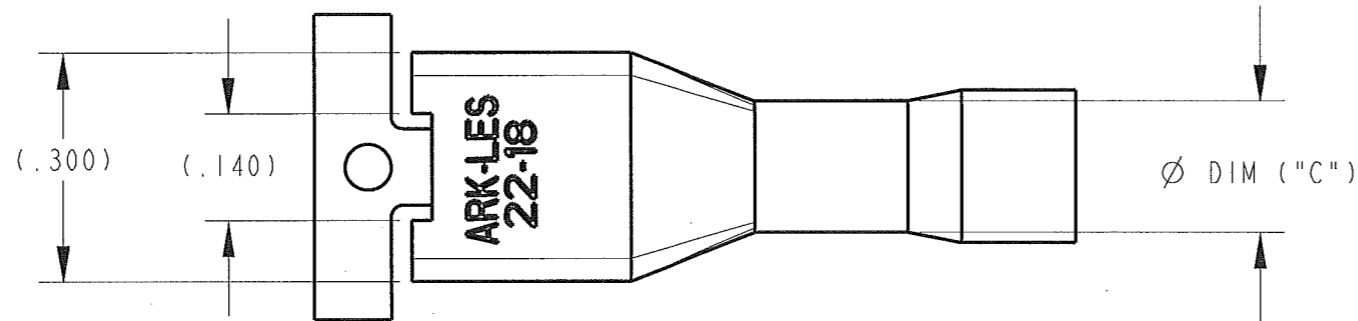
P/N: 73500121614/2218 REV B

**CUSTOMER DRAWING**

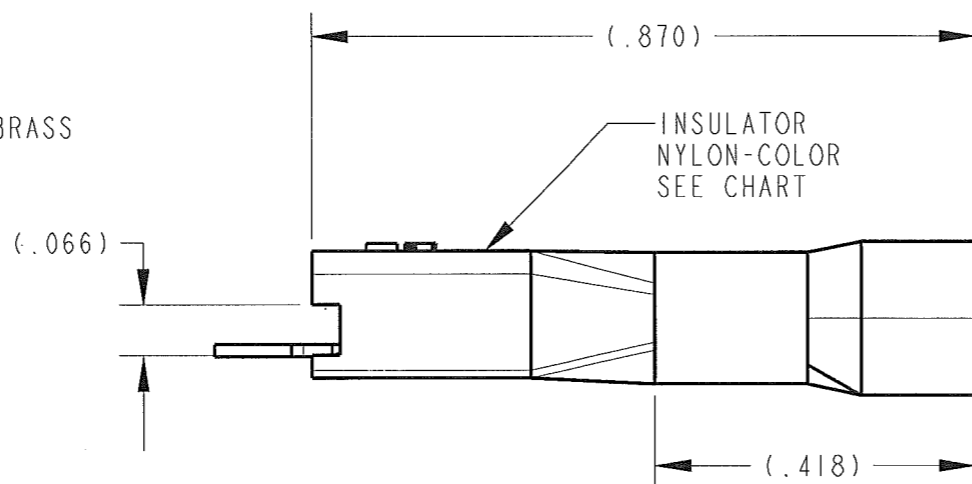
ASSEMBLY P/N	COLOR	WIRE SIZE	DIM "A"	DIM "B"	DIM "C"
73500122218	RED	AWG# 22-18	( $\phi$ .145)	( $\phi$ .066)	( $\phi$ .172)
73500121614	BLUE	AWG# 16-14	( $\phi$ .165)	( $\phi$ .094)	( $\phi$ .200)



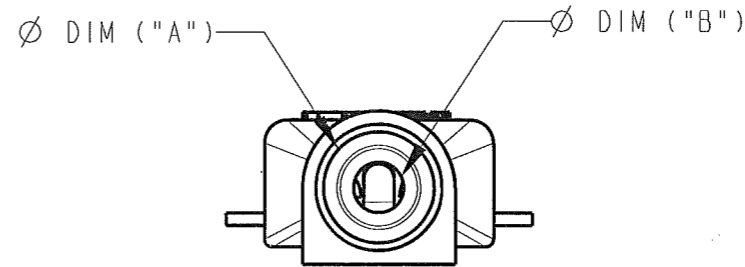
SCALE 2:1



TERMINAL  
PRETINNED BRASS

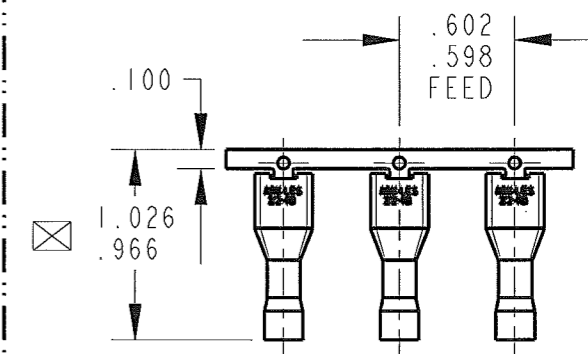


INSULATOR  
NYLON-COLOR  
SEE CHART

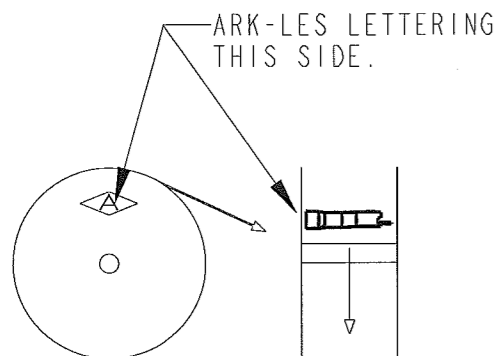


**ARK-LES  
UNCONTROLLED**

- NOTES:
1. RECEPTACLE TO ACCEPT .187 X .020 MALE TAB.
  2. INSERTION/WITHDRAWAL FORCES TO COMPLY WITH UL 310.
  3. RECOMMENDED STRIP LENGTH: 9/32±1/32



FABRICATED TERMINAL STRIP  
SCALE:FULL



REELING DIAGRAM

				PRINT DIST.	PROD. REL. ECRS000018	12/1/2003	CHK'D	TOLERANCES UNLESS OTHERWISE SPECIFIED
				DEPT #			Dolan	DECIMALS ±.010
				ENG I			APP.	METRIC ±0.25mm
				SALES			ET 124.07	ANGLES ±1°
B	REV. PER ECR #S000227	12/1/06	DON	STO X				3RD ANGLE PROJECTION
A	PROD. REL ECR# S000018	10/28/03	DON	RAL				DWG SIZE: B
REV.	DESCRIPTION	DATE	DR.	JZ				
				CHINA				

**Ark-Les CORPORATION** STOUGHTON, MA

**ORIGINAL IF RED**

PART NAME ASSEMBLY/CUSTOMER FULLY INSULATED FE TERMINAL .187X.020, AWG# 16-14, #22-18

CAD#: 73500121614-2218\_REVB\_CUST

P/N: 73500121614/2218 SEE CHART REV B