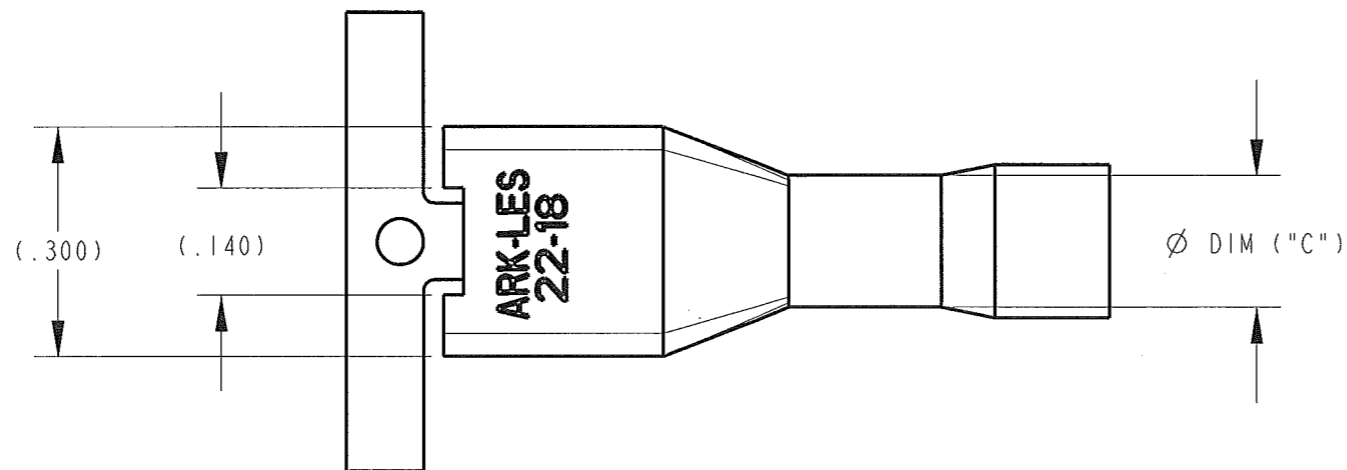


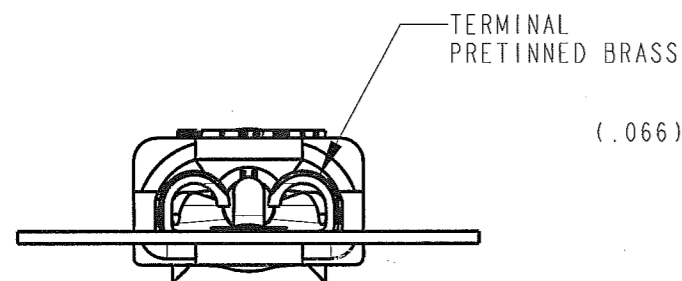
SCALE 2:1



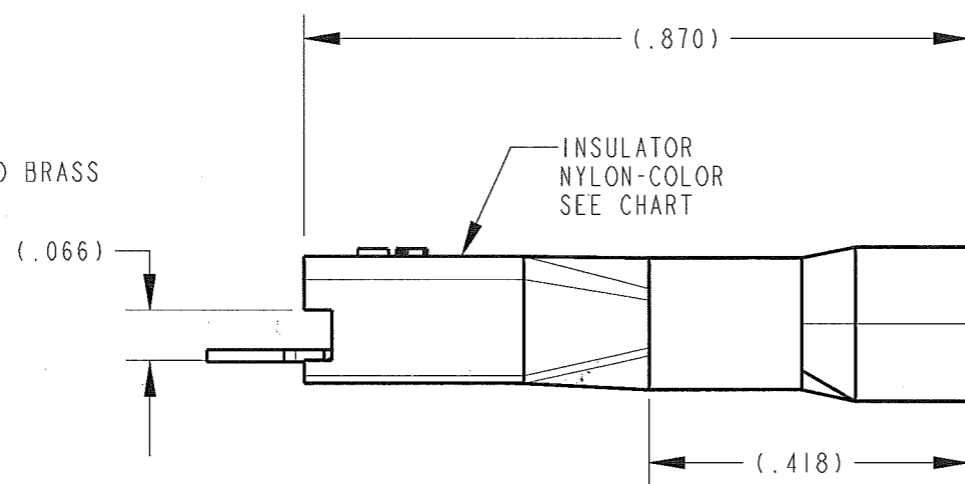
CUSTOMER DRAWING

P/N: 73500131614/2218 REV B

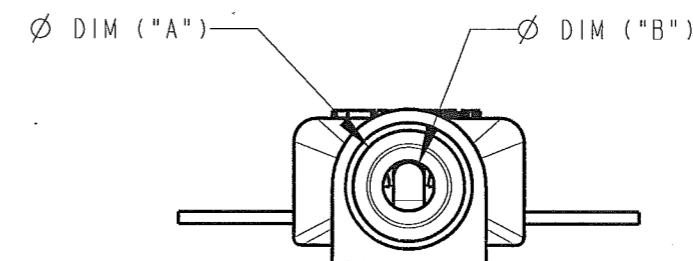
ASSEMBLY P/N	COLOR	WIRE SIZE	DIM "A"	DIM "B"	DIM "C"
73500132218	RED	AWG# 22-18	(Ø .145)	(Ø .066)	(Ø .172)
73500131614	BLUE	AWG# 16-14	(Ø .166)	(Ø .094)	(Ø .200)



TERMINAL
PRETINNED BRASS

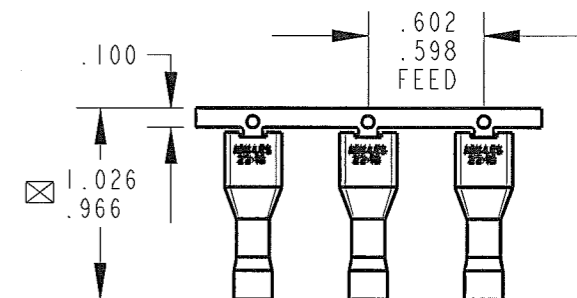


INSULATOR
NYLON-COLOR
SEE CHART

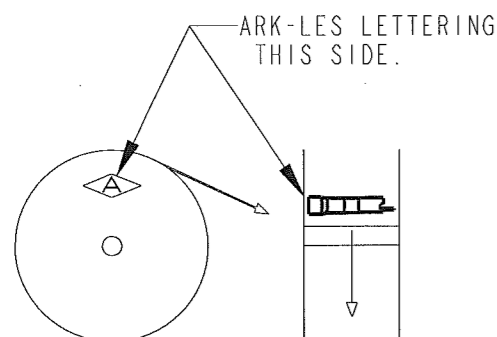


**ARK-LES
UNCONTROLLED**

- NOTES:
 1. RECEPTACLE TO ACCEPT .187 X .032 MALE TAB.
 2. INSERTION/WITHDRAWAL FORCES TO COMPLY WITH UL 310.
 3. RECOMMENDED STRIP LENGTH: 9/32±1/32



FABRICATED TERMINAL STRIP
SCALE: FULL



REELING DIAGRAM

PRINT DIST.	PROD. REL. ECRS000018	12-1-03	CHK'D	TOLERANCES UNLESS OTHERWISE SPECIFIED
DEPT #	QUOTE REL.		DD/23/07	DECIMALS ±.010
ENG I	DRAWN BY D.O'NEILL	12/1/2006	APP.	METRIC ±0.25mm
SALES	SUPERSEDES DWG. DATED:		ET 1-24-07	ANGLES ±1°
STO X	SCALE 4:1	DO NOT SCALE PRINT		3RD ANGLE PROJECTION
RAL	MATERIAL:			DWG SIZE: B
JZ	FINISH:			
CHINA				
B	REV. PER ECR S000227	12/1/06	DON	
A	PROD. REL. ECR S000018	10/28/03	DON	
REV.	DESCRIPTION	DATE	DR.	

Ark-Les CORPORATION STOUGHTON, MA

ORIGINAL IF RED

PART NAME: ASSEMBLY/CUSTOMER FULLY INSULATED FE TERMINALS .187X.032, AWG #16-14, #22-18

CAD#: 73500131614-2218-REVB-CUST

P/N: 73500131614/2218 SEE CHART REV B