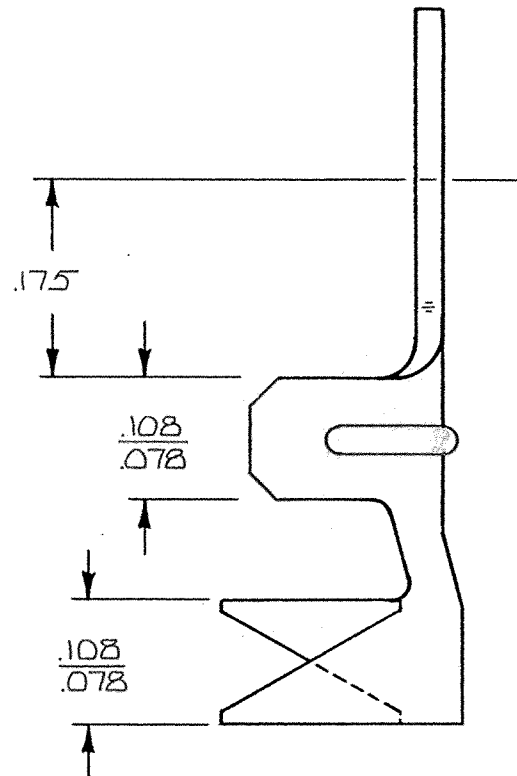
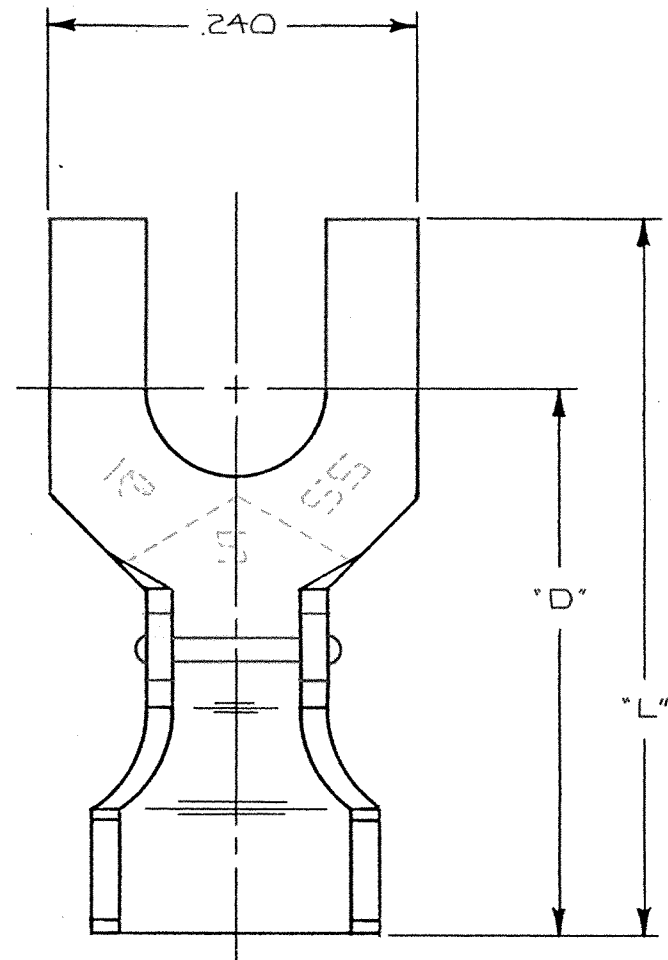


DEPT	1
1	1
2	
3	
4	1
5	
6	
7	1
8	
9	
10	
11	
12	
ME.	

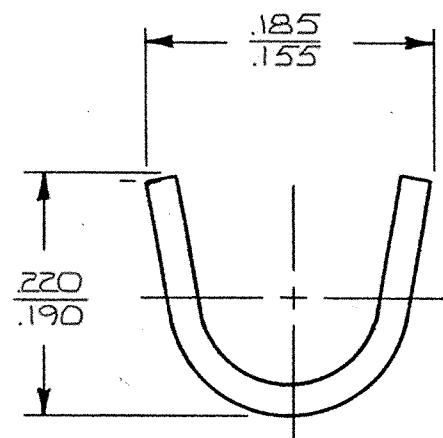
PART NAME: TERMINAL - SPADE

PART NO. 4000-2A/

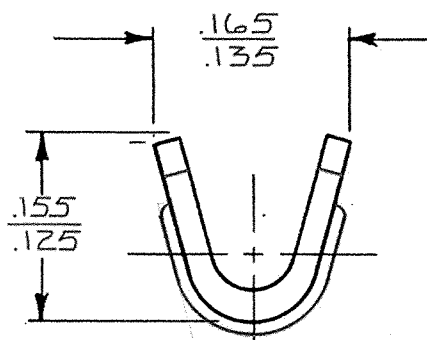


- NOTES:
 1. WIRE RANGE : 16-22
 2. FEED DIM: .335

ARK-LES
UNCONTROLLED



INSULATION GRIP



WIRE GRIP

PART NO.	INS. DIA.	STUD SIZE	STOCK THK. ±.001	MATERIAL / FINISH	"L" DIM.	"D" DIM.
2A1-00 2A2-00	.075-.125	0	.020	BRASS PRETINNED BRASS	.510	.393
2A1-0 2A2-0	NO INSULATION GRIP	0	.020	BRASS PRETINNED BRASS	.385	.268
2A1-2 2A2-2	.075-.125	2	.020	BRASS PRETINNED BRASS	.510	.393
2A1-1 2A2-1	NO INSULATION GRIP	2	.020	BRASS PRETINNED BRASS	.385	.268
2A1-4 2A2-4	.075-.125	4	.020	BRASS PRETINNED BRASS	.510	.393
2A1-3 2A2-3	NO INSULATION GRIP	4	.020	BRASS PRETINNED BRASS	.385	.268
2A1-6 2A2-6	.075-.125	6	.020	BRASS PRETINNED BRASS	.510	.393
2A1-5 2A2-5	NO INSULATION GRIP	6	.020	BRASS PRETINNED BRASS	.385	.268

PROD. REL.	PERCA	3-22-61	JR	TOLERANCES UNLESS OTHERWISE SPECIFIED :		
QUOTE REL.				DECIMALS ± .010	METRIC ± 0.25mm	ANGLES ± 1°
DR. : A. PAPIA		12-19-86		MATERIAL: SEE TABLE		
CHK'D. :				FINISH: SEE TABLE		
G REVISED & REDRAWN WIRE & INSULATION DIM'S ADDED ECR6012	12-19-86	AP		PART NO. : 4000-2A/		
REV.	DESCRIPTION	DATE	DR.	SCALE: CH	F.M.F.	

ORIGINAL IF RED