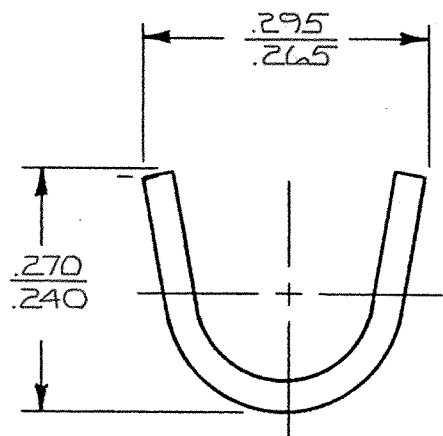
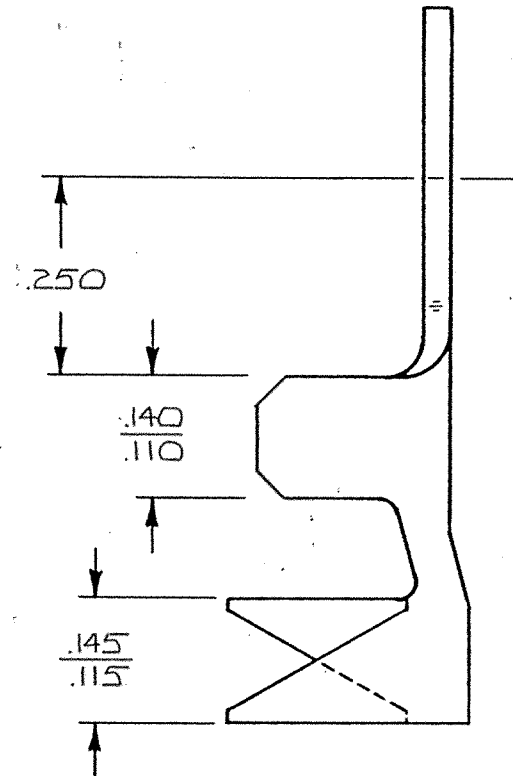
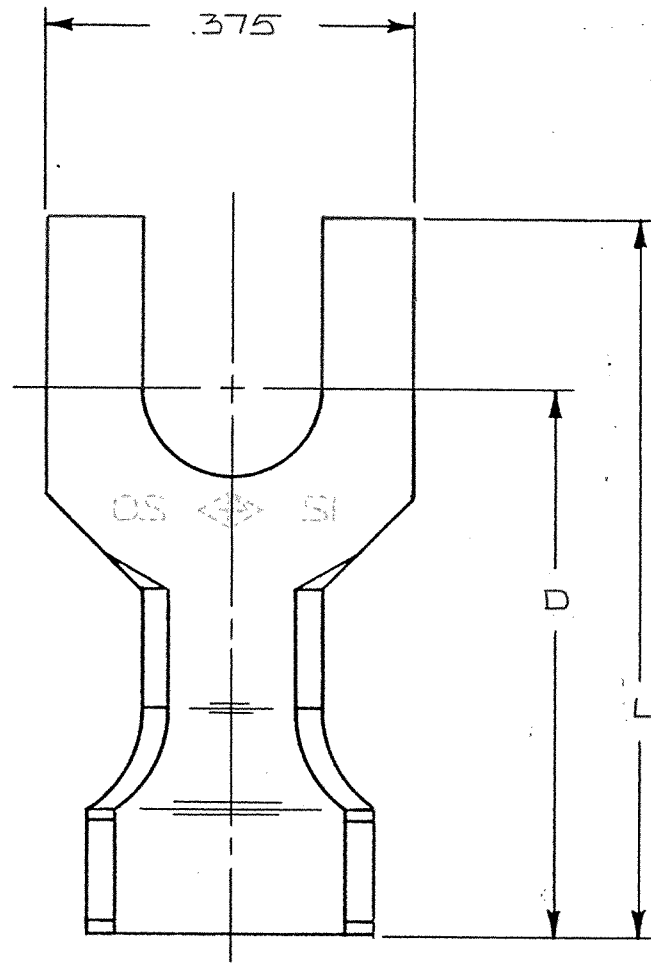


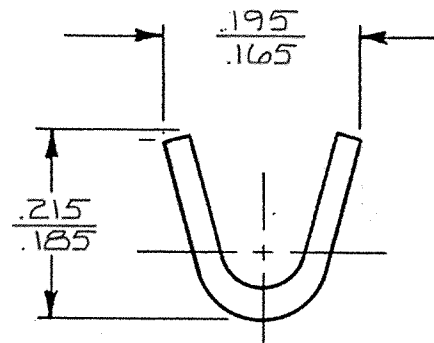
|      |   |
|------|---|
| DEPT |   |
| 1    | 1 |
| 2    |   |
| 3    |   |
| 4    | 1 |
| 5    |   |
| 6    |   |
| 7    | 1 |
| 8    |   |
| 9    |   |
| 10   |   |
| 11   |   |
| 12   |   |
| ME   |   |

PART NAME: TERMINAL - SPADE

PART NO. 4000-4A/



INSULATION GRIP



WIRE GRIP

**NOTES:**

1. WIRE RANGE: 12-20
2. FEED DIM: .440

**ARK-LES  
UNCONTROLLED**

| PART NO. | INS. DIA.          | STUD SIZE | STOCK THK. ±.001 | MATERIAL / FINISH | "L" DIM. | "D" DIM. |
|----------|--------------------|-----------|------------------|-------------------|----------|----------|
| 4A1-6    | .075-.175          | 6         | .020             | BRASS             | .745     | .567     |
| 4A2-6    |                    |           |                  | PRE-TINNED BRASS  |          |          |
| 4A3-6    |                    |           | BRASS            |                   |          |          |
| 4A4-6    |                    |           | PRE-TINNED BRASS |                   |          |          |
| 4A1-5    | NO INSULATION GRIP | 6         | .020             | BRASS             | .555     | .377     |
| 4A2-5    |                    |           |                  | PRE-TINNED BRASS  |          |          |
| 4A3-5    |                    |           | BRASS            |                   |          |          |
| 4A4-5    |                    |           | PRE-TINNED BRASS |                   |          |          |
| 4A1-8    | .075-.175          | 8         | .020             | BRASS             | .745     | .567     |
| 4A2-8    |                    |           |                  | PRE-TINNED BRASS  |          |          |
| 4A3-8    |                    |           | BRASS            |                   |          |          |
| 4A4-8    |                    |           | PRE-TINNED BRASS |                   |          |          |
| 4A1-7    | NO INSULATION GRIP | 8         | .020             | BRASS             | .555     | .377     |
| 4A2-7    |                    |           |                  | PRE-TINNED BRASS  |          |          |
| 4A3-7    |                    |           | BRASS            |                   |          |          |
| 4A4-7    |                    |           | PRE-TINNED BRASS |                   |          |          |
| 4A1-10   | .075-.175          | 10        | .020             | BRASS             | .745     | .567     |
| 4A2-10   |                    |           |                  | PRE-TINNED BRASS  |          |          |
| 4A3-10   |                    |           | BRASS            |                   |          |          |
| 4A4-10   |                    |           | PRE-TINNED BRASS |                   |          |          |
| 4A1-9    | NO INSULATION GRIP | 10        | .020             | BRASS             | .555     | .377     |
| 4A2-9    |                    |           |                  | PRE-TINNED BRASS  |          |          |
| 4A3-9    |                    |           | BRASS            |                   |          |          |
| 4A4-9    |                    |           | PRE-TINNED BRASS |                   |          |          |

|   |          |          |  |
|---|----------|----------|--|
| PROD. REL.  | L.A.     | 3-10-61  | TOLERANCES UNLESS OTHERWISE SPECIFIED:     |
| QUOTE REL.  |          |          | DECIMALS ±.010 METRIC ± 0.25mm ANGLES ± 1° |
| DR.: A.PAPIA  |          | 12-24-86 | MATERIAL: SEE TABLE                        |
| CHK'D:  |          |          | FINISH: SEE TABLE                          |
| H REVISED & REDRAWN: INSULATION & WIRE GRIP DIMS ADDED ECR 6014 | 12-24-86 | AP       | PART NO.: 4000-4A/                         |
| APP.: <i>BISH</i>   |          | 12-30-86 |  |
| SCALE: <i>CH</i>  |          | F.M.F.   |  |

ORIGINAL IF RED