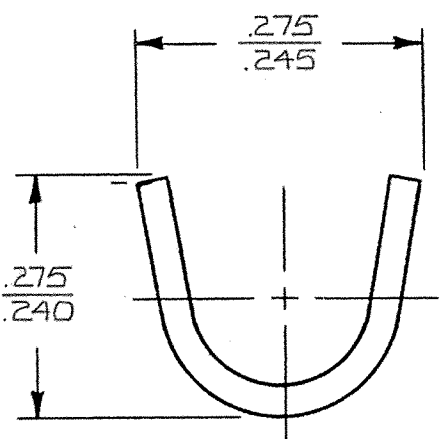
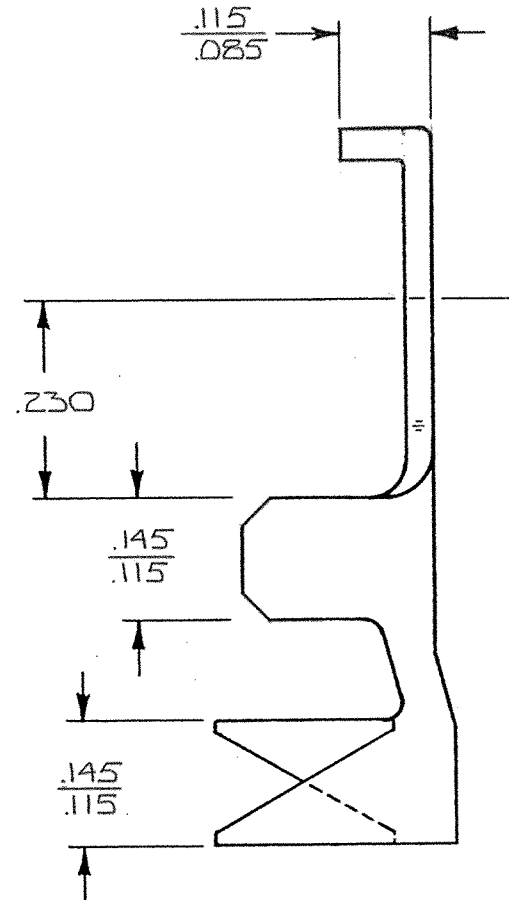
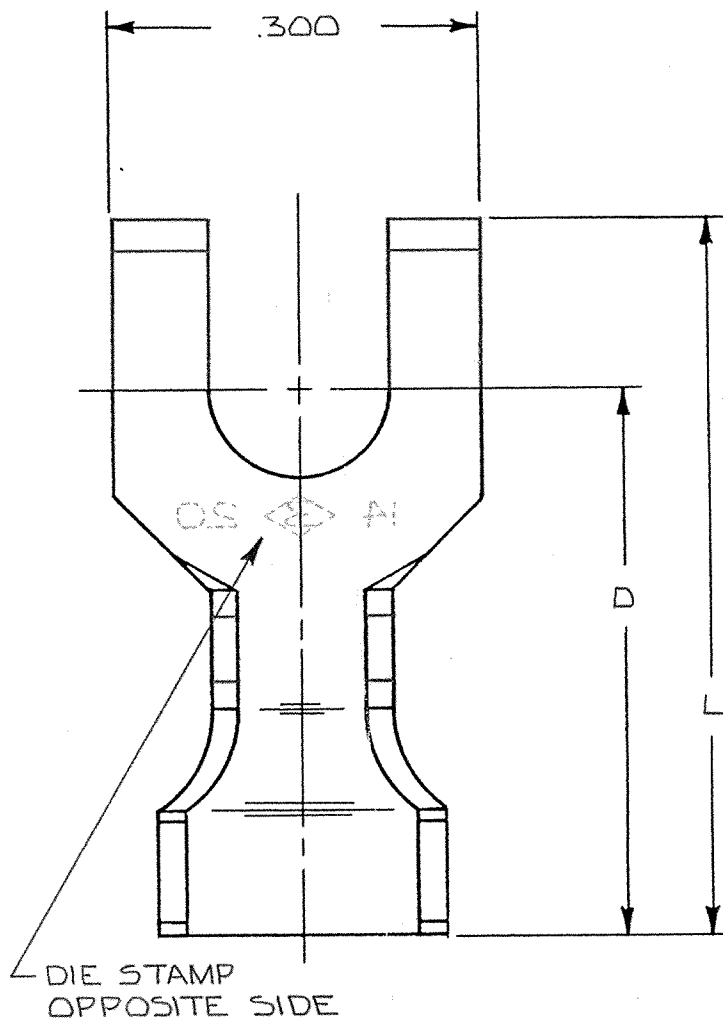


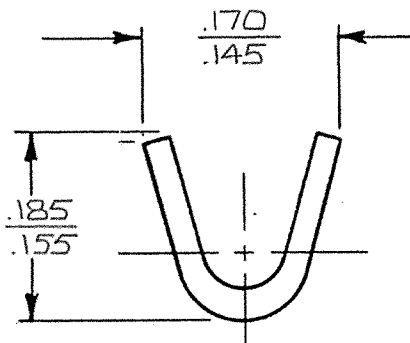
DEPT	1
1	1
2	
3	
4	2
5	
6	
7	
8	
9	
10	
11	
12	
ME.	

PART NAME: TERMINAL - SPADE FLANGED

PART NO. 4000-3B/



INSULATION GRIP



WIRE GRIP

- NOTES:
 1. WIRE RANGE : 14-20
 2. FEED DIM: .400

ARK-LES UNCONTROLLED

PART NO.	INS. DIA.	STUD SIZE	STOCK THK. ±.001	MATERIAL / FINISH	"L" DIM.	"D" DIM.
3B1-4	.075-.175	4	.020	BRASS	.718	.547
3B2-4				PRE-TINNED BRASS		
3B3-4				BRASS		
3B4-4				PRE-TINNED BRASS		
3B1-3	NO INSULATION GRIP	4	.020	BRASS	.527	.356
3B2-3				PRE-TINNED BRASS		
3B3-3				BRASS		
3B4-3				PRE-TINNED BRASS		
3B1-6	.075-.175	6	.020	BRASS	.718	.547
3B2-6				PRE-TINNED BRASS		
3B3-6				BRASS		
3B4-6				PRE-TINNED BRASS		
3B1-5	NO INSULATION GRIP	6	.020	BRASS	.527	.356
3B2-5				PRE-TINNED BRASS		
3B3-5				BRASS		
3B4-5				PRE-TINNED BRASS		
3B1-8	.075-.175	8	.020	BRASS	.718	.547
3B2-8				PRE-TINNED BRASS		
3B3-8				BRASS		
3B4-8				PRE-TINNED BRASS		
3B1-7	NO INSULATION GRIP	8	.020	BRASS	.527	.356
3B2-7				PRE-TINNED BRASS		
3B3-7				BRASS		
3B4-7				PRE-TINNED BRASS		
3B1-10	.075-.175	10	.020	BRASS	.718	.547
3B2-10				PRE-TINNED BRASS		
3B3-10				BRASS		
3B4-10				PRE-TINNED BRASS		
3B1-9	NO INSULATION GRIP	10	.020	BRASS	.527	.356
3B2-9				PRE-TINNED BRASS		
3B3-9				BRASS		
3B4-9				PRE-TINNED BRASS		

PROD. REL.	PERCA	3-10-61	JR	TOLERANCES UNLESS OTHERWISE SPECIFIED :		
QUOTE REL.				DECIMALS ±.010	METRIC ± 0.25mm	ANGLES ± 1°
DR.:	R. TASTULA	4-26-99		MATERIAL: SEE TABLE		
CHK'D.:	R. W. T.	4-27-99		FINISH: SEE TABLE		
APP.:	COB	4-29-99		PART NO.: 4000-3B/		
U	REVISION WAS P PER ECR #11757	4-26-99	RT.	SUPERSEDES DWG DATED: 12-23-86		
REV.	DESCRIPTION	DATE	DR.	SCALE: CH3 F.M.F.		

ORIGINAL IF RED