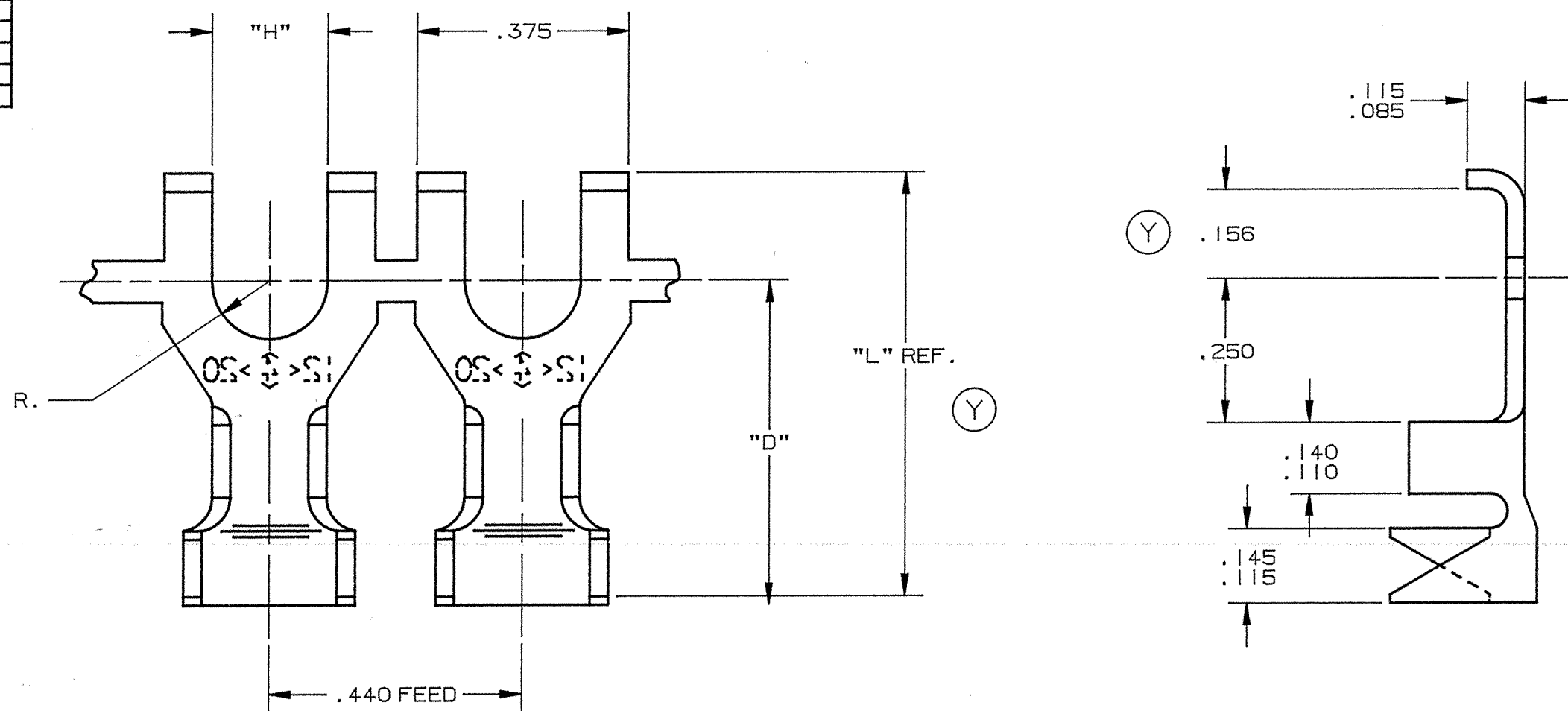


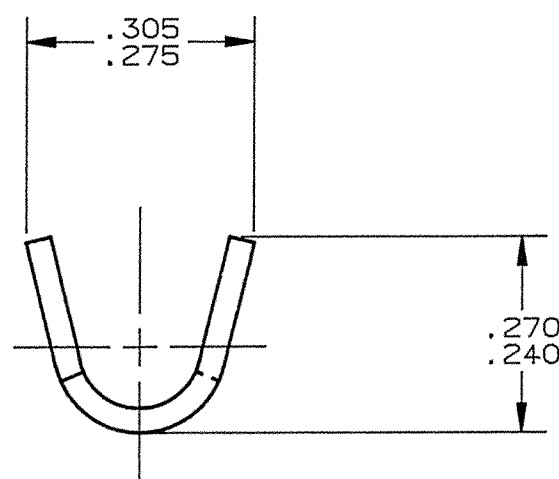
DEPT	1
1	
2	
3	
4	3
5	
6	
7	
8	
9	
10	
11	
12	
NC	
JZ	

PART NAME: TERMINAL, FLANGED SPADE

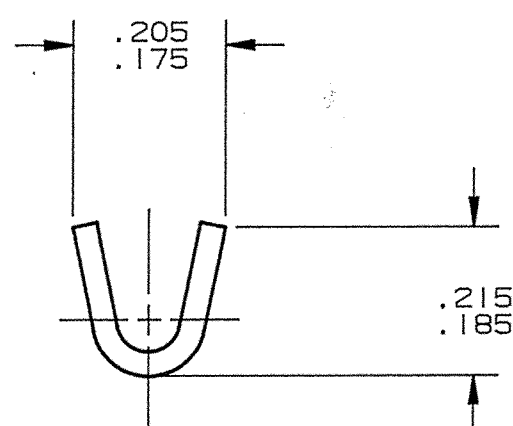
PART NO: 4000-4B/



PART NUMBER	STK THK ±.001	FINISH	STUD SIZE	"H"	INSUL. DIA.	"D"	"L" ±.015	REMARKS
4000-4B1-5	.020	NONE	*6	.146	NO INSULATION GRIP	.377	.565	
4000-4B2-5		PRETINNED						
4000-4B3-5		NONE						
4000-4B4-5	.032	PRETINNED	*6	.146	.075-.175	.567	.755	
4000-4B1-6	.020	NONE						
4000-4B2-6		PRETINNED						
4000-4B3-6		NONE	*8	.172	NO INSULATION GRIP	.377	.565	
4000-4B4-6	.032	PRETINNED						
4000-4B1-7	.020	NONE						
4000-4B2-7		PRETINNED	*8	.172	.075-.175	.567	.755	
4000-4B3-7	.032	NONE						
4000-4B4-7		PRETINNED						
4000-4B1-8	.020	NONE	*10	.198	NO INSULATION GRIP	.377	.565	
4000-4B2-8		PRETINNED						
4000-4B3-8	.032	NONE						
4000-4B4-8		PRETINNED	*10	.198	.075-.175	.567	.755	
4000-4B1-9	.020	NONE						
4000-4B2-9		PRETINNED						
4000-4B3-9	.032	NONE	*10	.198	.075-.175	.567	.755	
4000-4B4-9		PRETINNED						
4000-4B1-10	.020	NONE						
4000-4B2-10		PRETINNED	*10	.198	.075-.175	.567	.755	
4000-4B3-10	.032	NONE						
4000-4B4-10		PRETINNED						
4000-4B4-12	.032	PRETINNED	—	.224	.075-.175	.567	.755	
4000-4B12-10	.032	*430 STAINLESS STEEL, ANNEALED	*10	.198	.075-.175	.567	.755	NOT U.L. LISTED NOT C.S.A. RECOGNIZED

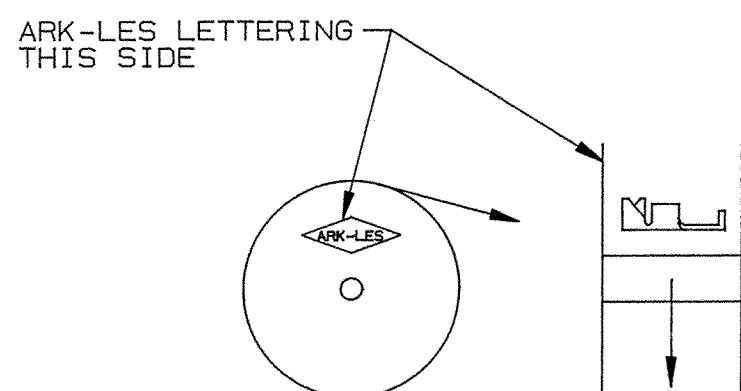


INSULATION GRIP

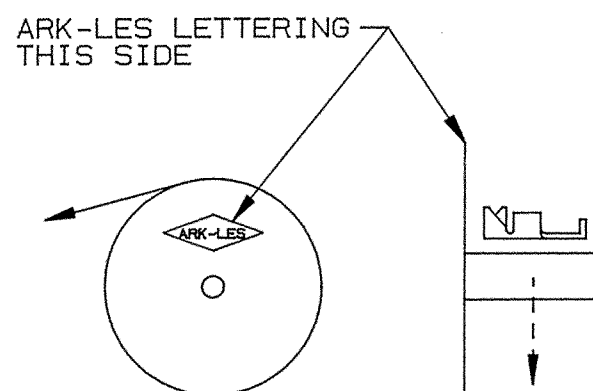


WIRE GRIP

- NOTES:
1. TO ACCOMMODATE #12-#20 AWG GAUGE WIRE.
 2. RECOMMENDED STRIP LENGTH: 3/16 ±1/32
 3. FOR STANDARD REELING SEE FIGURE 1.
 4. FOR REVERSE REELING ADD SUFFIX "R" TO PART NUMBER (I.E. 4B1-6R) SEE FIGURE 2.
 5. FOR LOOSE PIECE TERMINALS ADD SUFFIX "-1" TO PART NUMBER (I.E. 4B1-6-1).



STANDARD REELING
(I.E. 4B1-6)



REVERSE REELING
(I.E. 4B1-6R)

WINDING DIAGRAMS

ARK-LES UNCONTROLLED

PROD. REL.	PER CA	3/10/91	JR	TOLERANCES UNLESS OTHERWISE SPECIFIED:
QUOTE REL.				DECIMALS ±.010 METRIC ±0.25mm ANGLES ±1°
DR:	R. TASTULA	3/13/97		MATERIAL: BRASS
CHK'D:	R.W.T.	3-14-97		FINISH: SEE TABLE
APP:	3-14-97			PART NO: 4000-4B/
Y	REVISED, REV. WAS K PER ECR #11235	3/13/97	RT	SUPERCEDES DWG. DATED: 1/14/91
REV.	DESCRIPTION	DATE	DR.	SCALE: 4:1 CAD NO: CWD0001

ORIGINAL