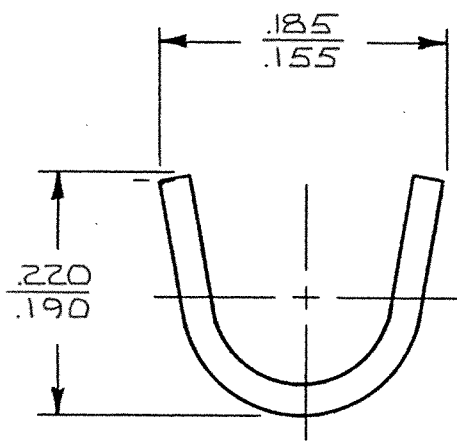
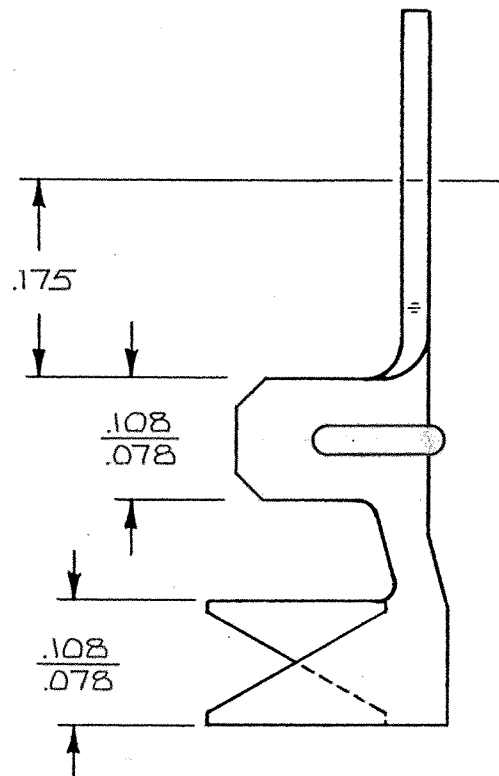
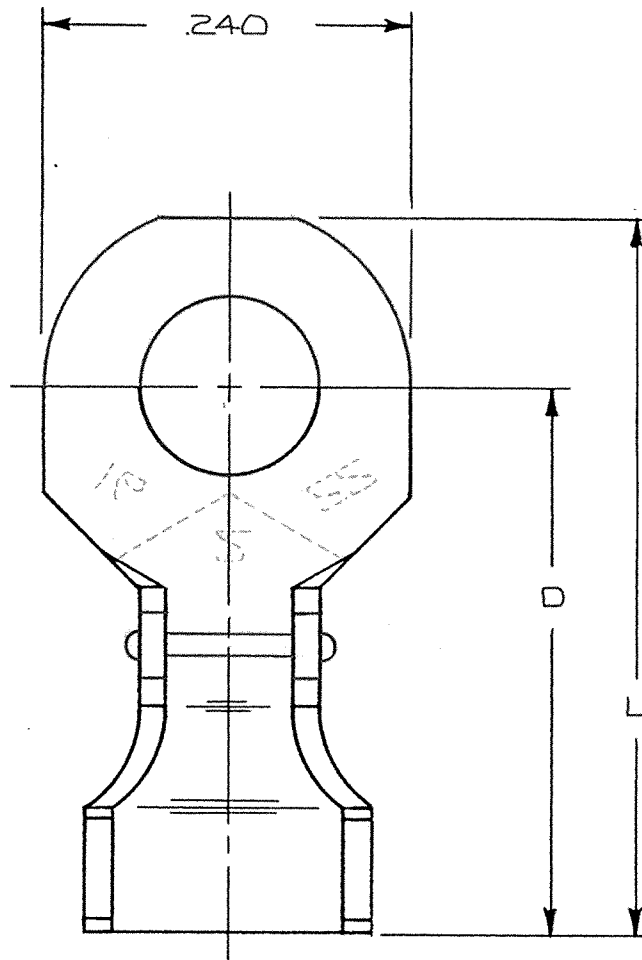


DEPT	1
1	1
2	
3	
4	2
5	
6	
7	
8	
9	
10	
11	
12	
ME.	

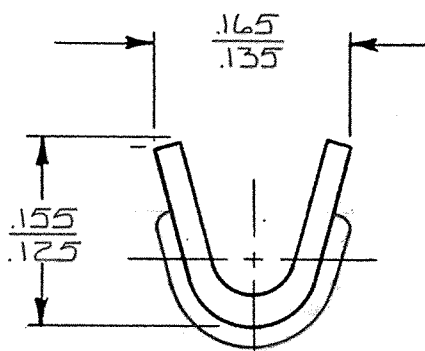
PART NAME: TERMINAL - RING

SHEET 1 OF 2

PART NO. 4000-26/



INSULATION GRIP



WIRE GRIP

NOTES:

- 1. WIRE RANGE: 16-22
- 2. FEED DIM: .335

ARK-LES
UNCONTROLLED

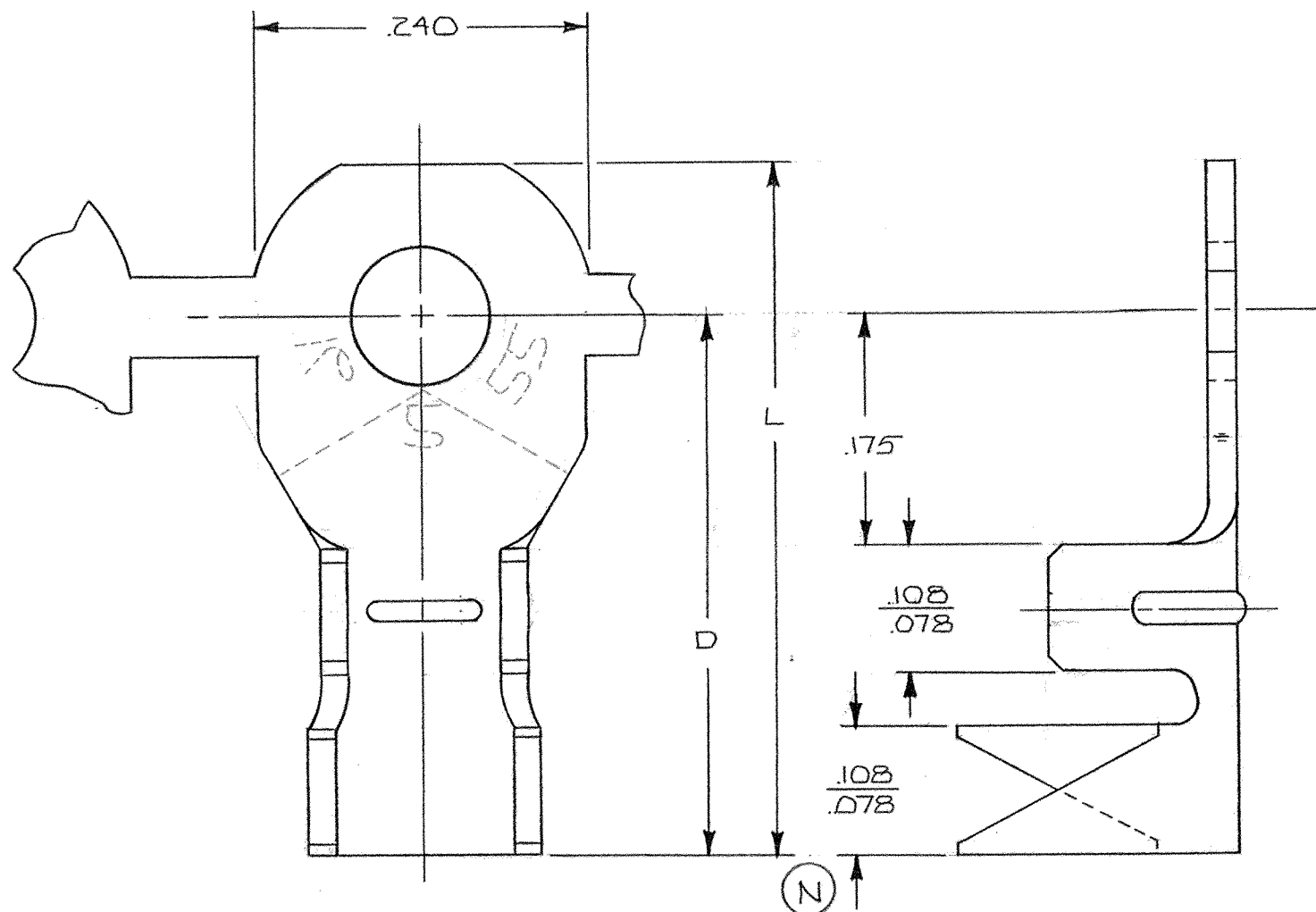
PART NO.	INS. DIA.	STUD SIZE	STOCK THK. ±.001	MATERIAL / FINISH	"L" DIM.	"D" DIM.
261-00 262-00	.075-.125	0	.020	BRASS PRE-TINNED BRASS	.520	.393
261-0 262-0	NO INSULATION GRIP	0	.020	BRASS PRE-TINNED BRASS	.385	.268
261-2 262-2	.075-.125	2	.020	BRASS PRE-TINNED BRASS	.520	.393
261-1 262-1	NO INSULATION GRIP	2	.020	BRASS PRE-TINNED BRASS	.385	.268
261-4 262-4	.075-.125	4	.020	BRASS PRE-TINNED BRASS	.520	.393
261-3 262-3	NO INSULATION GRIP	4	.020	BRASS PRE-TINNED BRASS	.385	.268
261-6 262-6 261-6C	.075-.125	6	.020 .020	BRASS PRE-TINNED BRASS BRASS - NICKEL PLT. AFTER FAB.	.520	.393
261-5 262-5	NO INSULATION GRIP	6	.020	BRASS PRE-TINNED BRASS	.385	.268
261-8 262-8	.075-.125	.176 .168	.020	BRASS PRE-TINNED BRASS	.520	.393
261-7 262-7	NO INSULATION GRIP	.176 .168	.020	BRASS PRE-TINNED BRASS	.385	.268

ORIGINAL

PROD. REL.	PER CA	3-21-61	JR	TOLERANCES UNLESS OTHERWISE SPECIFIED:
QUOTE REL.				DECIMALS ±.010 METRIC ± 0.25mm ANGLES ± 1°
R REV. PER ECR 5000040	2-24-86	D.O.	DR.: A. PAPIA	12-22-86
P REV. P WAS G PER ECR #12070	9-3-00	RT	CHK'D.:	
G REVISED & REDRAWN: WIRE & INSULATION DIM'S ADDED: ECR 6012	12-22-86	AP	APP.: B. S. 12-30-86	
REV.	DESCRIPTION	DATE	DR.	SCALE: C43 F.M.F.
				SUPERSEDES DWG DATED: 9-4-75
				PART NO.: 4000-26/

DEPT	
1	1
2	
3	
4	2
5	
6	
7	
8	
9	
10	
11	
12	
ME	

PART NAME: RING TERMINAL

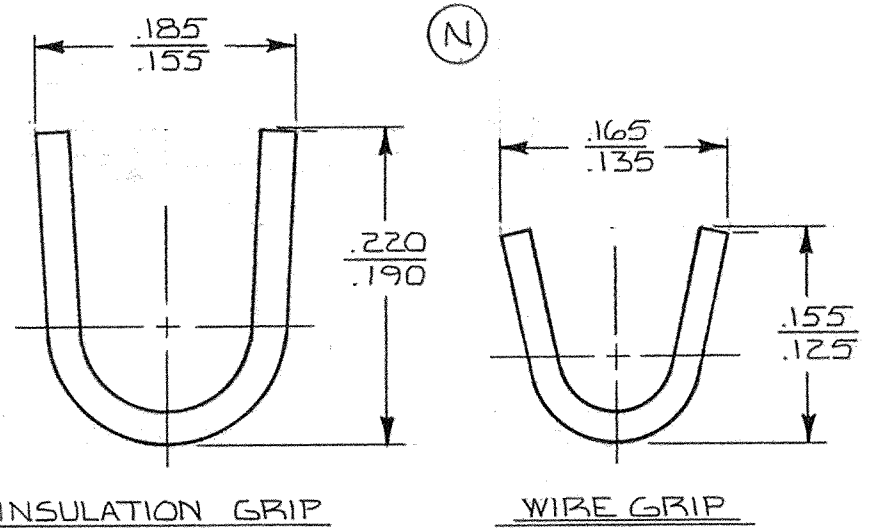


(M)

PART NO.	INS. DIA.	HOLE SIZE	STOCK THK. ±.001	MATERIAL / FINISH	"L" DIM.	"D" DIM.
ZG1-2A ZG2-2A	.075/.125	.085 .080	.020	BRASS PRE TINNED	.520	.393
ZG1-4A ZG2-4A	.075/.125	.103 .099	.020	BRASS PRE TINNED	.520	.393
ZG1-6A ZG2-6A	.075/.125	.135 .129	.020	BRASS PRE TINNED	.520	.393
ZG1-5A ZG2-5A	NO INSULATION GRIP	.135 .129	.020	BRASS PRE TINNED	.385	.268

NOTES
 1. TO ACCOMMODATE #16-22 GA. WIRE
 2. RECOMMENDED STRIP LENGTH 1/8" ± 1/32
 3. FEED: .336

ARK-LES
UNCONTROLLED



INSULATION GRIP

WIRE GRIP

R	REV PER ECR 5000040	2-24-84	DD	PROD. REL.	60090	12-21-61	BA	TOLERANCES UNLESS OTHERWISE SPECIFIED :
P	REVISED PER ECR 112070	9-8-80	RT	QUOTE REL.	60090	12-21-61	BA	DECIMALS ± .010 METRIC ± 0.25mm ANGLES ± 1°
N	WIRE & INSULATION GRIP DIMS.	12-22-86	AP	DR.:	A.PAPAS	8-11-86		MATERIAL: SEE TABLE
	ADDED ECR 6012			CHK'D.:	R.W.T.			
M	REVISED & REDRAWN ZG2-2A ADDED ECR 5840	8-11-86	AP	APP.:	R.W.T.	8-15-86		FINISH: SEE TABLE
REV.	DESCRIPTION	DATE	DR.	SCALE:	4	F.M.F.		PART NO.: 4000-ZG/

ORIGINAL