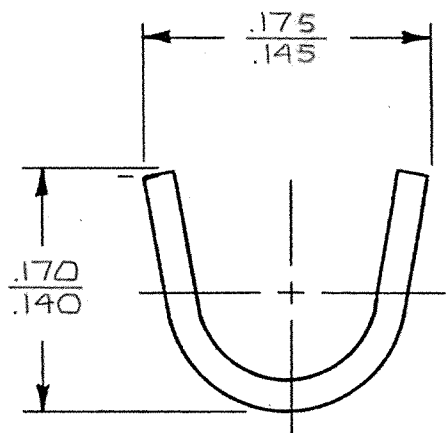
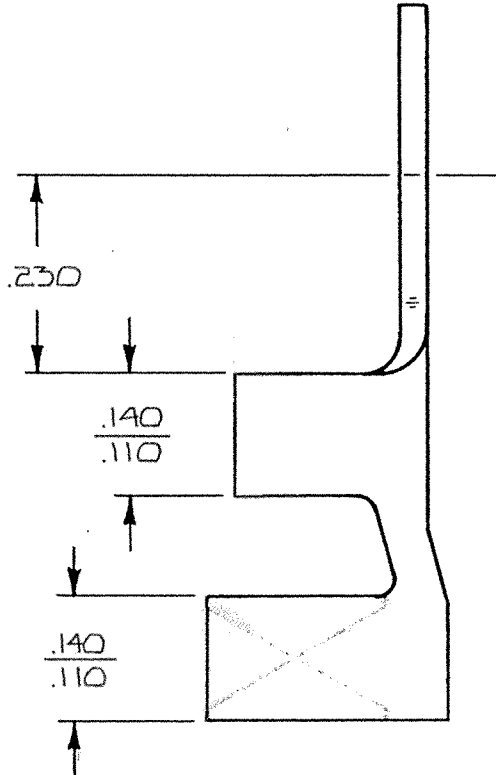
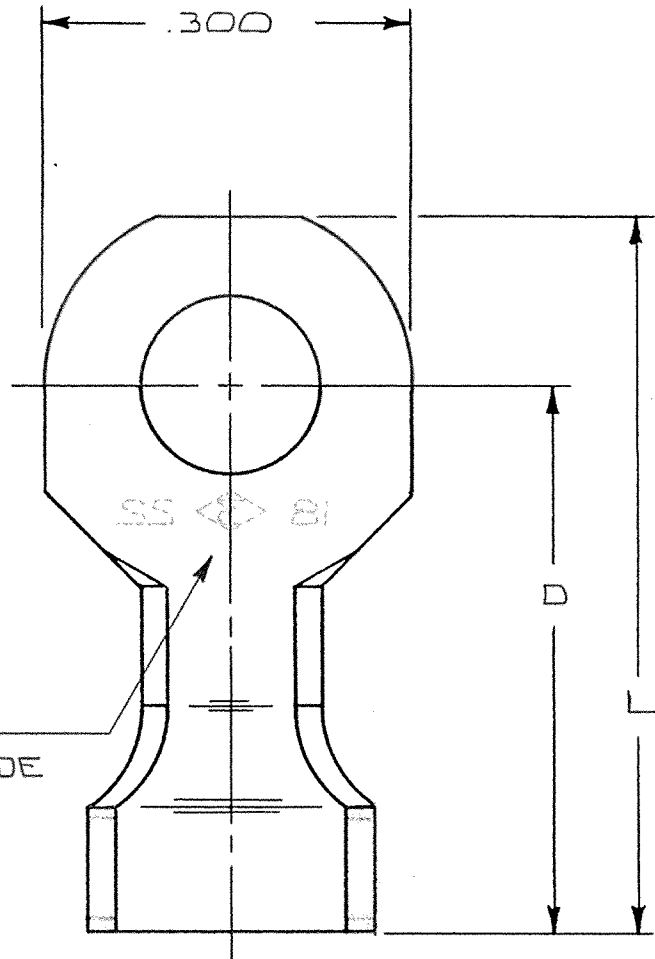


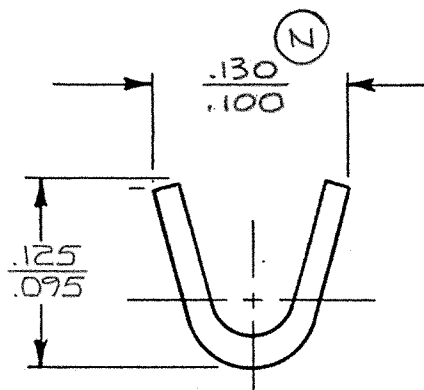
DEPT	1
1	1
2	
3	
4	3
5	
6	
7	
8	
9	
10	
11	
12	
ME.	

PART NAME: TERMINAL - RING

PART NO. 4000-3G/-3



INSULATION GRIP



WIRE GRIP

NOTES:

- 1. WIRE RANGE : 18-24
- 2. FEED DIM: .400

ARK-LES
UNCONTROLLED

PART NO.	INS. DIA.	STUD SIZE	STOCK THK. ±.001	MATERIAL / FINISH	"L" DIM.	"D" DIM.
3G1-4-3 3G2-4-3	.075-.125	4	.020	BRASS PRE-TINNED BRASS	.718	.547
3G1-3-3 3G2-3-3	NO INSULATION GRIP	4	.020	BRASS PRE-TINNED BRASS	.527	.356
3G1-6-3 3G2-6-3	.075-.125	6	.020	BRASS PRE-TINNED BRASS	.718	.547
3G1-5-3 3G2-5-3	NO INSULATION GRIP	6	.020	BRASS PRE-TINNED BRASS	.527	.356
3G1-8-3 3G2-8-3	.075-.125	8	.020	BRASS PRE-TINNED BRASS	.718	.547
3G1-7-3 3G2-7-3	NO INSULATION GRIP	8	.020	BRASS PRE-TINNED BRASS	.527	.356
3G1-10-3 3G2-10-3	.075-.125	10	.020	BRASS PRE-TINNED BRASS	.718	.547
3G1-9-3 3G2-9-3	NO INSULATION GRIP	10	.020	BRASS PRE-TINNED BRASS	.527	.356
3G10-5-3	.075-.125	10	.020	BRASS NI PLATED	.718	.547
3G2-8-3A	SEE SEPARATE 'A' SIZE DRAWING					
3G2-5-3AD	NO INSULATION GRIP	6	.020	BRASS ELECTRO-TIN PLATE .001 MIN. AFTER FABRICATION	.527	.356

PROD. REL.	7000Z	6-19-70	RJR	TOLERANCES UNLESS OTHERWISE SPECIFIED :		
QUOTE REL.				DECIMALS ± .010	METRIC ± 0.25mm	ANGLES ± 1°
DR.:	R. TASTOLA	11-17-97		MATERIAL: SEE TABLE		
CHK'D.:	R. WIT.	11-17-97		FINISH: SEE TABLE		
APP.:	CoR	11-24-97		PART NO.: 4000-3G/-3		
N	REVISED PER ECR # 11402	11-17-97	RT	SUPERSEDES DWG DATED: 12-30-86		
REV.	DESCRIPTION	DATE	DR.	SCALE: CHS F.M.F.		