

# ARK-LES CORPORATION

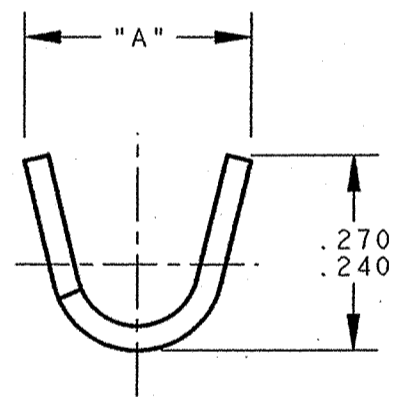
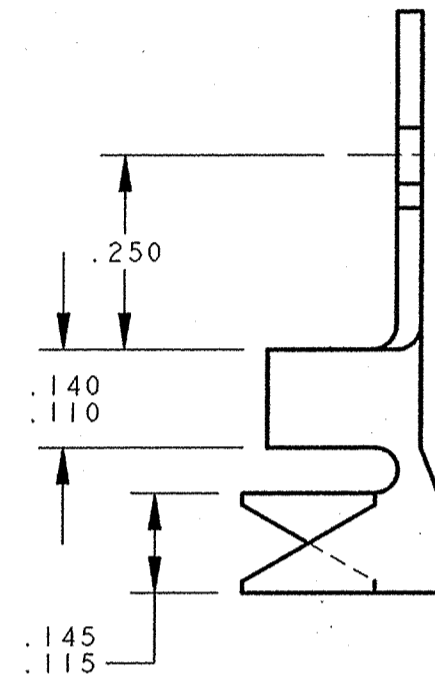
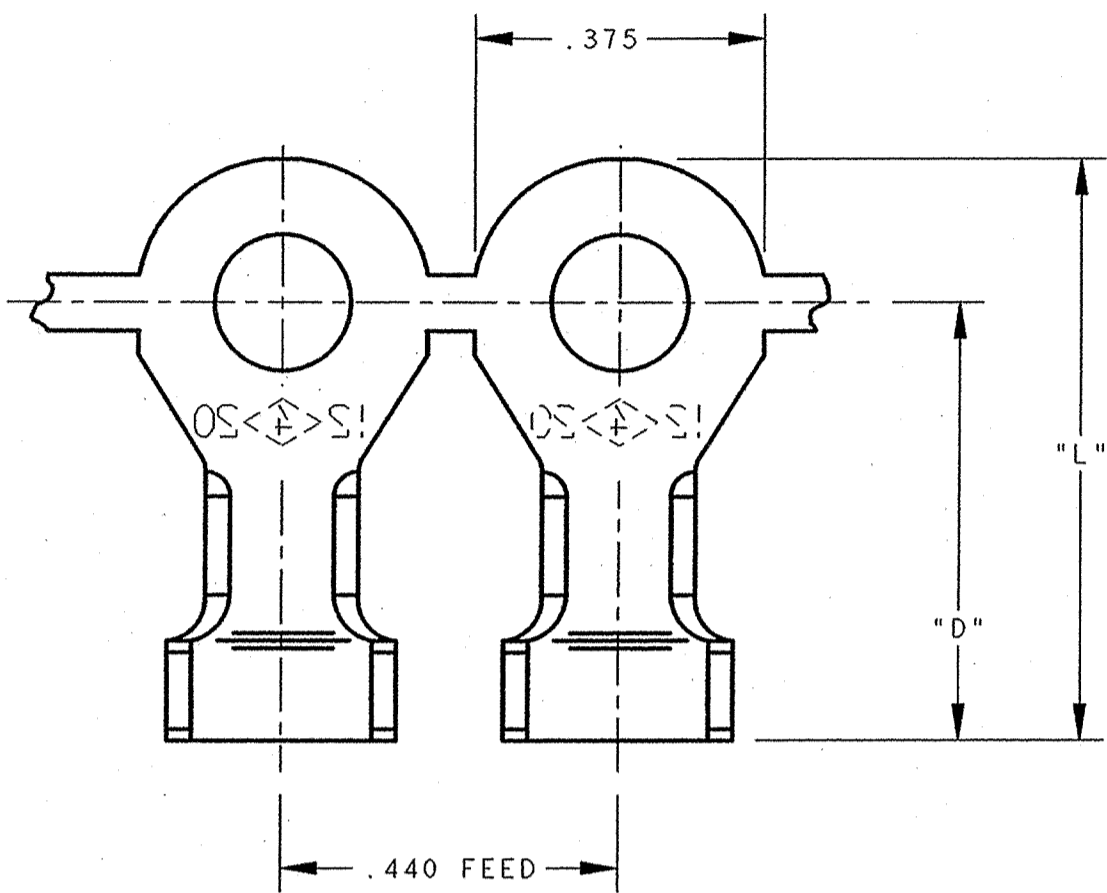
PART NAME: RING TERMINAL

CUSTOMER DRAWING

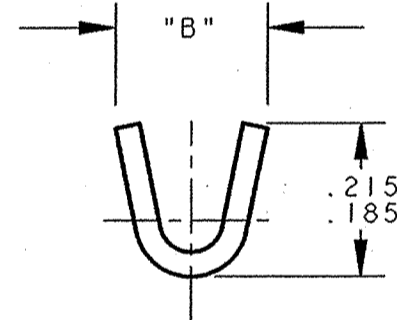
SHEET 1 OF 4

PART NO:

4000 4G/



INSULATION GRIP



WIRE GRIP

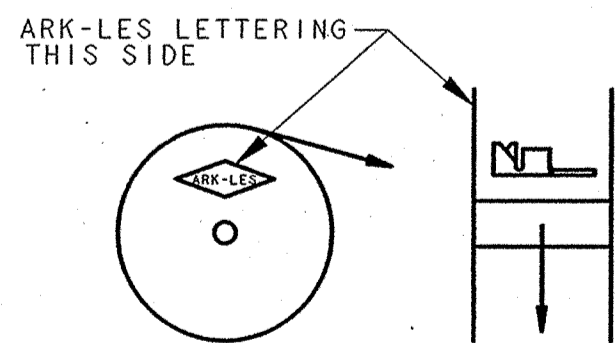


FIGURE 1  
STANDARD REELING  
(I.E. 4000 4G1-5)

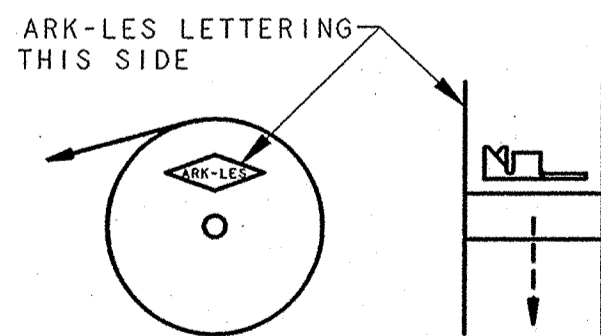


FIGURE 2  
REVERSE REELING  
(I.E. 4000 4G1-5R)

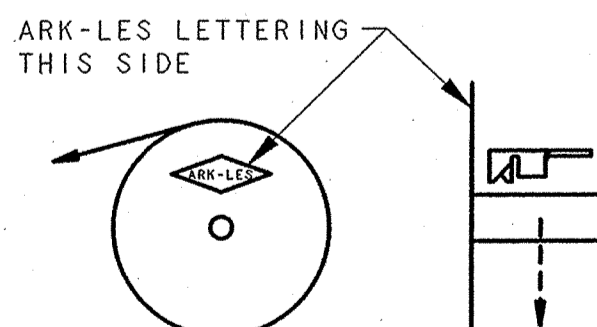


FIGURE 3  
TIMES DOWN  
W/REVERSE REELING  
(I.E. 4000 4G1-5U)

PART NUMBER	INSULATION DIAMETER	STUD SIZE	STOCK THICK. ±.001	FINISH	"A" ±.015	"B"	"D"	"L"
4000 4G1-5	NO INSULATION GRIP	#6	.020	NONE		.180	.377	.565
4000 4G2-5				PRETINNED				
4000 4G3-5			.032	NONE	.200			
4000 4G4-5				PRETINNED				
4000 4G1-6	.075-.175	#6	.020	NONE	.282	.180	.567	.755
4000 4G2-6				PRETINNED				
4000 4G3-6			.032	NONE	.302	.200		
4000 4G4-6				PRETINNED				
4000 4G1-7	NO INSULATION GRIP	#8	.020	NONE		.180	.377	.565
4000 4G2-7				PRETINNED				
4000 4G3-7			.032	NONE	.200			
4000 4G4-7				PRETINNED				
4000 4G1-8	.075-.175	#8	.020	NONE	.282	.180	.567	.755
4000 4G2-8				PRETINNED				
4000 4G3-8			.032	NONE	.302	.200		
4000 4G4-8				PRETINNED				
4000 4G1-9	NO INSULATION GRIP	#10	.020	NONE		.180	.377	.565
4000 4G2-9				PRETINNED				
4000 4G3-9			.032	NONE	.200			
4000 4G4-9				PRETINNED				
4000 4G1-10	.075-.175	#10	.020	NONE	.282	.180	.567	.755
4000 4G2-10				PRETINNED				
4000 4G3-10			.032	NONE	.302	.200		
4000 4G4-10				PRETINNED				
4000 4G4-10AN				NICKEL PLATE				
4000 4G1-11	NO INSULATION GRIP	1/4	.020	NONE		.180	.377	.565
4000 4G2-11				PRETINNED				
4000 4G3-11			.032	NONE	.200			
4000 4G4-11				PRETINNED				
4000 4G1-12	.075-.175	1/4	.020	NONE	.282	.180	.567	.755
4000 4G2-12				PRETINNED				
4000 4G3-12			.032	NONE	.302	.200		
4000 4G4-12				PRETINNED				

NOTES:

1. TO ACCOMMODATE #12-#20 AWG GAUGE WIRE.
2. RECOMMENDED WIRE STRIP LENGTH: 3/16 ±1/32
3. FOR STANDARD REELING SEE FIGURE 1.
4. FOR REVERSE REELING ADD SUFFIX "R" TO PART NUMBER (I.E. 4000-4G1-5R) SEE FIGURE 2.
5. FOR LOOSE PIECE TERMINALS ADD SUFFIX "-1" TO PART NUMBER (I.E. 4000-4G1-5-1)
6. FOR PAPER INTERLEAVING ADD SUFFIX "K" TO PART NUMBER (I.E. 4000-4G1-5K).
7. FOR REVERSE REELING AND ORIENTATION OF THE TERMINAL TINES DOWN (SEE FIGURE 3) ADD SUFFIX "U" TO PART NUMBER (I.E. 4000 4G1-5U).

ARK-LES  
UNCONTROLLED

ORIGINAL IF RED

REV.	DESCRIPTION	DATE	DR.	SCALE: 4=1	CAD NO: 46.NEVA-SHT1.CUST	PROD. REL.	PER CA	3/10/61	JR	TOLERANCES UNLESS OTHERWISE SPECIFIED:
						QUOTE REL.				DECIMALS ±.010 METRIC ±0.25mm ANGLES ±1°
AC	REV. PER ECR# S000299	1/28/09	DR	CHK'D: <i>Donna Allio</i>		DR: R. TASTULA		2/20/97		MATERIAL: BRASS
AB	NOTE 6 ADDED PER ECR #11547	7/9/98	RT	APP: <i>R. TASTULA 2-17-99</i>						FINISH: SEE TABLE
AA	REVISED - REV. AA WAS W PER ECR #11228	2/20/97	RT	SUPERCEDES DWG. DATED: 1/14/97						PART NO: 4000 4G/

# ARK-LES CORPORATION

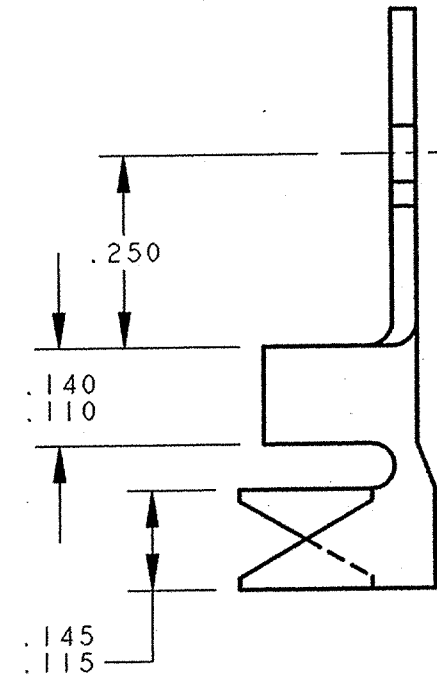
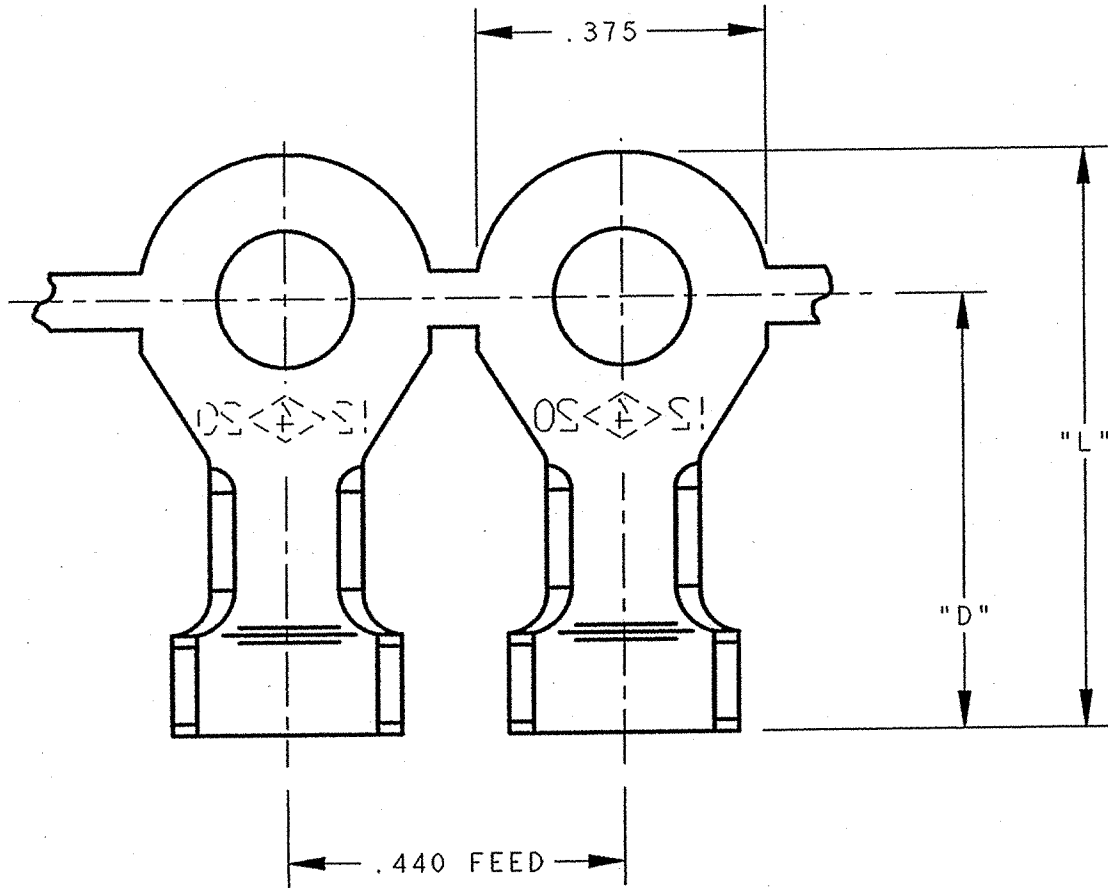
PART NAME: RING TERMINAL

CUSTOMER DRAWING

SHEET 2 OF 4

PART NO:

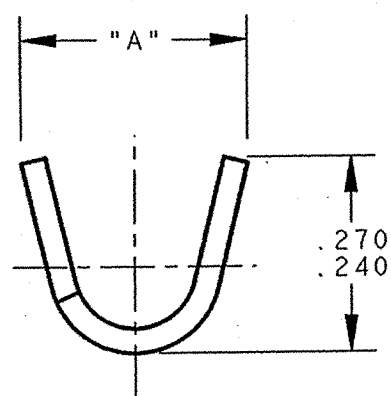
4000 4G/



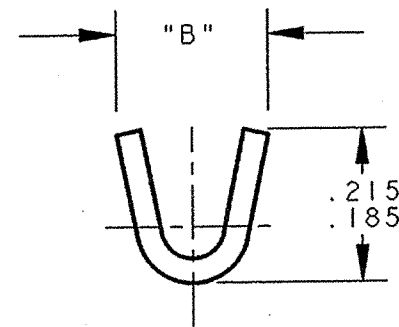
PART NUMBER	INSULATION DIAMETER	STUD SIZE	STOCK THICK. ±.001	FINISH	"A" ±.015	"B"	"D"	"L"
4000 4G1-5A	NO INSULATION GRIP	#12	.128	NONE	.282	.180	.377	.565
4000 4G1-15			.020	NONE				
4000 4G2-15			.032	PRETINNED				
4000 4G3-15				NONE				
4000 4G4-15				PRETINNED				
4000 4G1-16	.075-.175	#12	.020	NONE	.302	.200	.567	.755
4000 4G2-16			PRETINNED					
4000 4G3-16			NONE					
4000 4G4-16			PRETINNED					

NOTES:

1. SEE SHEET ONE FOR NOTES AND REELING INFO.



INSULATION GRIP



WIRE GRIP

ARK-LES  
UNCONTROLLED

ORIGINAL IF RED

REV.	DESCRIPTION	DATE	DR.	SCALE: 4=1	CAD NO: 46.REVAC-SHT2.CUST																														
AC	REV. PER ECR #S000299	1/28/09	DON	CHK'D: <i>[Signature]</i>																															
AR	NOTE 6 ADDED PER ECR #11547	7/10/98	RT	APP: <i>[Signature]</i>																															
AA	REVISED - REV. AA WAS W PER ECR #11220	2/20/97	RT	SUPERCEDES DWG. DATED: 1/14/97																															
<table border="1"> <tr> <td>PROD. REL.</td> <td>62430</td> <td>10/31/61</td> <td>BA</td> <td colspan="2">TOLERANCES UNLESS OTHERWISE SPECIFIED:</td> </tr> <tr> <td>QUOTE REL.</td> <td>56134</td> <td>10/31/61</td> <td>BA</td> <td colspan="2">DECIMALS ±.01 (METRIC ±0.25mm) ANGLES ±1°</td> </tr> <tr> <td>DR:</td> <td>R. TASTULA</td> <td>2/20/97</td> <td colspan="3">MATERIAL: BRASS</td> </tr> <tr> <td colspan="4"></td> <td>FINISH:</td> <td>SEE TABLE</td> </tr> <tr> <td colspan="4"></td> <td>PART NO:</td> <td>4000 4G/</td> </tr> </table>						PROD. REL.	62430	10/31/61	BA	TOLERANCES UNLESS OTHERWISE SPECIFIED:		QUOTE REL.	56134	10/31/61	BA	DECIMALS ±.01 (METRIC ±0.25mm) ANGLES ±1°		DR:	R. TASTULA	2/20/97	MATERIAL: BRASS							FINISH:	SEE TABLE					PART NO:	4000 4G/
PROD. REL.	62430	10/31/61	BA	TOLERANCES UNLESS OTHERWISE SPECIFIED:																															
QUOTE REL.	56134	10/31/61	BA	DECIMALS ±.01 (METRIC ±0.25mm) ANGLES ±1°																															
DR:	R. TASTULA	2/20/97	MATERIAL: BRASS																																
				FINISH:	SEE TABLE																														
				PART NO:	4000 4G/																														

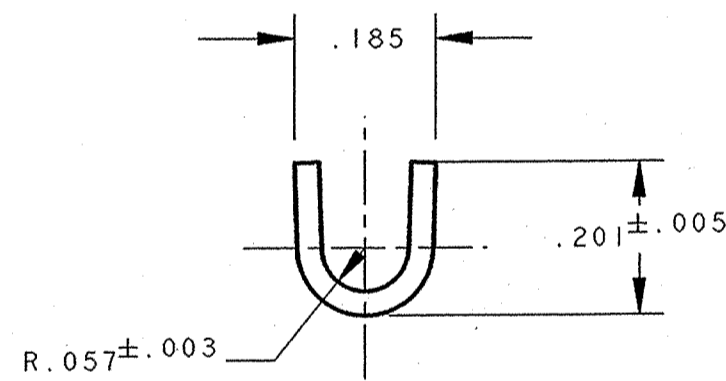
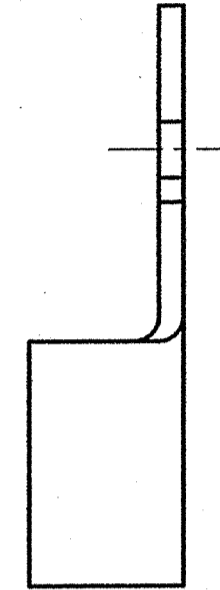
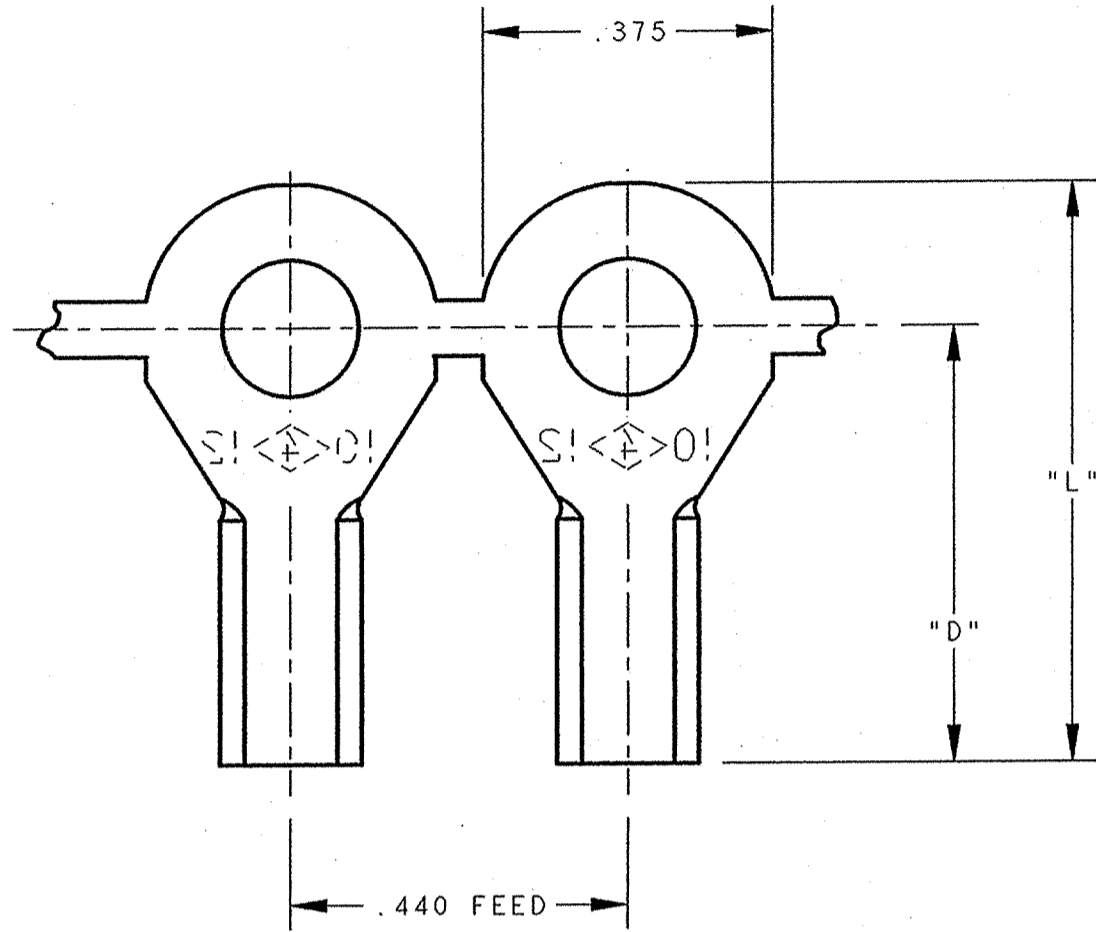
# ARK-LES CORPORATION

PART NAME: RING TERMINAL

CUSTOMER DRAWING SHEET 3 OF 4

PART NO: **4000 4G/**

PART NUMBER	INSULATION DIAMETER	STUD SIZE	STOCK THICK. ±.001	FINISH	"D"	"L"
4000 4G3-5-2	NO INSULATION GRIP	#6	.032	NONE	.567	.755
4000 4G4-5-2		.150		PRETINNED PCS 1007		
4000 4G3-9-2		#10		NONE		
4000 4G4-9-2		.202		PRETINNED PCS 1007		
4000 4G3-11-2		.194		NONE		
4000 4G4-11-2		1/4		PRETINNED PCS 1007		
		.270				
		.260				



WIRE GRIP

NOTES:  
 1. TO ACCOMMODATE #10-#12 AWG GAUGE WIRE.  
 2. SEE SHEET 1 FOR ADDITIONAL NOTES AND REELING INFO.

ARK-LES  
UNCONTROLLED

ORIGINAL IF RED

REV.	DESCRIPTION	DATE	DR.	SCALE: 4=1	CAD NO: 46.REVAC-SHT3.CUST	PART NO: 4000 4G/
AC	REV. PER ECR #S000299	1/28/09	DON	CHK'D: <i>Daniel</i>	2/20/09	MATERIAL: BRASS
AB	NOTE 6 ADDED PER ECR #11547	7/19/08	RT	APP: <i>ET</i>	2/17/09	FINISH: SEE TABLE
AA	REVISED - REV. AA WAS W PER ECR #11228	2/20/07	RT	SUPERCEDES DWG, DATED: 1/14/07		PART NO: 4000 4G/

# ARK-LES CORPORATION

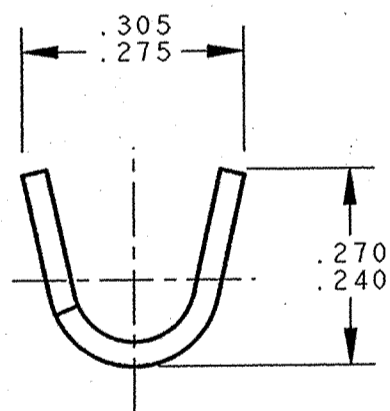
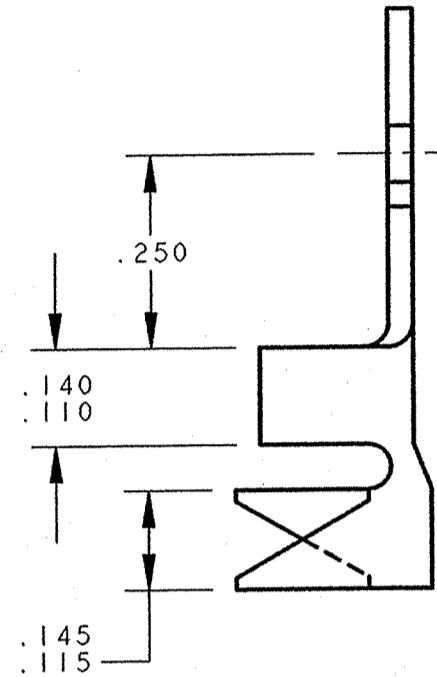
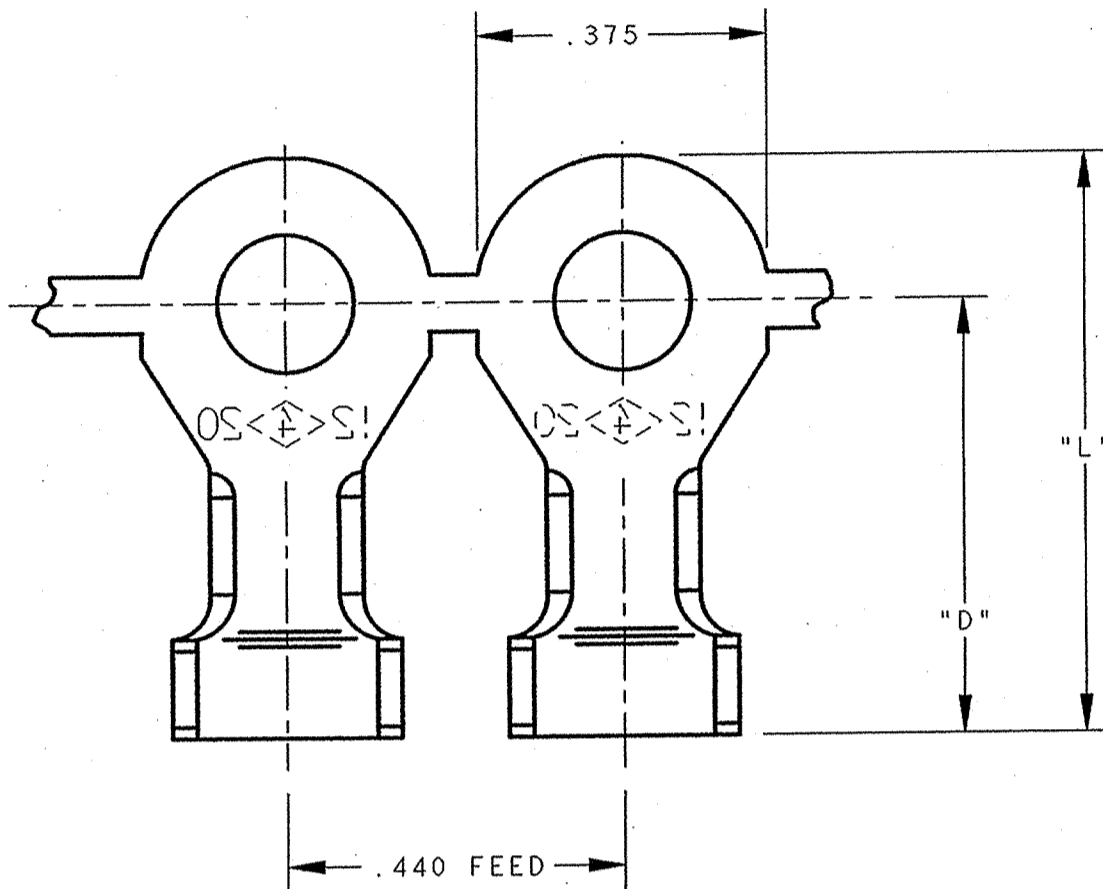
PART NAME: RING TERMINAL

CUSTOMER DRAWING

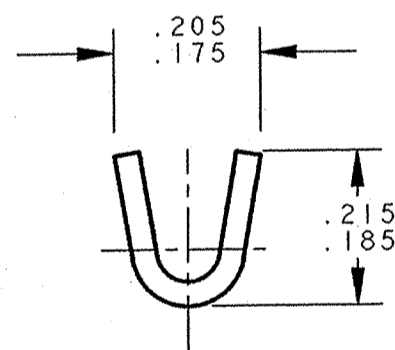
SHEET 4 OF 4

PART NO:

4000 4G/



INSULATION GRIP



WIRE GRIP

PART NUMBER	INSULATION DIAMETER	STUD SIZE	STOCK THICK. ±.001	FINISH	"D"	"L"
4000 4G3-5A	NO INSULATION GRIP	.101 .096	.032	NONE	.377	.565
4000 4G4-5A				PRETINNED PCS 1007		
4000 4G3-6A	.075-.175			NONE	.567	.755
4000 4G4-6A				PRETINNED PCS 1007		
4000 4G3-7A	NO INSULATION GRIP	.115 .110		NONE	.377	.565
4000 4G4-7A				PRETINNED PCS 1007		
4000 4G3-8A	.075-.175			NONE	.567	.755
4000 4G4-8A				PRETINNED PCS 1007		

NOTES:

1. SEE SHEET 1 FOR NOTES AND REELING INFO.

ARK-LES  
UNCONTROLLED

ORIGINAL IF RED

REV.	DESCRIPTION	DATE	DR.	SCALE: 4=1	CAD NO: 46_REVAC-SHT4.CUST
AC	REV. PER ECR #S000299	1/28/09	DR	CHK'D: <i>R. TASTULA</i>	2/20/09
AB	NOTE 6 ADDED PER ECR #11547	7/10/08	RT	APP: <i>R. TASTULA</i>	2-17-09
AA	REVISED - REV. AA WAS W PER ECR #11226	2/20/07	RT	SUPERCEDES DWG. DATED: 1/14/07	

PROD. REL.	PER CA	3/10/01	JR	TOLERANCES UNLESS OTHERWISE SPECIFIED:
QUOTE REL.				DECIMALS ±.01 METRIC ±0.25mm ANGLES ±1°
DR: R. TASTULA 2/20/07				MATERIAL: BRASS
FINISH: SEE TABLE				PART NO: 4000 4G/