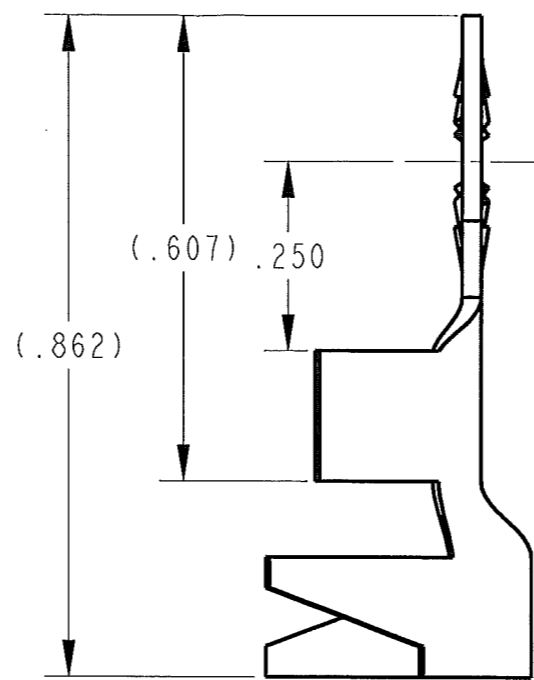
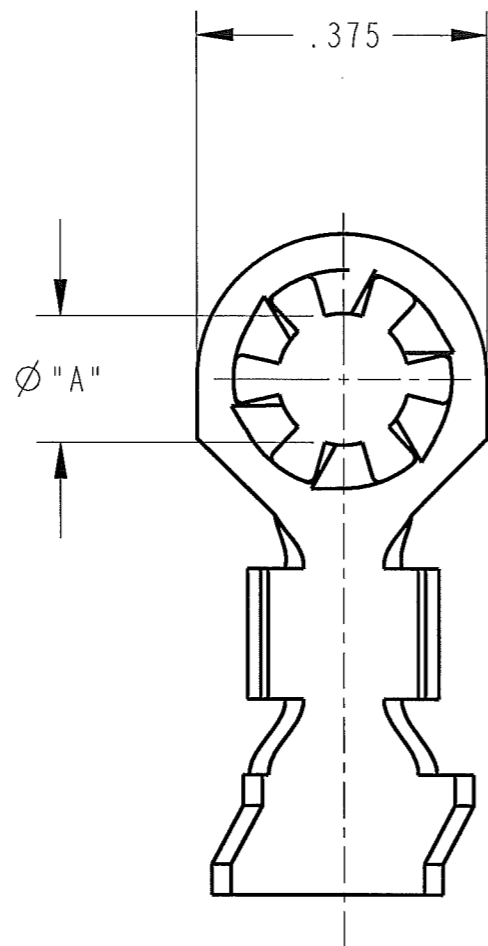
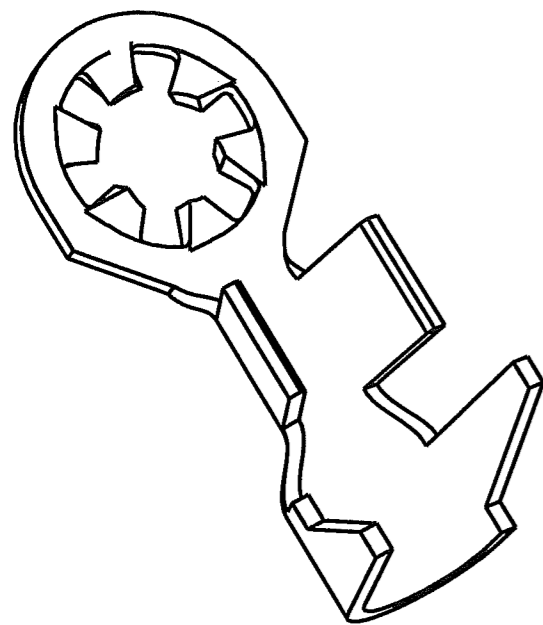


CUSTOMER DRAWING

P/N: 4000 A4G97/899/

REV
AE

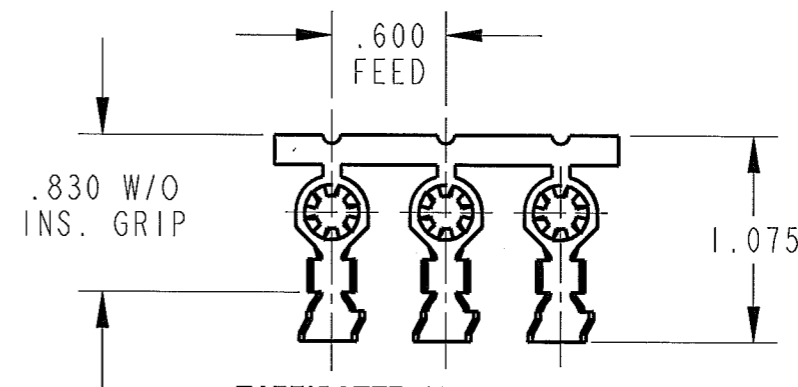


PART NUMBER	STUD SIZE	"A" DIA.	WIRE RANGE	INSULATION RANGE
4000 A4G97-7	8	.172	18-12	NONE
4000 A4G97-8				.075 - .175
4000 A4G97-9	10	.198	18-12	NONE
4000 A4G97-10				.075 - .175
4000 A4G99-7	8	.172	14-10	NONE
4000 A4G99-8				.075 - .175
4000 A4G99-9	10	.198	14-10	NONE
4000 A4G99-10				.075 - .175

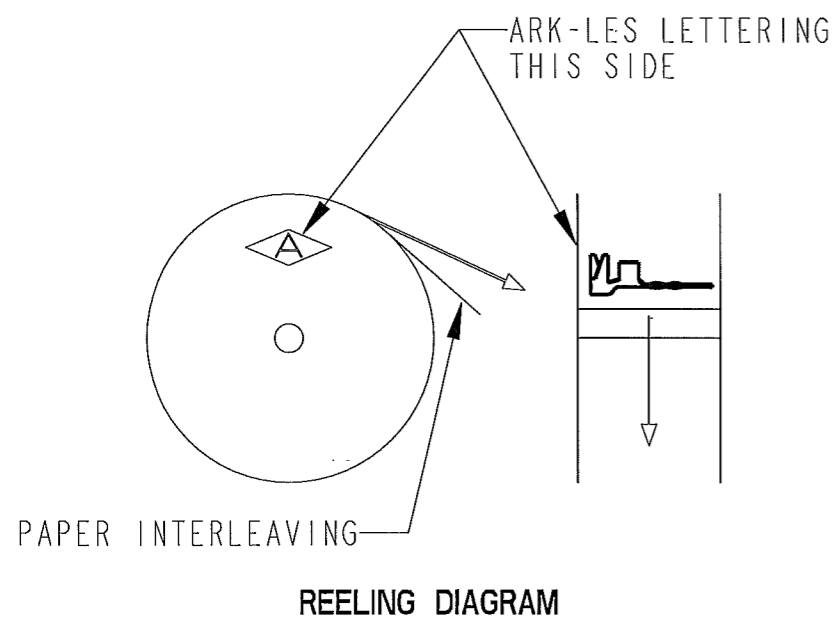
**ARK-LES
UNCONTROLLED**

NOTE:

- FOR PARTS LOOSE PIECE ADD SUFFIX "-1" TO PART NUMBER (I.E. 4000 A4G97-7-1).
- RECOMMENDED WIRE STRIP LENGTH: $7/32 \pm 1/32$.
- WIRE RANGE TO BE DIE STAMPED ON PARTS.



FABRICATED TERMINAL STRIP
SCALE: FULL



PRINT DIST.	PROD. REL. 93783	7/12/73	CHR'D	TOLERANCES UNLESS OTHERWISE SPECIFIED
DEPT #	QUOTE REL. 92654	6/7/73	DD' W/88	DECIMALS $\pm .010$
ENG I	DRAWN BY D.O'NEILL	9/29/08	APP.	METRIC $\pm 0.25mm$
SALES	SUPERSEDES DWG. DATED: 12/15/92	ET-1-1609		ANGLES $\pm 1^\circ$
STO X	SCALE 4:1	DO NOT SCALE PRINT		3RD ANGLE PROJECTION
RAL	MATERIAL: .025 $\pm .001$ C.R. STEEL			DWG SIZE B
JZ	FINISH: TIN PLATE OVER COPPER			
CHINA				

Ark-Les
CORPORATION
STOUGHTON, MA

ORIGINAL IF RED

PART NAME CUSTOMER DRAWING
#8-#10 STUD, WIRE 18-12&14-10

CAD#: 4000_A4G97-99-REVAD_CUST

P/N: 4000 A4G97/899/

REV
AE

REV.	DESCRIPTION	DATE	DR.
AE	REV. PER ECR #S000297	11/6/08	DOH
AD	REV/REDWN ECR S000290	9/29/08	DOH