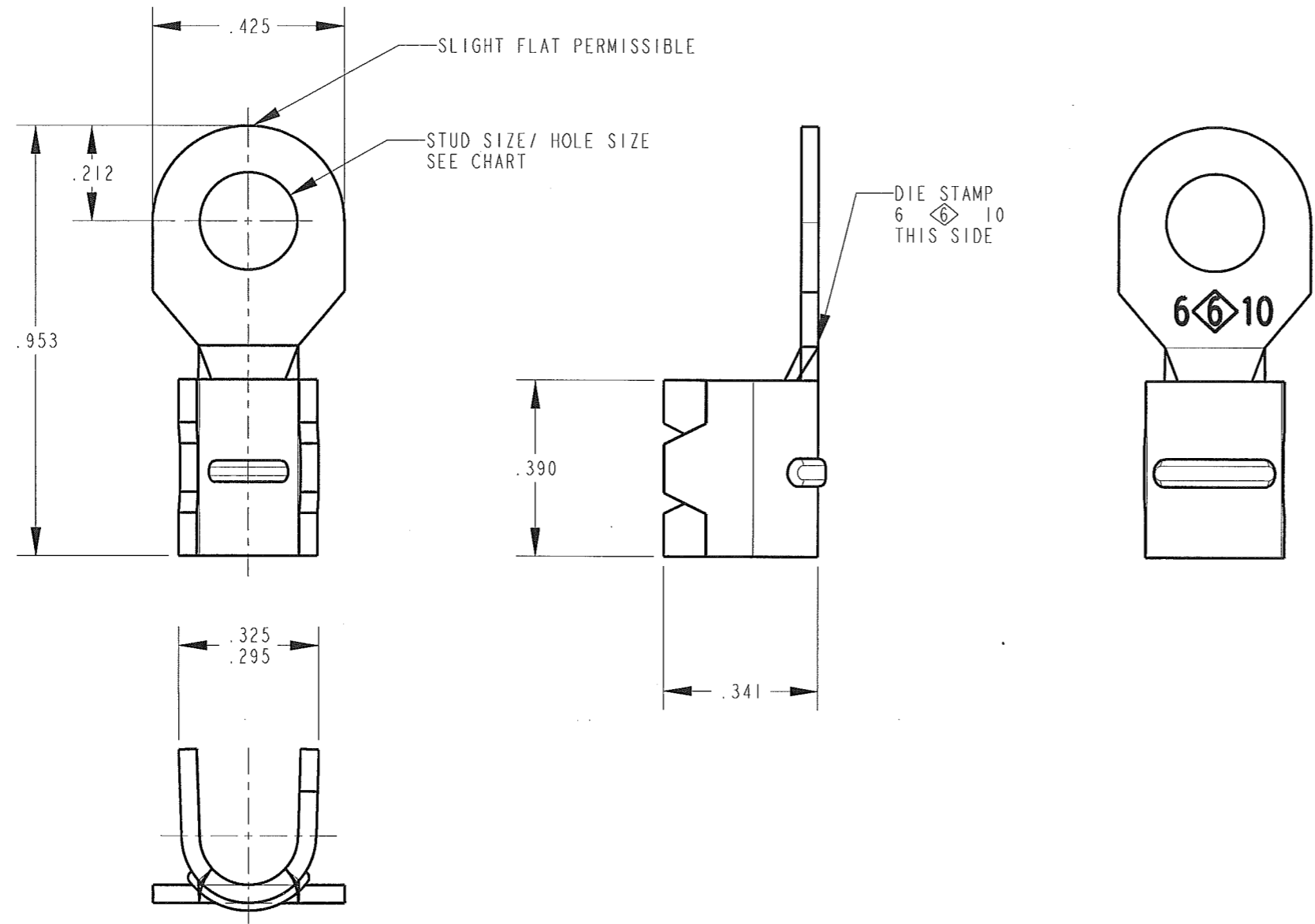


CUSTOMER DRAWING

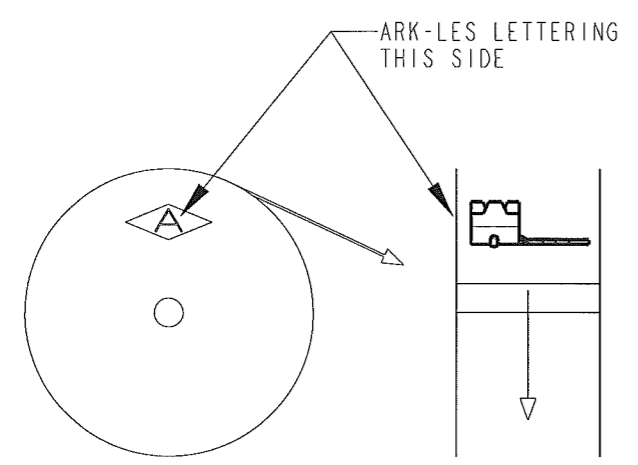
P/N: 4000-43G7/

REV
N



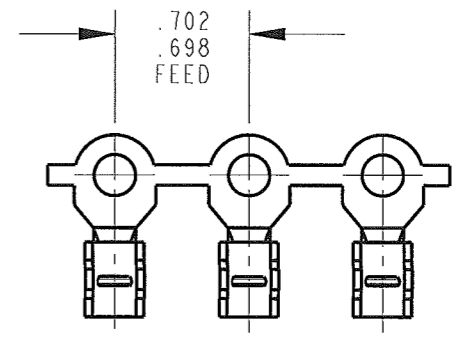
PART NUMBER	MATERIAL	FINISH	STUD SIZE
4000-43G7-7	.040 THK. BRASS CA260	NONE	#8
4000-43G7-8	.040 THK. BRASS CA260 PRETINNED	SEE MAT'L	#8
4000-43G7-9	.040 THK. BRASS CA260	NONE	#10
4000-43G7-10	.040 THK. BRASS CA260 PRETINNED	SEE MAT'L	#10
4000-43G7-11	.040 THK. BRASS CA260	NONE	1/4
4000-43G7-12	.040 THK. BRASS CA260 PRETINNED	SEE MAT'L	1/4
4000-43G7-13	.040 THK. CU, C110	NONE	∅.218/.214
4000-43G7-14	.040 THK. CU, C110 PRETINNED	SEE MAT'L	∅.218/.214

ARK-LES
UNCONTROLLED



REELING DIAGRAM

- NOTES:
 1. TO ACCEPT #10-#6 AWG GAUGE WIRE.
 2. RECOMMENDED STRIP LENGTH: 7/16 ± 3/64.



FABRICATED TERMINAL STRIP
SCALE = 1:1

PRINT DIST.	PROD. REL.	C.A.	2-13-62	CHK'D	TOLERANCES UNLESS OTHERWISE SPECIFIED	ARK-LES CORPORATION STOUGHTON, MA
DEPT #	QUOTE REL.	C.A.	2-13-62	Do'l 12/10/07	DECIMALS ± .010	
ENG I	DRAWN BY	O'NEILL	12/12/2006	APP.	METRIC ± 0.25mm	ORIGINAL IF RED
SALES	SUPERSEDES DWG. DATED:	4/4/85	ET 2.5.07	SCALE 3:1	ANGLES ± 1°	PART CUSTOMER DRAWING
STO X	MATERIAL: SEE TABLE				3RD ANGLE PROJECTION	NAME TERMINAL, .425 RING
RAL	FINISH: SEE TABLE				DWG SIZE: B	CAD#: 4000-43G-7-REVN
JZ	REV.	DESCRIPTION	DATE	DR.		P/N: 4000-43G7/
CHINA	N	REV/REDWN PER ECR S000231	12/12/06	DON		REV N