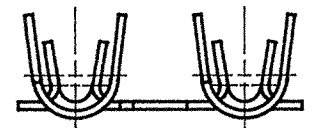
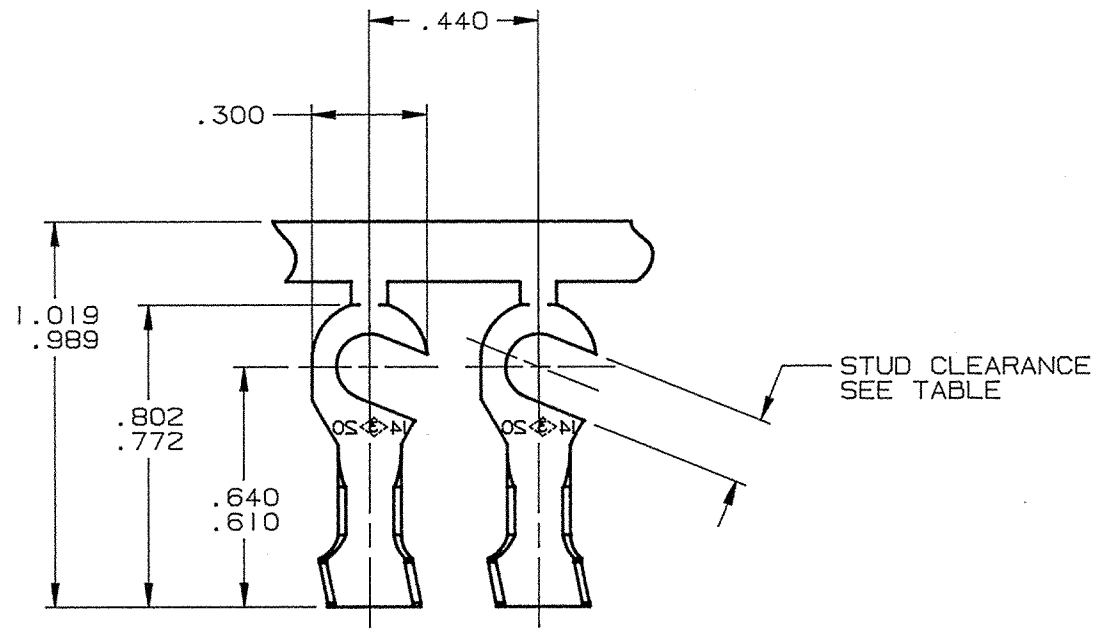


| | |
|------|---|
| DEPT | |
| 1 | I |
| 2 | |
| 3 | |
| 4 | |
| 5 | |
| 6 | |
| 7 | |
| 8 | |
| 9 | |
| 10 | |
| 11 | |
| 12 | B |
| NC | |
| JZ | |

PART NAME: HOOK TERMINAL

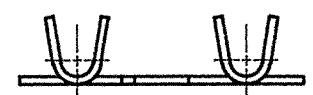
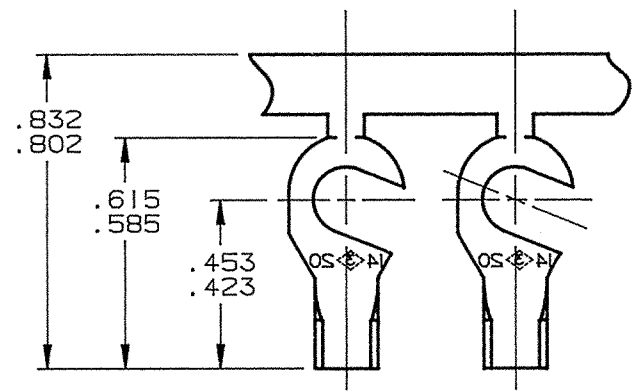
PART NO: 4000-A3H/

TYPE I



TYPE II

SAME AS TYPE I EXCEPT AS SHOWN



| PART NO. | TYPE | STUD SIZE | MATERIAL | FINISH |
|----------|------|-----------|----------------|-----------|
| A3H1-5 | 2 | 6 | .020 THK BRASS | NONE |
| A3H2-5 | 2 | | | PRETINNED |
| A3H1-6 | 1 | | | NONE |
| A3H2-6 | 1 | | | PRETINNED |
| A3H1-7 | 2 | 8 | .020 THK BRASS | NONE |
| A3H2-7 | 2 | | | PRETINNED |
| A3H1-8 | 1 | | | NONE |
| A3H2-8 | 1 | | | PRETINNED |

- (P) NOTES:
- TO ACCOMMODATE #14 - #20 GAUGE WIRE.
 - INSULATION DIAMETER RANGE: .075 - .175.
 - RECOMMENDED STRIP LENGTH: 5/32 ± 1/32.
 - FOR PARTS WITH PAPER INTERLEAVING, ADD SUFFIX "K" TO PART NUMBER (i.e. A3H1-6K).

ARK-LES UNCONTROLLED

| | | | | | |
|------|----------------------------------|--------|--------------------------|-------------------------------|--|
| | | | PROD. REL. 79293 | | TOLERANCES UNLESS OTHERWISE SPECIFIED: |
| | | | QUOTE REL. | | DECIMALS ±.010 METRIC ±0.25mm ANGLES ±1° |
| | | | DR: B J CARUTHERS 7/8/96 | | MATERIAL: SEE TABLE |
| | | | CHK'D: R.W.T. 7-10-96 | | FINISH: SEE TABLE |
| | | | APP: COR 7-15-96 | | PART NO: 4000-A3H/ |
| P | REVISED & REDRAWN PER ECR #10969 | 7/8/96 | BJC | SUPERCEDES DWG. DATED: 1/6/76 | |
| REV. | DESCRIPTION | DATE | DR. | SCALE: 2=1 CAD NO: BYL0002 | |

ORIGINAL