

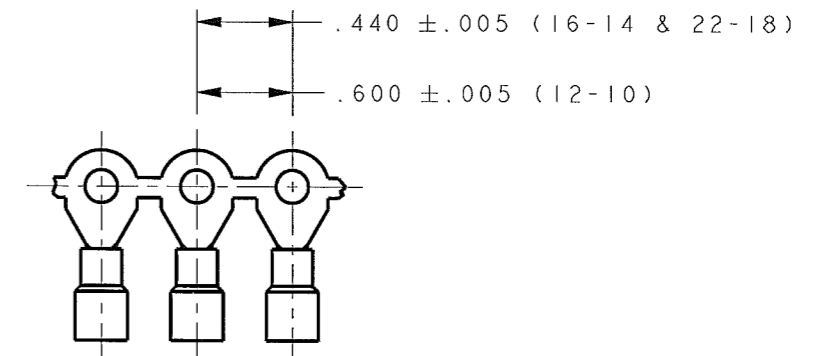
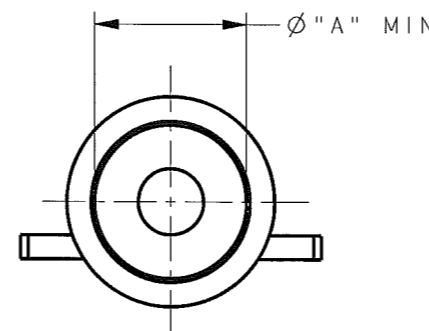
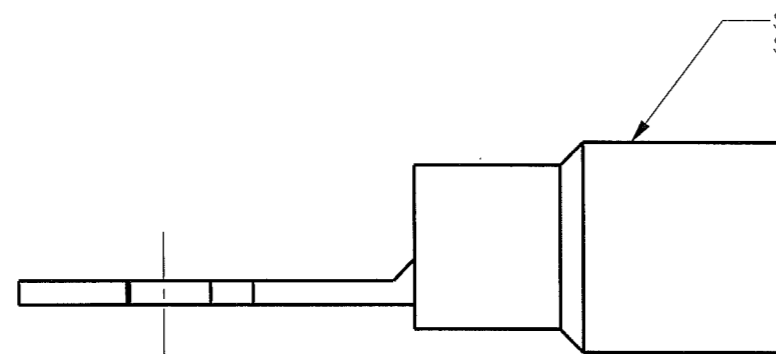
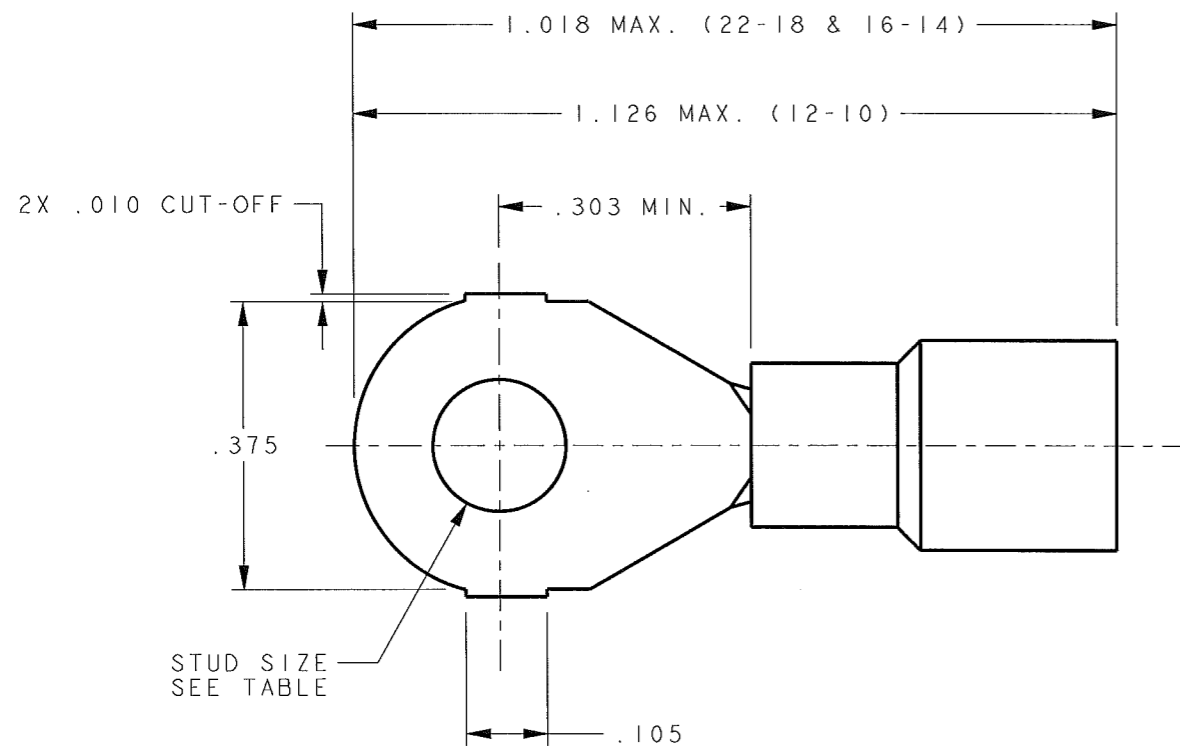
CUSTOMER DRAWING

P/N: 7505318-7506028 REV C

PART NO.	"A" MIN. Ø	SLEEVE COLOR	WIRE SIZE	STUD SIZE
7505318	.143	RED	22-18	#6
7505358	.201	BLUE	16-14	
7505398	.257	YELLOW	12-10	
7505438	.143	RED	22-18	#8
7505478	.201	BLUE	16-14	
7505518	.257	YELLOW	12-10	
7505708	.143	RED	22-18	#10
7505748	.201	BLUE	16-14	
7505788	.257	YELLOW	12-10	
7505828	.143	RED	22-18	#1/4
7505868	.201	BLUE	16-14	
7505908	.257	YELLOW	12-10	
7505948	.143	RED	22-18	#12
7505988	.201	BLUE	16-14	
7506028	.257	YELLOW	12-10	

NOTES:

- MATERIAL:
 TERMINAL: .031±.001 THICK COPPER
 PRE-ELECTRO-TIN PLATE: (22-18 & 16-14AWG)
 .040±.001 THICK COPPER
 PRE-ELECTRO-TIN PLATE: (12-10AWG)
 SLEEVE: 6/6 NYLON, COLOR: SEE TABLE
- RECOMMENDED STRIP LENGTH: 9/32 ± 1/32 (22-18 & 16-14)
 5/16 ± 3/64 (12-10)
- FOR LOOSE PIECE PARTS, ADD SUFFIX 1 TO PART NUMBER (e.g. 75053181)
- FOR STANDARD REELING SEE FIGURE 1.



FABRICATED TERMINAL STRIP SCALE 1X

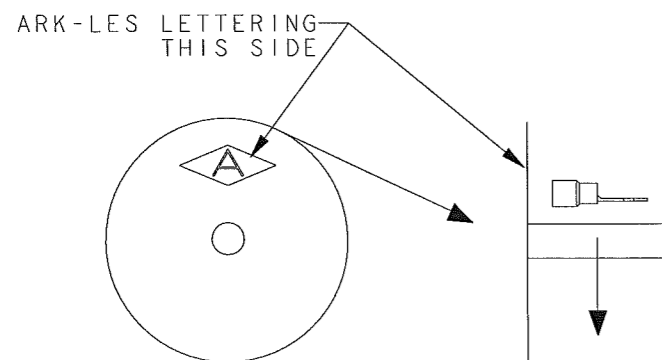


FIGURE 1 REELING DIAGRAM

ARK-LES UNCONTROLLED

PRINT DIST.	PROD. REL. ECRI2541	8/11/03	CHK'D	TOLERANCES UNLESS OTHERWISE SPECIFIED	 STOUGHTON, MA
DEPT #	QUOTE REL.		06/30/07	DECIMALS ±.010	
ENG I	DRAWN BY	BJC 5/13/03	APP.	METRIC ±0.25mm	ORIGINAL IF RED CUSTOMER DRAWING .375 PRE-INSULATED RING TERMINAL
SALES	SUPERSEDES DWG. DATED:		ET 10-30-07	ANGLES ±1°	
C REV. PER ECR #S000265	9/27/07	DON		3RD ANGLE PROJECTION	PART NAME .375 RING-CUSTOMER CAD#: .375RING-CUSTOMER P/N: 7505318-7506028
B REV. PER ECR# S000126	8/25/05	DON		DWG SIZE B	
A PROD. REL. PER ECR #12541	5/13/03	BJC			REV C
REV.	DESCRIPTION	DATE	DR.	FINISH: SEE NOTE 1	