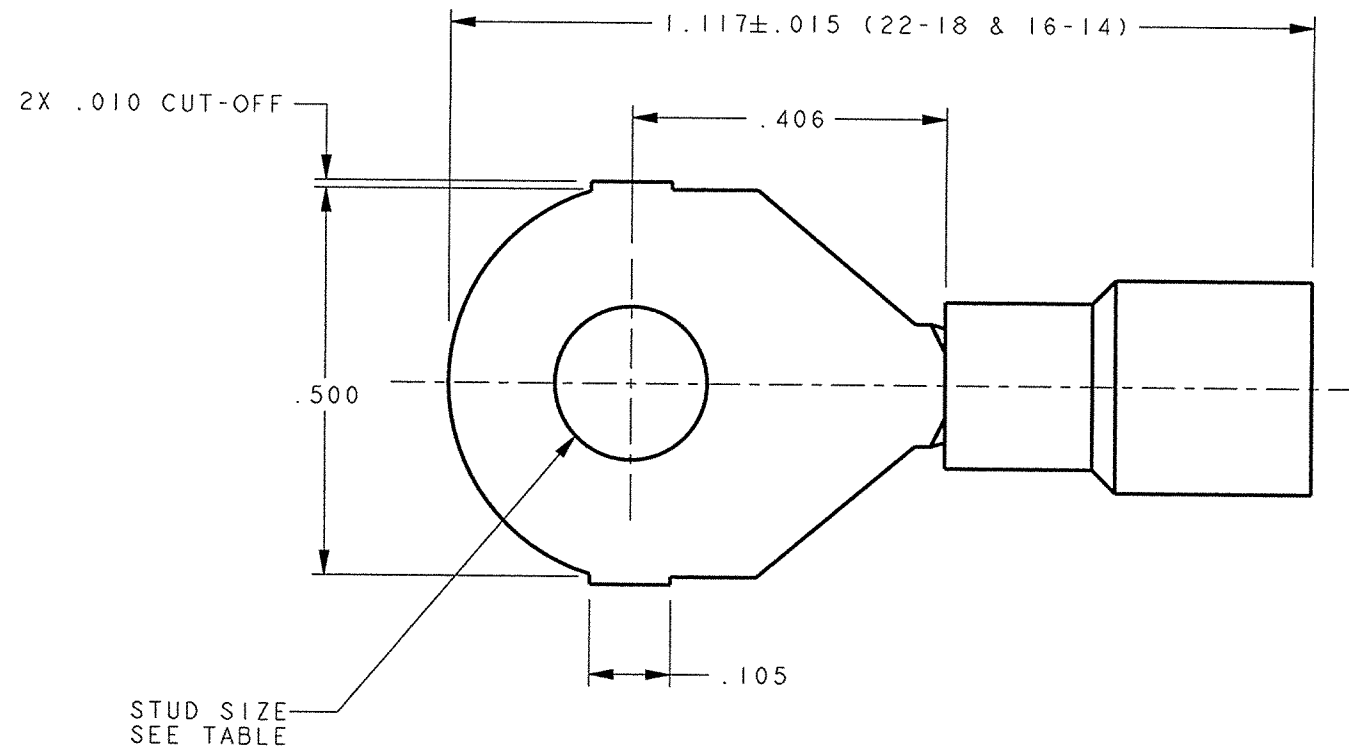


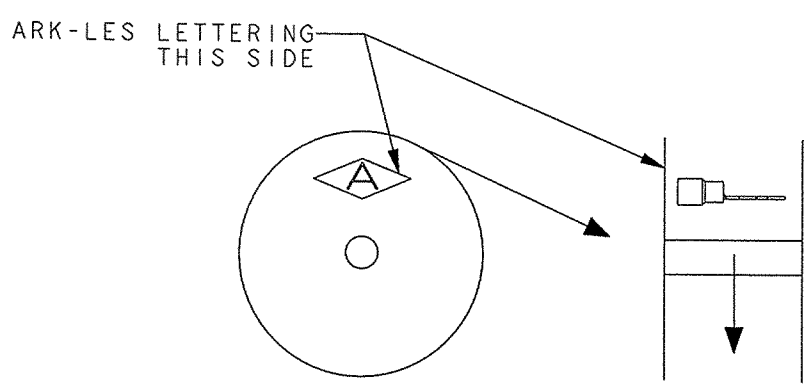
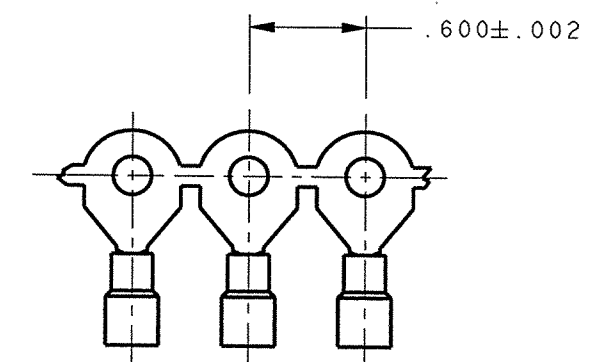
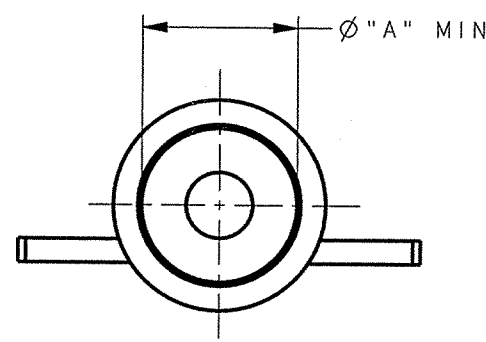
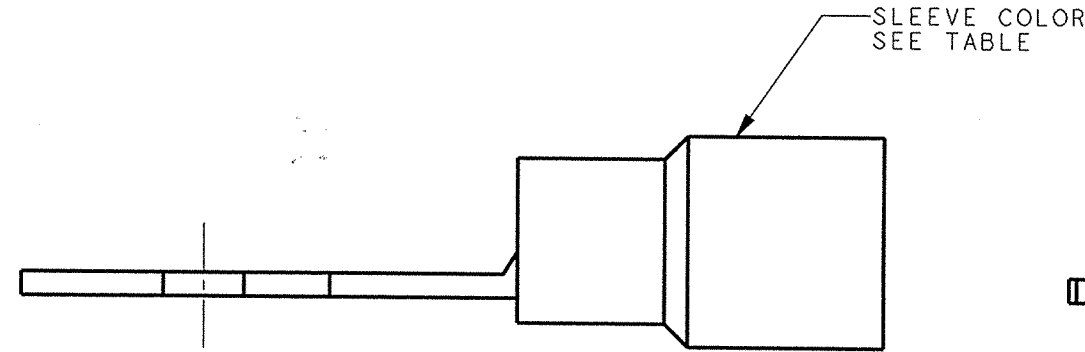
CUSTOMER DRAWING

P/N: 7507268-7507638 REV
B



- NOTES:
 1. MATERIAL:
 TERMINAL: .031 THICK COPPER
 PRE-ELECTRO-TIN PLATE: (22-18 & 16-14AWG)
 .040 THICK COPPER
 PRE-ELECTRO-TIN PLATE: (12-10AWG)
 SLEEVE: 6/6 NYLON
 2. RECOMMENDED STRIP LENGTH: 9/32 ± 1/32 (22-18 & 16-14)
 5/16 ± 3/64 (12-10)
 3. FOR LOOSE PIECE PARTS, ADD SUFFIX 1
 TO PART NUMBER (e.g. 75072681)
 4. FOR STANDARD REELING SEE FIGURE 1.

PART NO.	Ø "A" MIN.	SLEEVE COLOR	WIRE SIZE	STUD SIZE
7507268	.142	RED	22-18	#10
7507308	.197	BLUE	16-14	
7507348	.257	YELLOW	12-10	
7507388	.142	RED	22-18	#1/4
7507428	.197	BLUE	16-14	
7507468	.257	YELLOW	12-10	
7507508	.142	RED	22-18	#5/16
7507548	.197	BLUE	16-14	
7507588	.257	YELLOW	12-10	
7507638	.142	RED	22-18	#3/8



**FIGURE 1
REELING DIAGRAM**

**ARK-LES
UNCONTROLLED**

**FABRICATED TERMINAL STRIP
SCALE 1X**

				PRINT DIST.	PROD. REL. ECR12541	8-1-03	CHK'D	TOLERANCES UNLESS OTHERWISE SPECIFIED	 STOUGHTON, MA
				DEPT #	QUOTE REL.		00115104	DECIMALS ±.010	
				ENG 1	DRAWN BY BJC	6/10/03	APP.	METRIC ±0.25mm	ORIGINAL IF RED CUSTOMER DRAWING .500 PRE-INSULATED RING TERMINAL
				SALES	SUPERSEDES DWG. DATED:		11-16-04	ANGLES ±1°	
B	REVISED PER ECR# S000089	11/5/04	DON	STO 7	SCALE 4X	DO NOT SCALE PRINT		3RD ANGLE PROJECTION	PART NAME
A	PROD. REL. PER ECR #12541	6/21/03	BJC	RAL	MATERIAL: SEE NOTE 1				CAD#: 7507268-7507638-REVB-CUST.DRW
REV.	DESCRIPTION	DATE	DR.	JZ	FINISH: SEE NOTE 1				P/N: 7507268-7507638
				CHINA	DWG SIZE: B				REV B