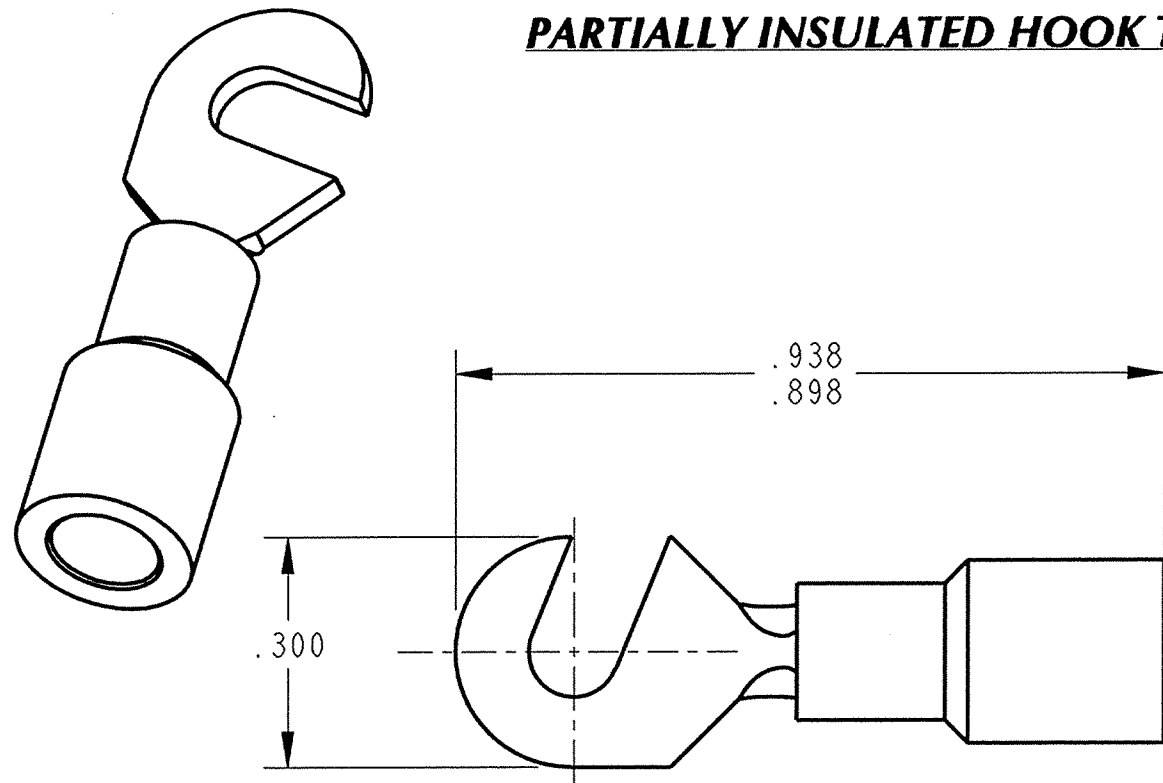


PARTIALLY INSULATED HOOK TERMINAL

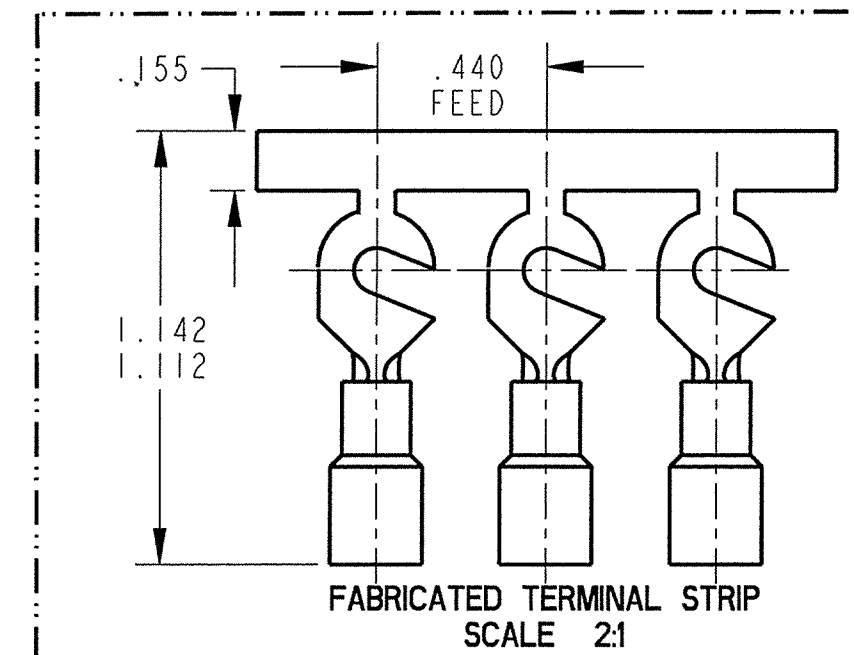
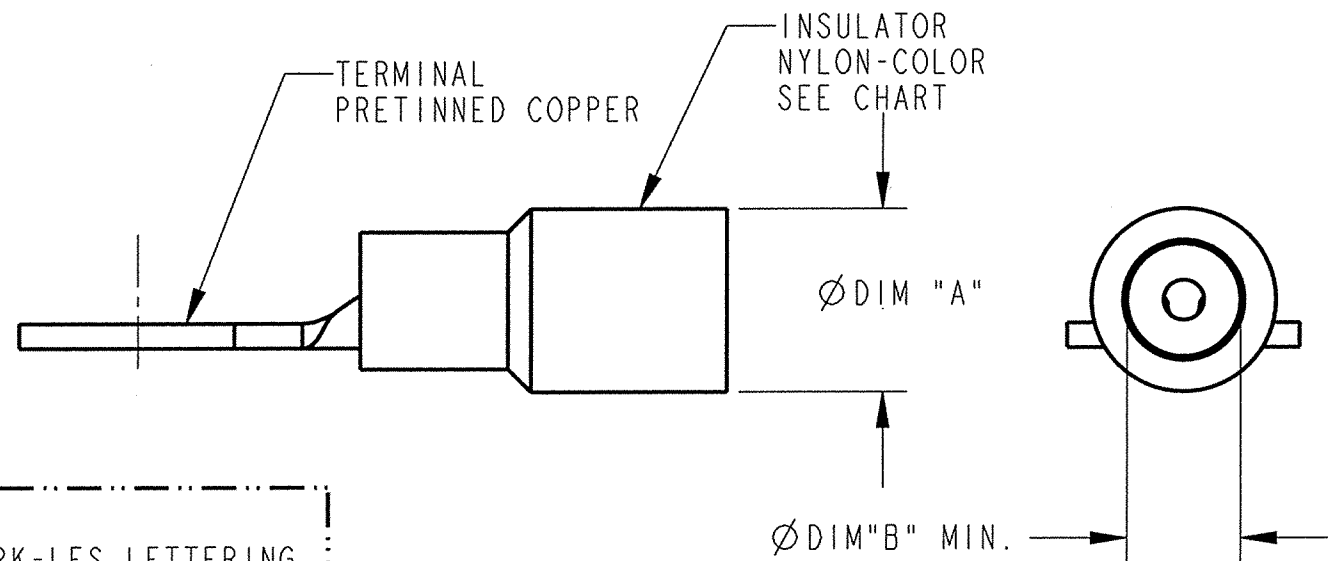


CUSTOMER DRAWING

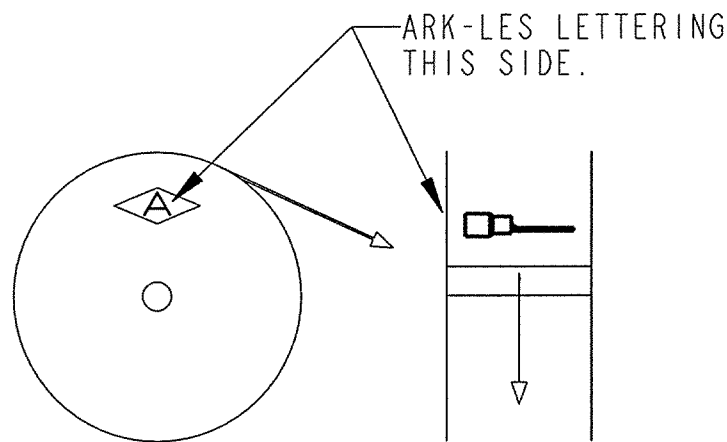
P/N: 7508003008-7508203008
REV A

ASSEMBLY P/N	INSULATOR COLOR	WIRE SIZE	STUD SIZE	DIM "A"	DIM "B"
7508003008	RED	AWG #22-#18	#4	Ø .237	Ø .142
7508083008			#6		
7508163008			#8		
7508043008	BLUE	AWG #16-#14	#4	Ø .274	Ø .197
7508123008			#6		
7508203008			#8		

- NOTE:
 1. RECOMMENDED STIP LENGTH: 7/32 ± 1/32
 2. FOR INDIVIDUAL PIECES ADD SUFFIX "I" TO PART NUMBER.
 EXAMPLE: 7508003008I.



ARK-LES UNCONTROLLED



REELING DIAGRAM NTS

PRINT DIST.	PROD. REL. ECR#S000017	10/14/03	CHK'D	TOLERANCES UNLESS OTHERWISE SPECIFIED	 CORPORATION STOUGHTON, MA ORIGINAL IF RED
DEPT #	QUOTE REL.		QD 10/10/03	DECIMALS ± .010	
ENG	DRAWN BY	Q.D. 10/31/03	APP.	METRIC ± 0.25mm	ASSEMBLY/OUTLINE .300 HOOK TERMINAL - STUD SIZE #4, #6, #8 AWG #22-#18, AWG #16-#14 PART NAME
SALES	SUPERSEDES DWG. DATED:		RJB 10-6-03	ANGLES ± 1°	
STO	SCALE 4:1	DO NOT SCALE PRINT		 3RD ANGLE PROJECTION	CAD#: 7508003008-7508203008-CUST-REVA.drw
RAL	MATERIAL:				P/N: 7508003008-7508203008
JZ	FINISH:			REV A	
CHINA					
REV.	DESCRIPTION	DATE	DR.		