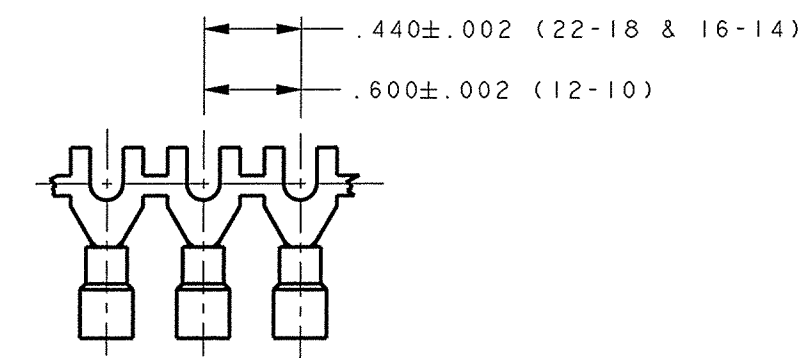
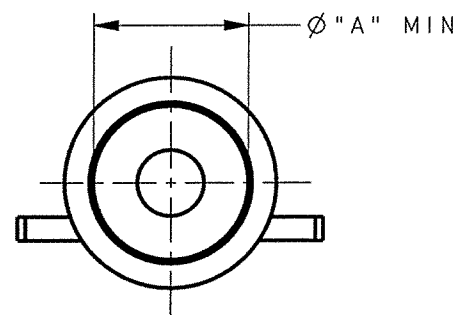
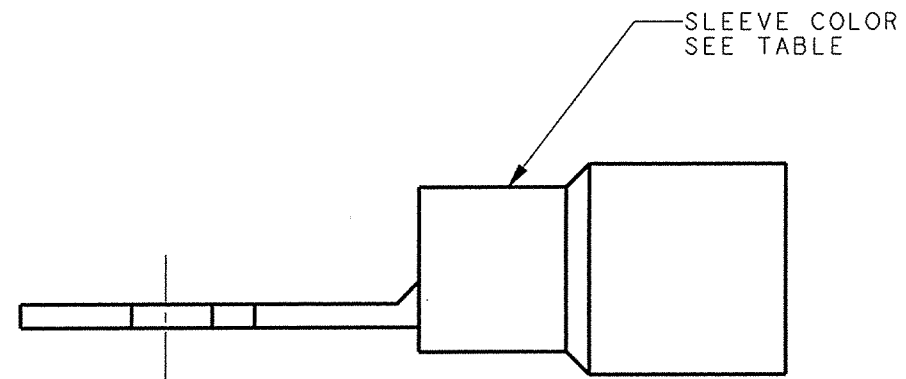


- NOTES:
- MATERIAL:
 TERMINAL: .031 THICK COPPER
 PRE-ELECTRO-TIN PLATE:(22-18 & 16-14AWG)
 .040 THICK COPPER
 PRE-ELECTRO-TIN PLATE:(12-10AWG)
 SLEEVE: 6/6 NYLON
 - RECOMMENDED WIRE STRIP LENGTH: 9/32 ±1/32 (22-18 & 16-14)
 5/16 ±3/64 (12-10)
 - FOR LOOSE PIECE PARTS, ADD SUFFIX "1" TO PART NUMBER (i.e. 75038781).
 - FOR STANDARD REELING SEE FIGURE 1.
 - FOR 30" REEL, ADD SUFFIX "9" TO PART NUMBER (i.e. 75038789).

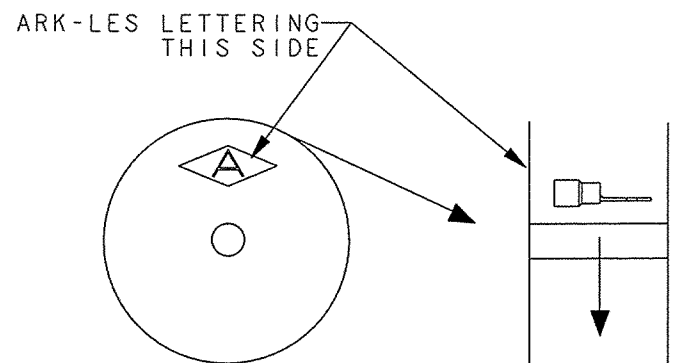
PART NO.	Ø "A" MIN.	SLEEVE COLOR	WIRE SIZE	STUD SIZE
7503878	.143	RED	22-18	#6
7503918	.201	BLUE	16-14	
7503958	.257	YELLOW	12-10	#8
7503998	.143	RED	22-18	
7504038	.201	BLUE	16-14	#10
7504078	.257	YELLOW	12-10	
7504118	.143	RED	22-18	#10
7504158	.201	BLUE	16-14	
7504198	.257	YELLOW	12-10	

STUD SIZE
SEE TABLE



FABRICATED TERMINAL STRIP
SCALE 1X

**ARK-LES
UNCONTROLLED**



**FIGURE 1
REELING DIAGRAM**

				PRINT DIST.	PROD. REL. ECR12541	8-1-03	CHK'D	TOLERANCES UNLESS OTHERWISE SPECIFIED	STOUGHTON, MA
				DEPT #	QUOTE REL.		DD 12/1/04	DECIMALS ±.010	
				ENG 1	DRAWN BY BJC	5/13/03	APP.	METRIC ±0.25mm	ORIGINAL IF RED CUSTOMER DRAWING .375 SPADE PRE-INSULATED SPADE TERMINAL
				SALES	SUPERSEDES DWG. DATED:		KJP 12-13-04	ANGLES ±1°	
B	REVISED PER ECR# S000102	12/3/04	DON	STO 8	SCALE 4X	DO NOT SCALE PRINT			PART NAME .375 SPADE-CUSTOMER CAD#: .375 SPADE-CUSTOMER P/N: 7503878-7504198
A	PROD. REL. PER ECR #12541	5/13/03	BJC	RAL	MATERIAL: SEE NOTE 1				
REV.	DESCRIPTION	DATE	DR.	JZ	FINISH: SEE NOTE 1				REV B
				CHINA	3RD ANGLE PROJECTION DWG SIZE B				