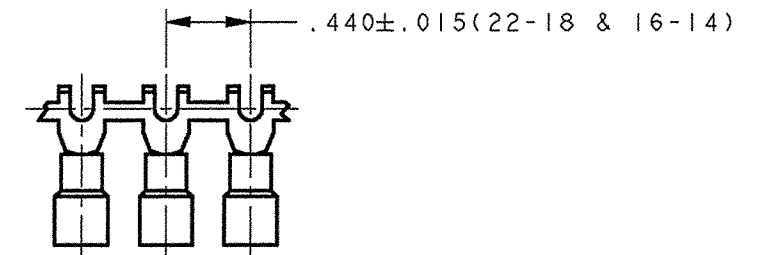
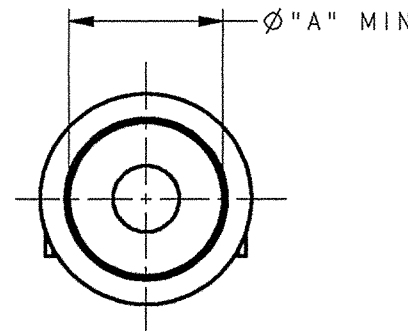
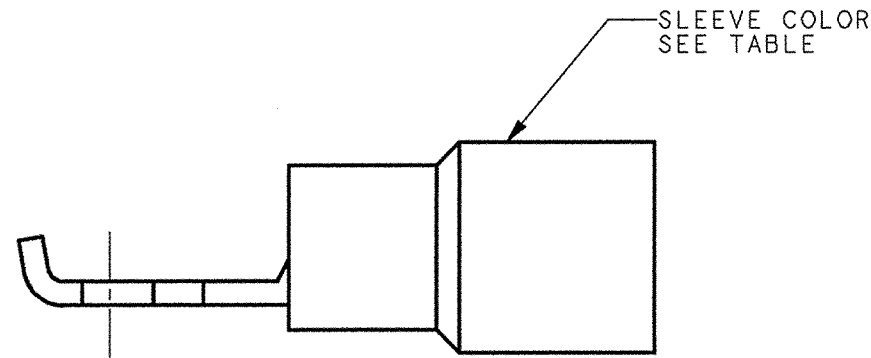
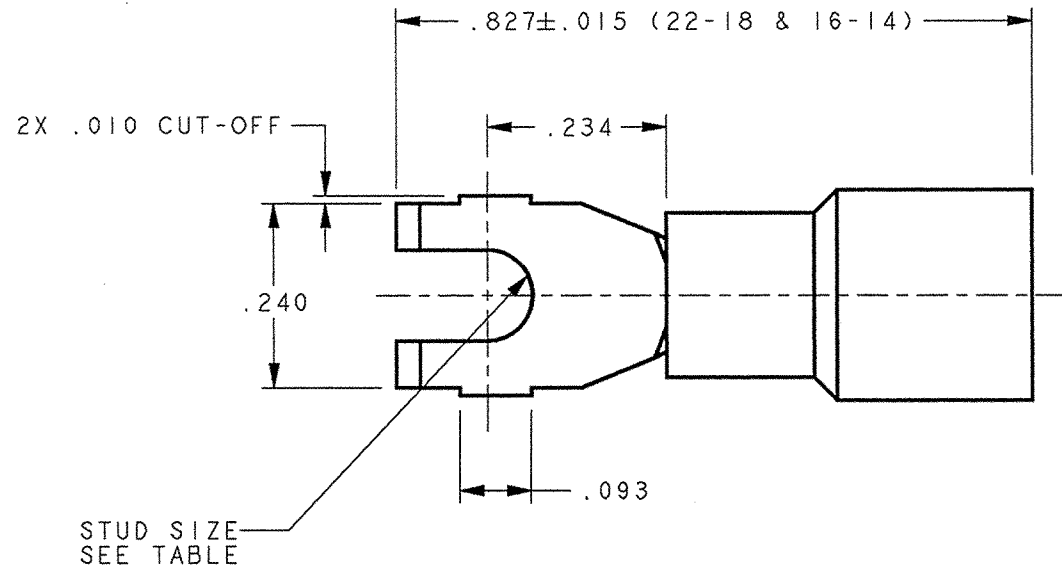


CUSTOMER DRAWING

P/N: 7500408-7500688 REV A

PART NO.	"A" Ø MIN.	SLEEVE COLOR	WIRE SIZE	STUD SIZE
7500408	.142	RED	22-18	#0
7500448	.197	BLUE	16-14	
7500488	.142	RED	22-18	#2
7500528	.197	BLUE	16-14	
7500568	.142	RED	22-18	#4
7500608	.197	BLUE	16-14	
7500648	.142	RED	22-18	#6
7500688	.197	BLUE	16-14	

- NOTES:
 1. MATERIAL:
 TERMINAL: .031 THICK COPPER
 PRE-ELECTRO-TIN PLATE: (22-18 & 16-14AWG)
 SLEEVE: 6/6 NYLON
 2. RECOMMENDED STRIP LENGTH: $9/32 \pm 1/32$ (22-18 & 16-14)
 3. FOR LOOSE PIECE PARTS, ADD SUFFIX 1 TO PART NUMBER (e.g. 75004081)
 4. FOR STANDARD REELING SEE FIGURE 1.



FABRICATED TERMINAL STRIP SCALE 1X

ARK-LES
UNCONTROLLED

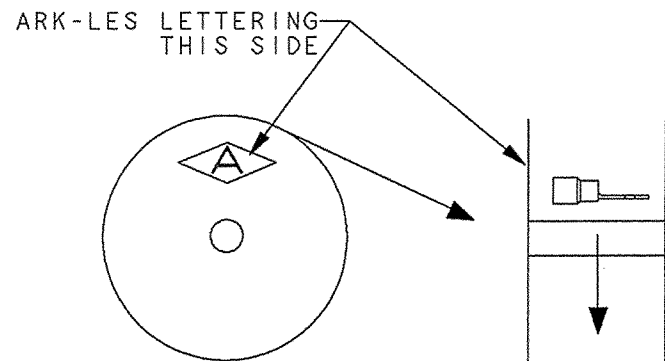


FIGURE 1 REELING DIAGRAM

				PRINT DIST.	PROD. REL. ECR12541	8-1-03	CHK'D	TOLERANCES UNLESS OTHERWISE SPECIFIED	STOUGHTON, MA ORIGINAL IF RED	
				DEPT #	QUOTE REL.		RWT 6-18-03			DECIMALS ±.010
				ENG 1	DRAWN BY BJC 6/10/03		APP.	METRIC ±0.25mm	PART .240 PRE-INSULATED NAME FLANGED SPADE TERMINAL	
				SALES	SUPERSEDES DWG. DATED:		1/36 6-30-03	ANGLES ±1°	CAD#: .240FL-SPADE-ASSY	
				STO 8	SCALE 4X	DO NOT SCALE PRINT			P/N: 7500408-7500688	
				RAL	MATERIAL: SEE NOTE 1					REV A
				JZ	FINISH: SEE NOTE 1					
				CHINA						
REV.	DESCRIPTION	DATE	DR.							

