

F3099 RFI Filters



Specifications:

Maximum Voltage: 250VAC Maximum - 50/60 Hz

Rated Current: 250VAC
6A

Current Overload: 6X for 8 seconds

Hi-Pot Test (1 min):

Line to Ground 1500VAC

Line to Line 1450VDC

Insulation Resistance: $9 \times 10^9 \Omega$ at 100VDC

Ambient Temperature: 40°C Max at rated current

Humidity Range: 0% to 95% R.H.

Termination:

A: Quick Connect

B: Wire

Maximum Leakage Current:

Each Line to Ground **F3000 Series**

115VAC, 60Hz: 2 μ A

250VAC, 50Hz: 5 μ A

Agency Approvals:

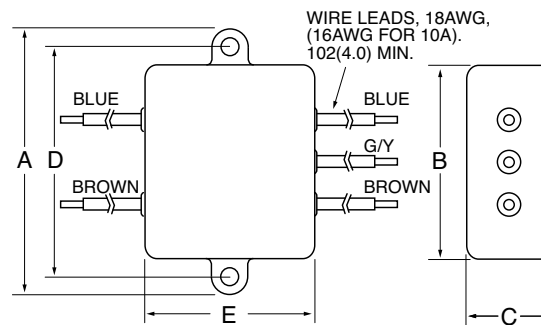
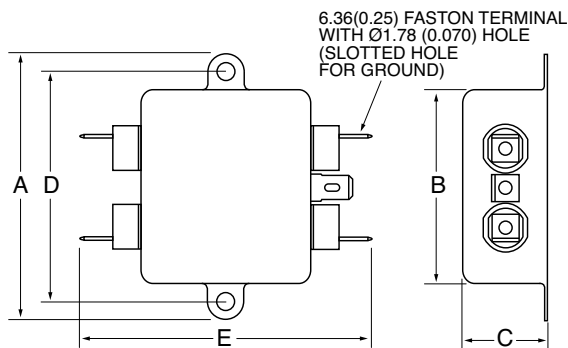


Features:

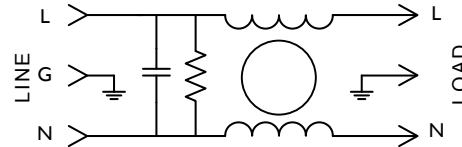
- Designed to Meet UL544 and IEC601 Specifications for Medical and Dental Equipment, both patient care and onpatient categories.
- Leakage current in this series is extremely low to satisfy the stringest leakage current limit imposed by safety regulations for medical and dental equipment.

F3099AA (6Amp) Dimensions

Amps	A	B	C	D	E
6A	2.53 (64,30)	1.82 (46,2)	0.78 (19,8)	2.126 (54,0)	2.53 (64,30)
	2.53 (64,30)	1.82 (46,2)	0.78 (19,8)	2.126 (54,0)	1.32 (33,5)



F3099 Series Simplified Schematic



Nominal Current Rating	Part Number	Termination Line/Load	MINIMUM INSERTION LOSS - dB (50 ohm Circuit)									
			MODE	Frequency - MHz								
				0.05	0.10	.15	.50	1.0	5.0	10	30	
6A	F3099AA06 F3099BB06	QC/QC Ø	Common	3	7	11	20	22	24	22	18	
			Differential	3	6	14	20	30	35	35	35	

NOTE: Other combinations of terminals may be specified on special order.

General Purpose Filtered Modules

MEDICAL FILTERS

