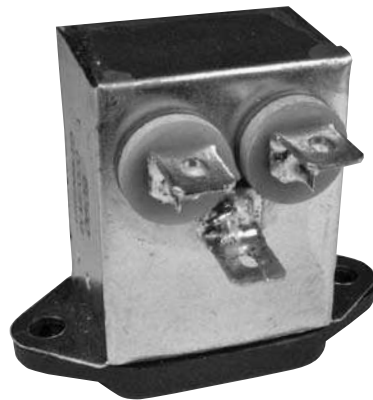


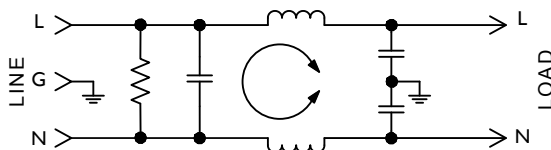
F2400/2500 RFI Filters



Features:

- Higher Performance Filters Designed for Common Mode and Differential Mode Applications
- 4X Greater Differential Mode Insertion Loss at 1 MHz than F2100/F2200 Series with No Increase in Physical Size
- Especially Suited for Use with Linear Power Supplies and FCC "A" Applications

F2400/2500 Simplified Schematic



Specifications:

Rated Voltage: 250VAC Maximum - 50/60 Hz

Rated Current:	115VAC	250VAC
	3A	1.5A
	6A	3A
	10A	10A
	15A	10A

Current Overload: 6X for 8 seconds

Hi-Pot Test (1 min):

Line to Ground	1500VAC
Line to Line	1768VDC

Insulation Resistance: $9 \times 10^9 \Omega$ at 100VDC

Ambient Temperature: 40°C Max. at rated current

Humidity Range: 0% to 95% R.H.

Termination:

A: QC – Quick Connect
C: IEC Receptacle

Maximum Leakage Current:

Each Line to Ground	F2400/F2500
115VAC, 60Hz:	0.25mA
250VAC, 50Hz:	0.40mA

Agency Approvals:

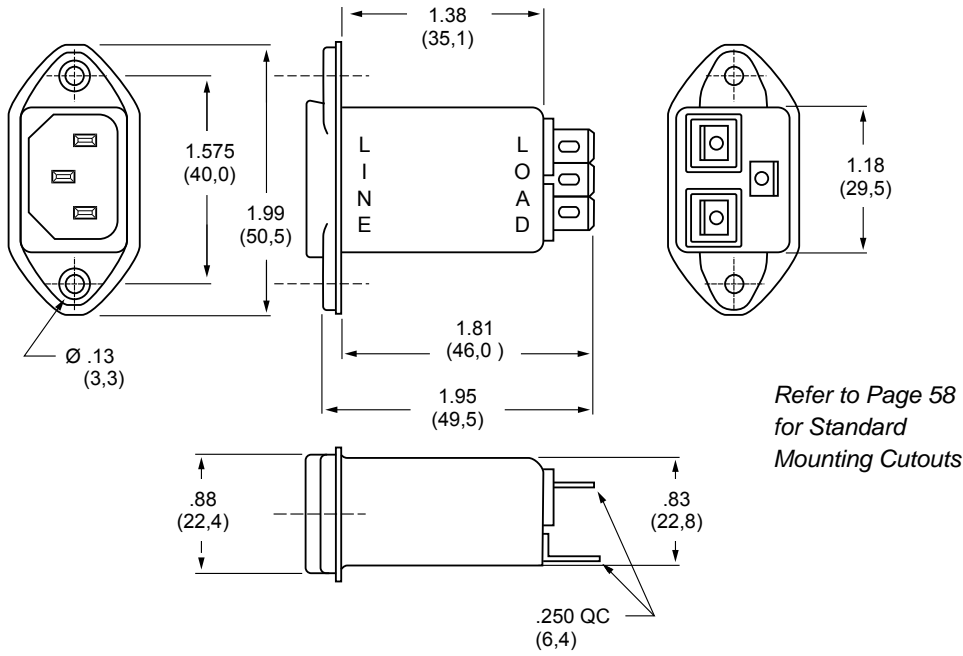


Nominal Current Rating	Part Number	Termination Line/Load	MINIMUM INSERTION LOSS - dB (50 ohm Circuit)						
			MODE	Frequency - MHz					
				.15	.50	1.0	5.0	10	30
3A	F2400CA03 F2500CA03	IEC/QC IEC/QC	Common	22	35	40	46	50	50
			Differential	8	18	24	40	50	40
6A	F2400CA06 F2500CA06	IEC/QC IEC/QC	Common	15	24	31	42	45	50
			Differential	8	18	24	40	50	40
10/15A	F2400CA10 F2400CA15	IEC/QC IEC/QC	Common	4	10	13	28	35	40
			Differential	2	8	15	30	35	35

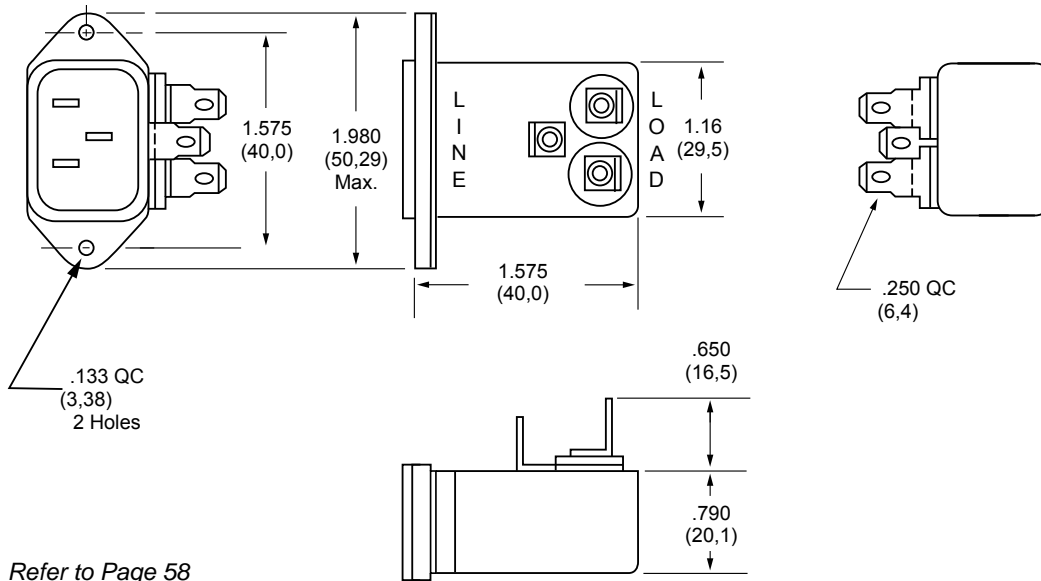
NOTE: Other combinations of terminals may be specified on special order.



F2400CA (3, 6, 10 and 15Amp) Dimensions



F2500CA (3 and 6Amp) Dimensions

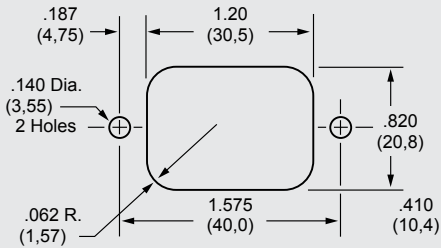


Refer to Page 58 for Standard Mounting Cutouts

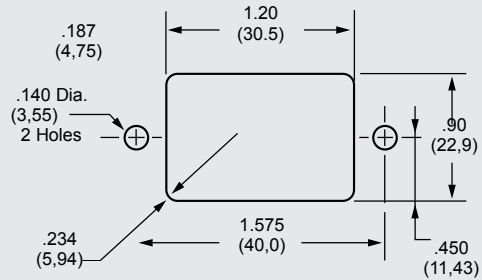


Standard Mounting Cutouts

F2199CA, F2200CA, F2300CA, F2400CA, F2500CA, F2700CA, F3100CA, F3200CA, F3400CA, F3500CA

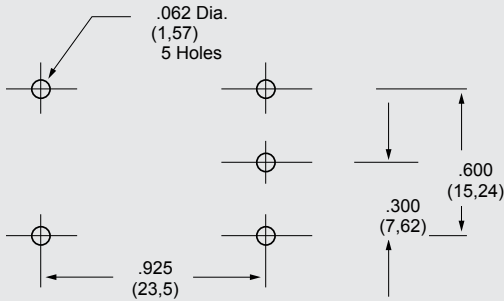


Back Mounting

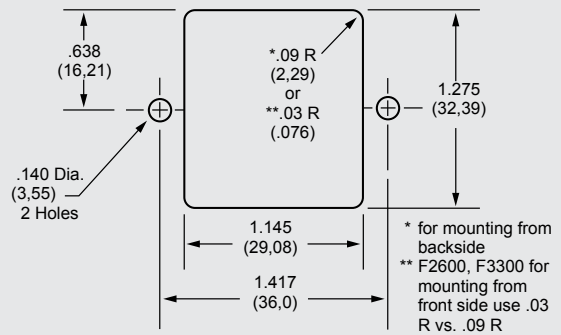


Front Mounting

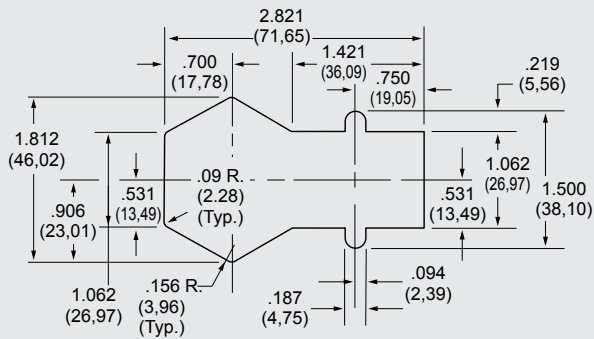
F2600FP, F3300FP



F2600, F3300



F2700FB



PE1 Screw Mount Series

