

# PE7/PE8 Series

Combination



## Specifications:

**Rated Voltage:** 250VAC Maximum - 50/60 Hz

**Rated Current:**      115VAC    250VAC  
                                  3A            3A  
                                  6A            6A

**Current Overload:** 6X for 8 Seconds

**Hi-Pot Test (1 min):**

Line to Ground    1500VAC  
 Line to Line        1768VDC

**Insulation Resistance:**  $9 \times 10^9 \Omega$  at 100VDC

**Ambient Temperature:** 40°C Max. at Rated Current

**Humidity Range:** 0% to 95% R.H.

**Termination:**

- IEC Receptacle
- Wire Wrap/Solder

**Maximum Leakage Current:**

Each Line to Ground	<b>PE7, PE 8</b>
115VAC, 60Hz:	0.25mA
250VAC, 50Hz:	0.40mA

**Voltage Select Card:** Installed in 120VAC position unless otherwise specified

**Agency Approvals:**

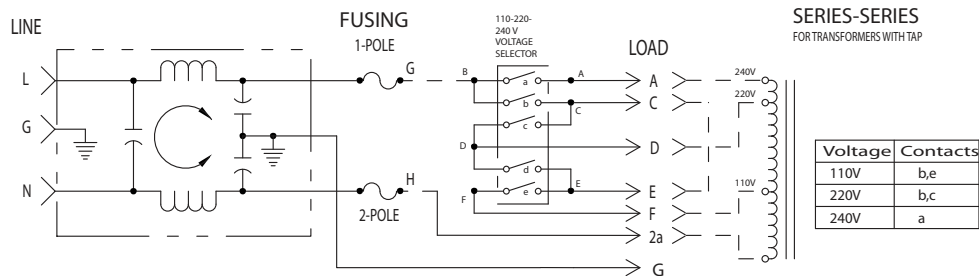


Refer to Page 55 for Ordering Instructions

## Features:

- RFI Filter Module Combines IEC Connector, Fusing, and Voltage Select Features in One Unit
- PE7 Series Filters Provide 20% More Differential Mode Attenuation Than Comparable Units
- Accepts Either U.S. or European Standard Fuse Sizes

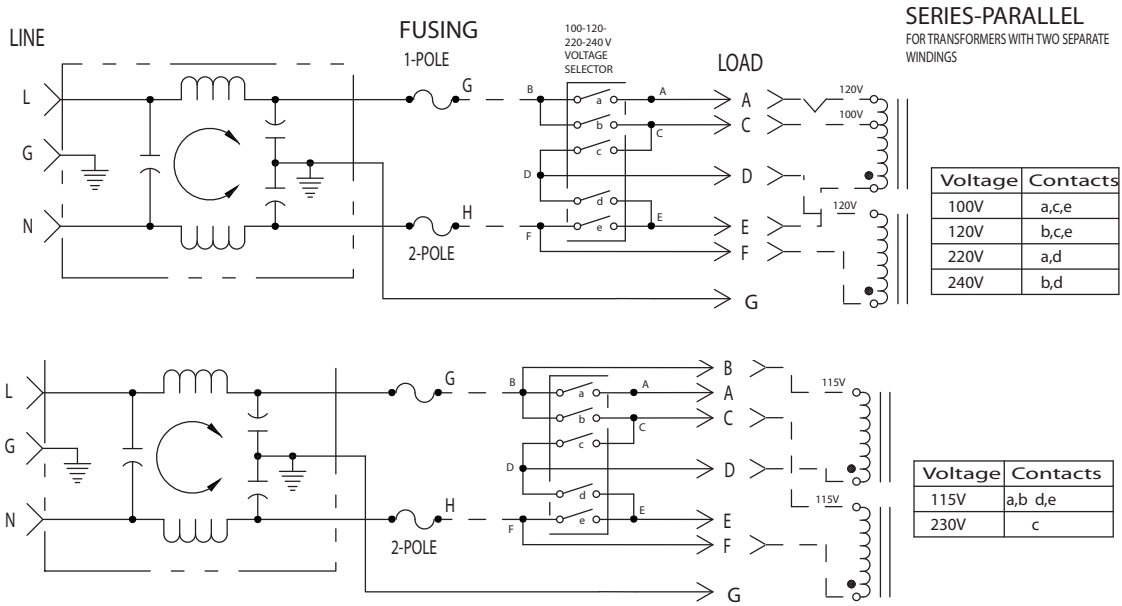
## PE7 Series Simplified Schematic



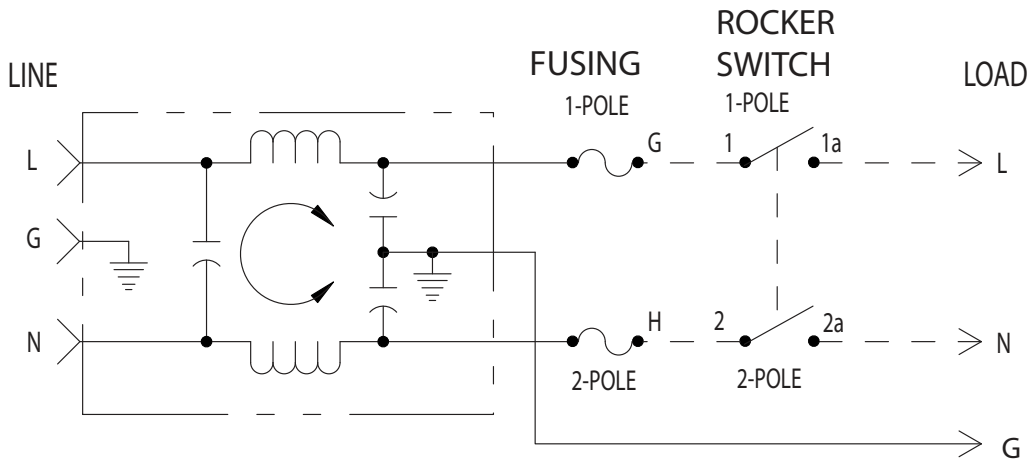
Nominal Current Rating	Part Number	Termination Line/Load	MINIMUM INSERTION LOSS - dB (50 ohm Circuit)						
			MODE	Frequency - MHz					
				.15	.50	1.0	5.0	10	30
3A	PE7XXX03	IEC/Solder Tabs	Common	18	24	30	45	45	50
	Differential		8	18	24	46	50	40	
6A	PE7XXX06	IEC/Solder Tabs	Common	10	19	24	39	44	50
	Differential		8	18	24	39	40	40	



### PE7 Series Simplified Schematic



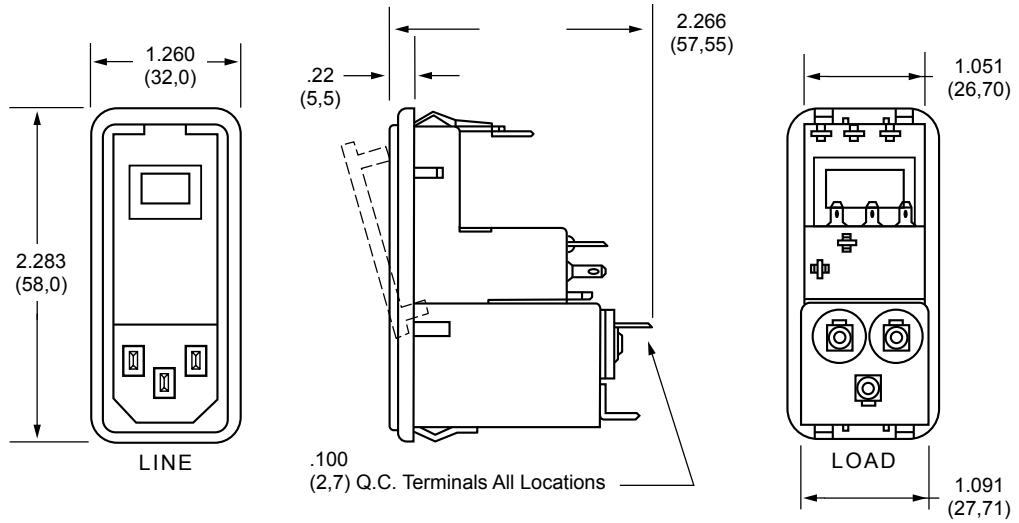
### PE8 Series Simplified Schematic



# PE7/PE8 Series *(continued)*

## PE7/PE8 Snap-Mount Series (3 and 6Amp) Dimensions

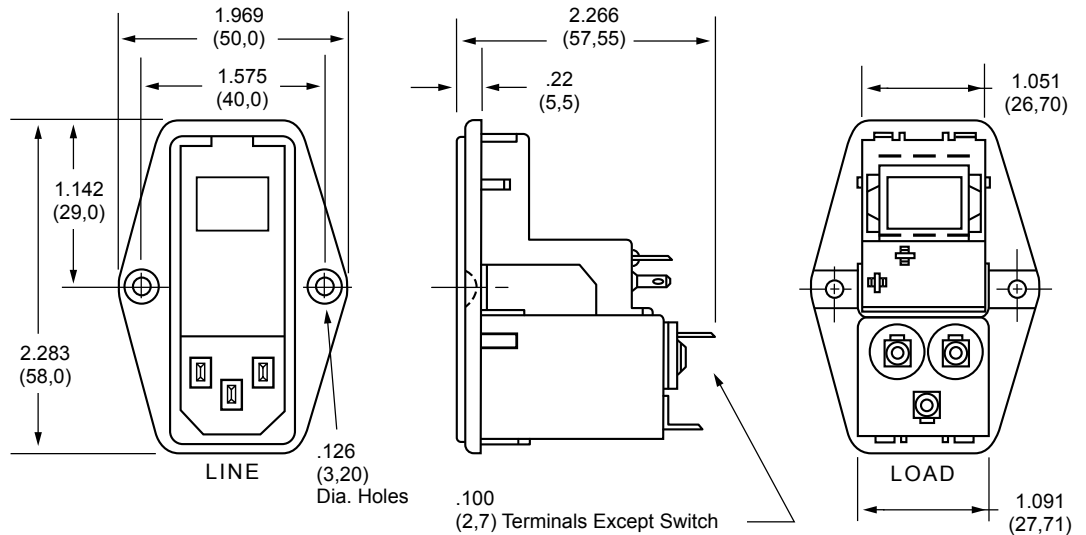
Refer to Page 55  
for Standard  
Mounting Cutouts



Combination

## PE7/PE8 Screw-Mount Series (3 and 6Amp) Dimensions

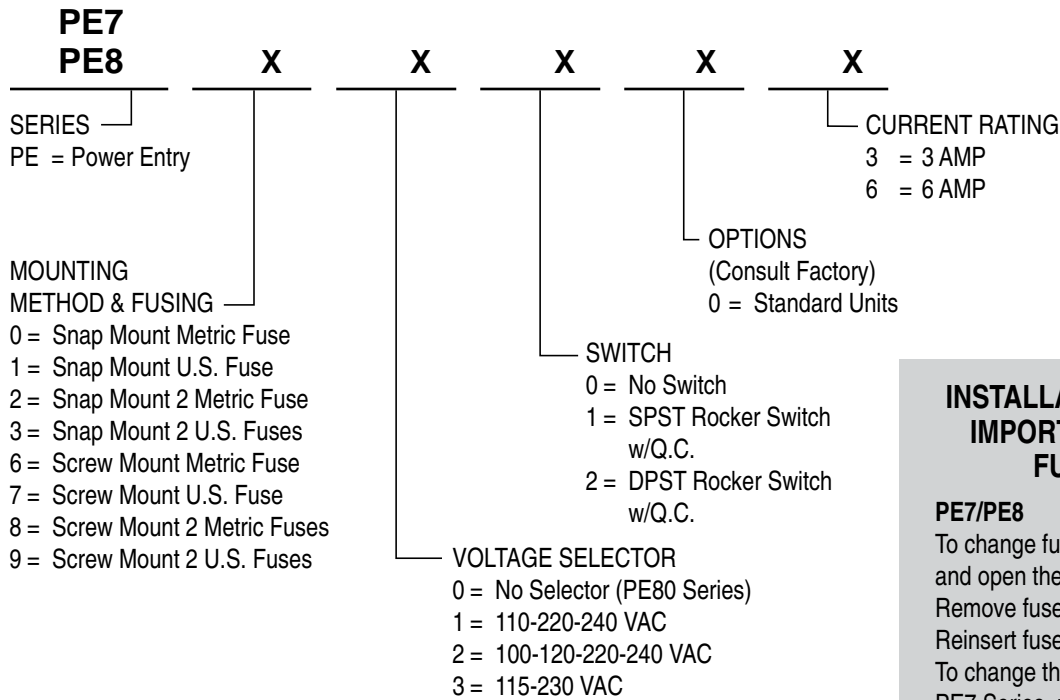
Refer to Page 55  
for Standard  
Mounting Cutouts



POWER ENTRY MODULES



## How to Order



### INSTALLATION INSTRUCTION IMPORTANT – CHANGING FUSE/VOLTAGE

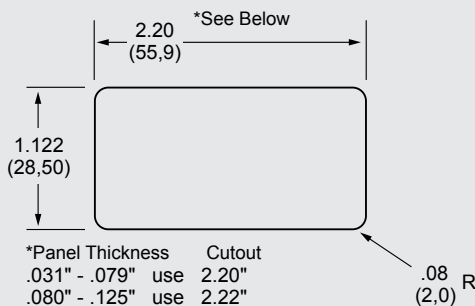
#### PE7/PE8

To change fuse, remove power cord and open the front cover on the module. Remove fuse holder and replace fuse. Reinsert fuse holder and close cover. To change the operating voltage on the PE7 Series, remove the power cord and open front cover. Rotate voltage select wheel until desired voltage appears in window of cover.

- Filter shipped without fuse.

**Always use caution when selecting and changing fuses and voltage requirements. Curtis Industries is not responsible for malfunction due to improper installation/selection of fuse and/or voltage select.**

### PE7/PE8 Snap-Mount Series



### PE7/PE8 Screw Mount Series

