



General Specifications

Motor Protection:

Auto Restart/Polarity Protection

Insulation Resistance:

10M Ω or over with a DC500V Megger

Dielectric Withstand Voltage: AC 700V 1s

Allowable Ambient Temperature Range:

-10°C ~ +60°C (Operating)

-40°C ~ +60°C (Storage)

(non-condensing environment)

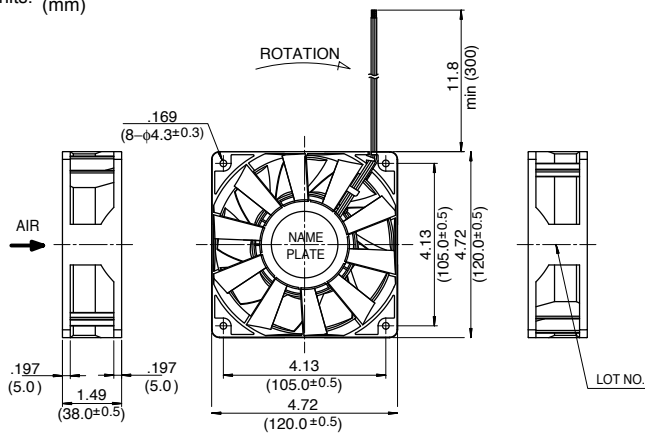
Expected Life

Failure Rate: 10%

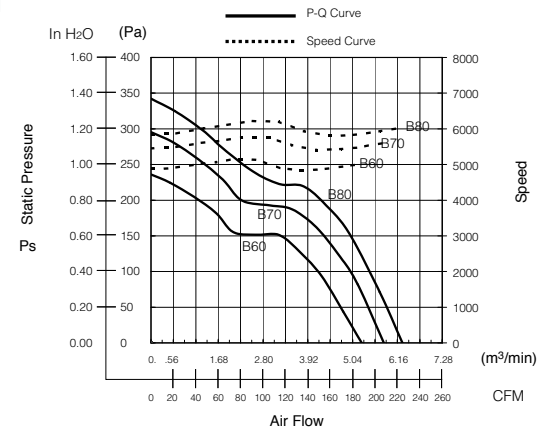
25°C 80,000 Hours (E00)

Outline

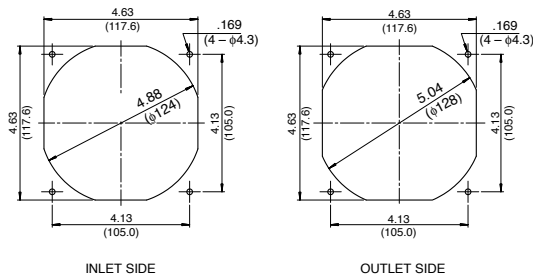
Units: $\frac{\text{inch}}{\text{mm}}$



Characteristic Curves



Panel Cut-outs



Material

Casing : Plastic (Black) 94V-0

Impeller : Plastic (Black) 94V-0

Bearing : Ball Bearing

Lead Wire : UL1007, AWG24, +Red, -Black

Specifications

MODEL	Product No.	Rated Voltage	Operating Voltage	Current	Input Power	Speed	Max. Air Flow		Max. Static Pressure		Noise	Mass
		(V)	(V)	(A) ^{*1}	(W) ^{*1}	(min ⁻¹) ^{*1}	CFM ^{*1}	(m ³ /min) ^{*1}	in H ₂ O	(Pa) ^{*1}	(dB) ^{*1}	(g)
4715RL-05W-B60-	EXX	24	18.0 ~ 27.6	1.00	24.00	5000	188.2	5.30	0.94	235	62.0	370
4715RL-05W-B70-	EXX	24	18.0 ~ 27.6	1.50	36.00	5600	208.0	5.80	1.18	290	65.0	370
4715RL-05W-B80-	EXX	24	18.0 ~ 27.6	1.80	43.20	6000	224.6	6.36	1.37	340	66.5	370
4715RL-07W-B60-	EXX	48	40.0 ~ 55.2	0.55	26.40	5000	188.2	5.30	0.94	235	62.0	370
4715RL-07W-B70-	EXX	48	40.0 ~ 55.2	0.70	33.60	5600	208.0	5.80	1.18	290	65.0	370
4715RL-07W-B80-	EXX	48	40.0 ~ 55.0	0.90	43.20	6000	224.6	6.36	1.37	340	66.5	370

Rotation: Clockwise

Airflow Outlet: Air Out Over Struts

*1: Average Values in Free Air