

## General Specifications

### Motor Protection:

Auto Restart/Polarity Protection

### Insulation Resistance:

10M Ω or over with a DC500V Megger

### Dielectric Withstand Voltage: AC 700V 1s

### Allowable Ambient Temperature Range:

-10°C ~ +70°C (Operating)

-40°C ~ +70°C (Storage)

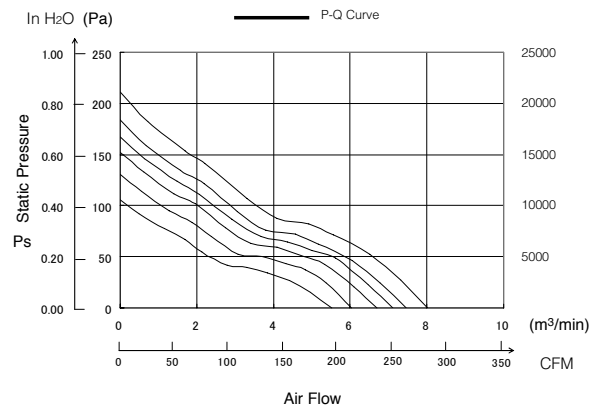
(non-condensing environment)

## Expected Life

### Failure Rate: 10%

25°C 100,000 Hours (D00)

## Characteristic Curves



## Material

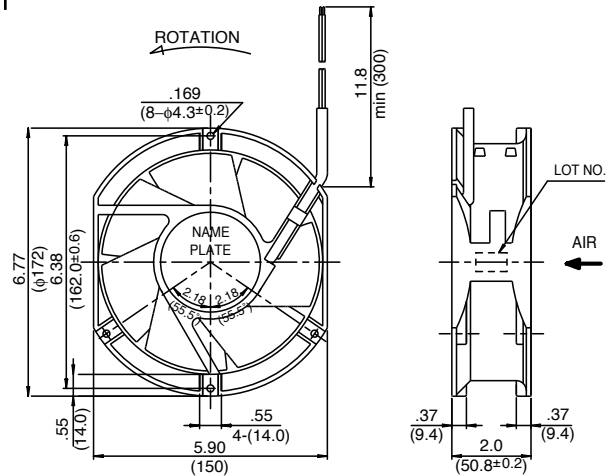
Casing : Plastic (Black) 94V-0

Impeller : Plastic (Black) 94V-0

Bearing : Ball Bearing

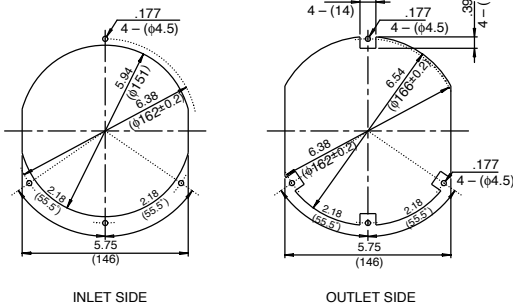
Lead Wire : UL1007, AWG26, +Red, -Black

## Outline



## Panel Cut-Outs

Units:  $\frac{\text{inch}}{\text{mm}}$



## Specifications

| MODEL           | Product No. | Rated Voltage | Operating Voltage | Current           | Input Power       | Speed                              | Max. Air Flow     |                                     | Max. Static Pressure |                    | Noise              | Mass |
|-----------------|-------------|---------------|-------------------|-------------------|-------------------|------------------------------------|-------------------|-------------------------------------|----------------------|--------------------|--------------------|------|
|                 |             | (V)           | (V)               | (A) <sup>*1</sup> | (W) <sup>*1</sup> | (min <sup>-1</sup> ) <sup>*1</sup> | CFM <sup>*1</sup> | (m <sup>3</sup> /min) <sup>*1</sup> | in H <sub>2</sub> O  | (Pa) <sup>*1</sup> | (dB) <sup>*1</sup> | (g)  |
| 5920VL-07W-B10- | DXX         | 48            | 36 ~ 56           | 0.28              | 13.44             | 2550                               | 194.5             | 5.51                                | .43                  | 106                | 51.0               | 830  |
| 5920VL-07W-B20- | DXX         | 48            | 36 ~ 56           | 0.33              | 15.84             | 2850                               | 213.2             | 6.04                                | .53                  | 131                | 54.0               | 830  |
| 5920VL-07W-B30- | DXX         | 48            | 36 ~ 56           | 0.37              | 17.76             | 3150                               | 236.5             | 6.70                                | .61                  | 152                | 57.0               | 830  |
| 5920VL-07W-B40- | DXX         | 48            | 36 ~ 56           | 0.41              | 19.68             | 3350                               | 251.0             | 7.11                                | .67                  | 167                | 59.0               | 830  |
| 5920VL-07W-B50- | DXX         | 48            | 36 ~ 56           | 0.44              | 21.10             | 3500                               | 263.3             | 7.46                                | .74                  | 184                | 61.0               | 830  |
| 5920VL-07W-B60- | DXX         | 48            | 36 ~ 56           | 0.52              | 25.00             | 3750                               | 283.1             | 8.02                                | .85                  | 211                | 63.0               | 830  |

Rotation: Counterclockwise

Airflow Outlet: Air Out Over Struts

\*1: Average Values in Free Air