

FBL12G (120[□] x 38^L)



EMINEBEA.COM

THIS MODEL IS NO LONGER AVAILABLE FOR NEW DESIGNS
See other models available in this frame size here - 4715VL

General Specifications

Allowable Ambient Temperature Range:

- 10°C ~ +70°C (65%RH) (Operating)
- 40°C ~ +75°C (65%RH) (Storage)
- (non-condensing environment)

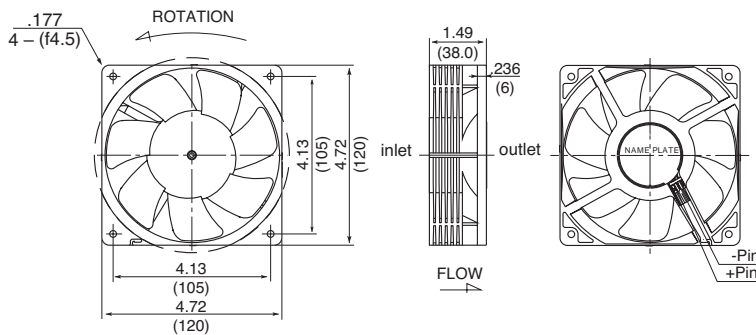
Expected Life

Failure Rate: 10%

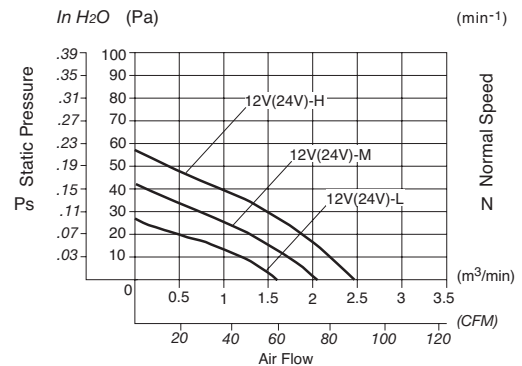
- 30,000 Hours (25°C, 65%RH)
- 10,000 Hours (70°C, 65%RH)

Outline

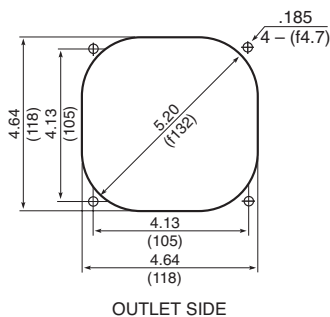
Units: $\frac{\text{inch}}{\text{mm}}$



Characteristic Curves



Panel Cut-outs



Material

Bearing: Hydro Wave Bearing

Specifications

| MODEL | Rated Voltage | Operating Voltage | Current | Input Power | Rated Speed | Max. Air Flow | | Max. Static Pressure | | Noise | Mass |
|------------|---------------|-------------------|-------------------|-------------------|------------------------------------|-------------------|-------------------------------------|----------------------|--------------------|--------------------|------|
| | (V) | (V) | (A) ^{*1} | (W) ^{*1} | (min ⁻¹) ^{*1} | CFM ^{*1} | (m ³ /min) ^{*1} | in H ₂ O | (Pa) ^{*1} | (dB) ^{*1} | (g) |
| FBL12G 12L | 12 | 7.0 ~ 13.8 | 170 | 2.04 | 1700 | 68.9 | 1.94 | .13 | 32.4 | 30.0 | 270 |
| FBL12G 12M | 12 | 7.0 ~ 13.8 | 280 | 3.36 | 2100 | 86.5 | 2.45 | .18 | 47.1 | 35.5 | 270 |
| FBL12G 12H | 12 | 7.0 ~ 13.8 | 370 | 4.44 | 2500 | 103.8 | 2.94 | .26 | 66.7 | 41.5 | 270 |
| FBL12G 24L | 24 | 14.0 ~ 27.6 | 86 | 2.30 | 1700 | 68.9 | 1.95 | .13 | 32.4 | 30.0 | 270 |
| FBL12G 24M | 24 | 14.0 ~ 27.6 | 124 | 2.98 | 2100 | 86.5 | 2.45 | .18 | 47.1 | 35.5 | 270 |
| FBL12G 24H | 24 | 14.0 ~ 27.6 | 200 | 4.80 | 2500 | 103.8 | 2.94 | .26 | 66.7 | 41.5 | 270 |

Rotation: Clockwise

Airflow Outlet: Air Out Over Struts

*1: Average Values in Free Air