



BG0702 (∅75 x 25^L)



EMINEBA.COM

General Specifications

Allowable Ambient Temperature Range:

- 10°C ~ +70°C (Operating)
- 40°C ~ +70°C (Storage)
- (non-condensing environment)

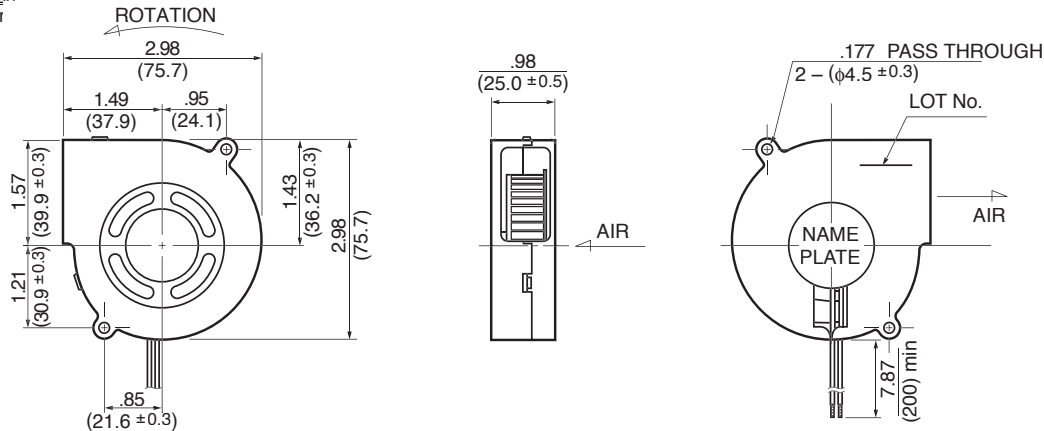
Expected Life

Failure Rate: 10%

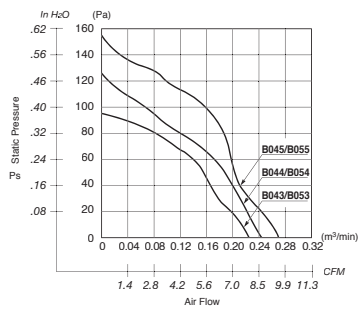
- 25°C 70,000 Hours (00)
- 25°C 60,000 Hours (T0)

Outline

Units: $\frac{\text{inch}}{\text{mm}}$



Characteristic Curves



Material

- Casing : Plastic (Black) 94V-0
- Impeller : Plastic (Black) 94V-0
- Bearing : Ball Bearing
- Lead Wire : UL1007, AWG26, +Red, -Black

Specifications

MODEL	Product No.	Rated Voltage	Operating Voltage	Current	Input Power	Speed	Max. Air Flow		Max. Static Pressure		Noise	Mass
		(V)	(V)	(A) ^{*1}	(W) ^{*1}	(min ⁻¹) ^{*1}	CFM ^{*1}	(m ³ /min) ^{*1}	in H ₂ O	(Pa) ^{*1}	(dB) ^{*1}	(g)
BG0702-B043-000-	X0	12	6 ~ 13.8	0.16	1.92	3000	7.76	0.22	.37	94	39.0	90
BG0702-B044-000-	X0	12	6 ~ 13.8	0.19	2.28	3300	8.47	0.24	.50	124	41.0	90
BG0702-B045-000-	X0	12	6 ~ 13.8	0.25	3.00	3600	9.50	0.27	.61	153	43.0	90
BG0702-B053-000-	X0	24	10 ~ 27.6	0.10	2.40	3000	7.76	0.22	.37	94	39.0	90
BG0702-B054-000-	X0	24	10 ~ 27.6	0.11	2.64	3300	8.47	0.24	.50	124	41.0	90
BG0702-B055-000-	X0	24	10 ~ 27.6	0.14	3.36	3600	9.50	0.27	.61	153	43.0	90

Rotation: Counterclockwise

*1: Average Values in Free Air