



FAL5F (76[□] x 28^L)



NMB-MAT

EMINEBEA.COM

General Specifications

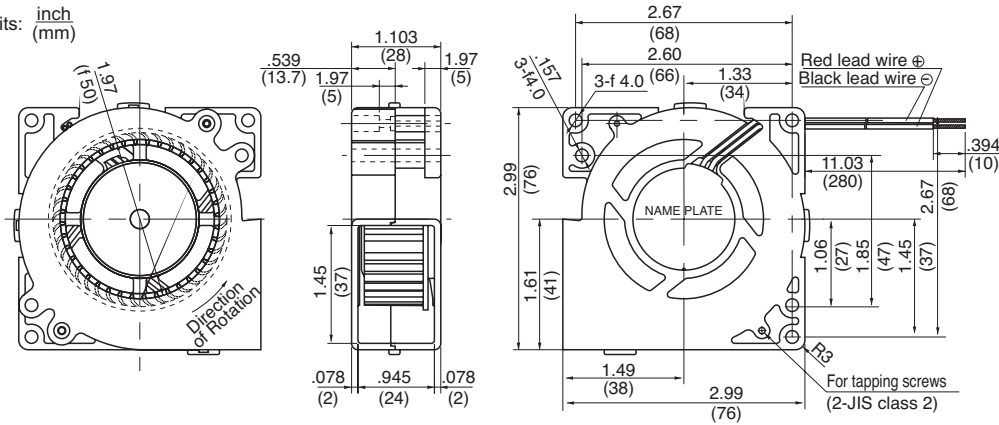
Allowable Ambient Temperature Range:
 -10°C ~ +60°C (65% RH) (Operating)
 -40°C ~ +75°C (65% RH) (Storage)
 (non-condensing environment)

Expected Life

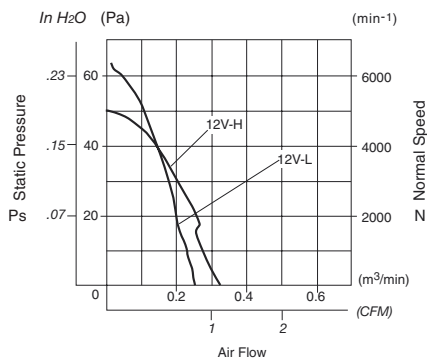
Failure Rate: 10%
 40,000 Hours (25°C, 65%RH)

Outline

Units: $\frac{\text{inch}}{\text{(mm)}}$



Characteristic Curves



Material

Bearing: Hydro Wave Bearing

Specifications

MODEL	Rated Voltage	Operating Voltage	Current	Input Power	Rated Speed	Max. Air Flow		Max. Static Pressure		Noise	Mass
	(V)	(V)	(A) ^{*1}	(W) ^{*1}	(min ⁻¹) ^{*1}	CFM ^{*1}	(m ³ /min) ^{*1}	in H ₂ O	(Pa) ^{*1}	(dB) ^{*1}	(g)
FAL5F 12LL	12	7.0 ~ 13.8	140	1.68	2400	8.83	0.25	.24	60.8	30.0	100
FAL5F 12LH	12	7.0 ~ 13.8	200	2.40	2900	10.6	0.30	.39	98.0	36.0	100
FAL5F 24LL	24	14.0 ~ 27.6	70	1.68	2400	8.83	0.25	.24	60.8	30.0	100
FAL5F 24LH	24	14.0 ~ 27.6	100	2.40	2900	10.6	0.30	.38	95.1	36.0	100

Rotation: Clockwise

Airflow Outlet: Air Out Over Struts

*1: Average Values in Free Air