

General Specifications

Motor Structure: Shaded Pole Induction Motor
Motor Protection: Impedance Protection
Insulation Resistance:
 10M Ω or over with a DC500V Megger
Dielectric Withstand Voltage: AC 700V 1s
Allowable Ambient Temperature Range:
 -10°C ~ +65°C (Operating)
 -40°C ~ +70°C (Storage)
 (non-condensing environment)

Expected Life

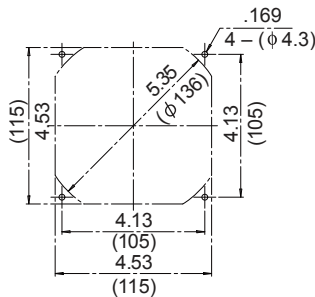
Failure Rate: 10%
 25°C 100,000 Hours

Material

Casing : Aluminum
Impeller : Polybutylene terephthalate
 (Glass Fiber-Containing)
Bearing : Ball Bearings
Lead Wire : Faston #110 or Equivalent

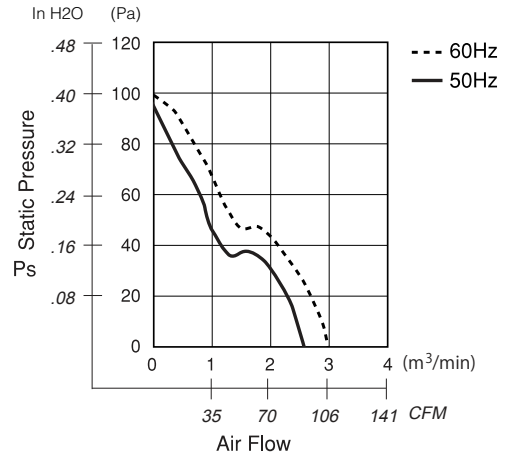
Panel Cut-Outs

Units: inch (mm)

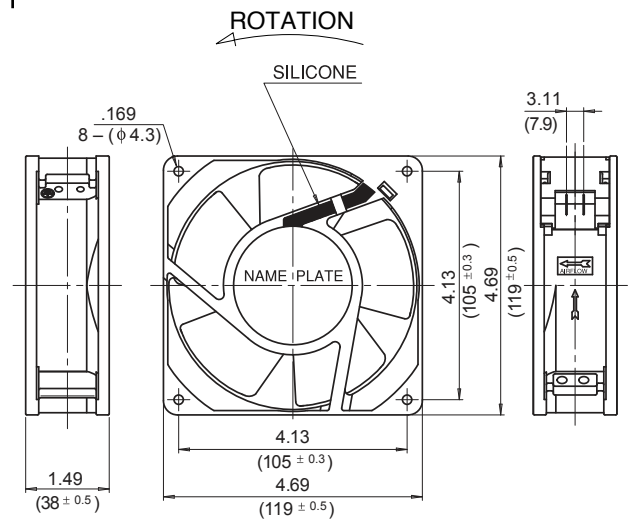


INLET SIDE / OUTLET SIDE

Characteristic Curves



Outline



Specifications

MODEL	Rated Voltage	Frequency	Starting Voltage	Current	Input Power	Speed	Max. Air Flow		Max. Static Pressure		Noise	Mass
	(V)	(Hz)	(V)	(A) ^{*1}	(W)	(min ⁻¹) ^{*3}	CFM	(m ³ /min) ^{*2}	in H ₂ O	(Pa) ^{*2}	(dB) ^{*2}	(g)
** 4715HS-10T-B50-BM0	100	50	65	0.370	18.0	2600	91.8	2.60	0.380	94.0	40	610
** 4715HS-10T-B50-BM0	100	60	65	0.290	15.5	3100	105.9	3.00	0.400	100.0	44	610
4715HS-12T-B50-AM0	115	50	75	0.320	18.0	2600	91.8	2.60	0.380	94.0	40	610
4715HS-12T-B50-AM0	115	60	75	0.250	15.5	3100	105.9	3.00	0.400	100.0	44	610
** 4715HS-20T-B50-BM0	200	50	130	0.180	18.0	2600	91.8	2.60	0.380	94.0	40	610
** 4715HS-20T-B50-BM0	200	60	130	0.150	15.5	3100	105.9	3.00	0.400	100.0	44	610
** 4715HS-22T-B50-BM0	220	50	145	0.160	18.0	2600	91.8	2.60	0.380	94.0	40	610
** 4715HS-22T-B50-BM0	220	60	145	0.130	15.5	3100	105.9	3.00	0.400	100.0	44	610
4715HS-23T-B50-AM0	230	50	175	0.160	18.0	2600	91.8	2.60	0.380	94.0	40	610
4715HS-23T-B50-AM0	230	60	175	0.120	15.5	3100	105.9	3.00	0.400	100.0	44	610
** 4715HS-24T-B50-AM0	240	50	175	0.150	18.0	2600	91.8	2.60	0.380	94.0	40	610
** 4715HS-24T-B50-AM0	240	60	175	0.120	15.5	3100	105.9	3.00	0.400	100.0	44	610

Rotation: Counterclockwise

Airflow Outlet: Air Out Over Struts

*1: Maximum Values in Free Air

** Contact NMB for Availability

*2: Average Values in Free Air

*3: Minimum Values in Free Air