

## General Specifications

**Motor Structure:** Capacitor-Run Induction Motor  
**Motor Protection:** Thermal Protection  
**Insulation Resistance:**  
 100M Ω or over with a DC500V Megger  
**Dielectric Withstand Voltage:** AC 1800V 3s  
**Allowable Ambient Temperature Range:**  
 -10°C ~ +60°C (Operating)  
 -40°C ~ +70°C (Storage)  
 (non-condensing environment)

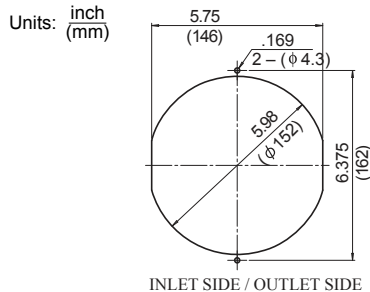
## Expected Life

**Failure Rate: 10%**  
 25°C 50,000 Hours

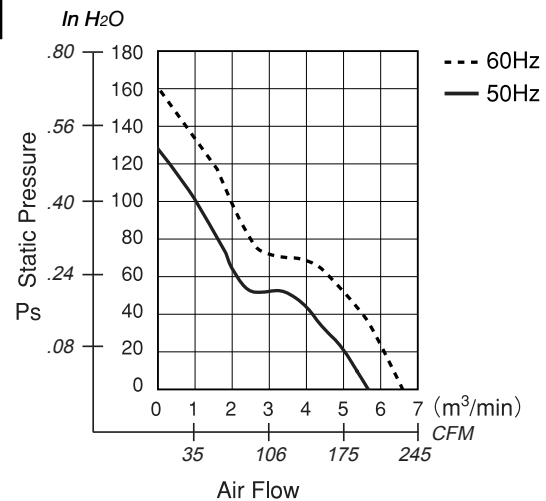
## Material

**Casing :** Aluminum  
**Impeller :** Steel  
**Bearing :** Ball Bearing  
**Terminal :** Faston #110 or equivalent

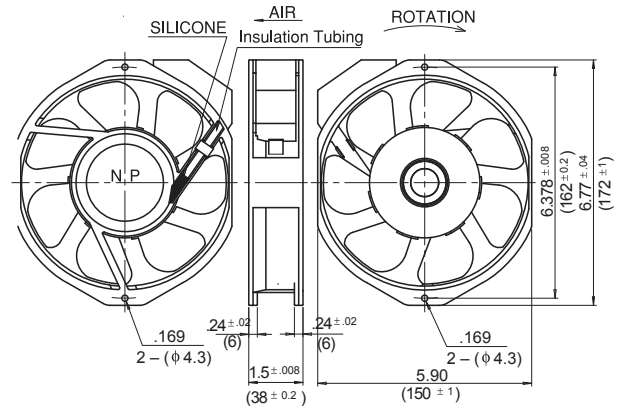
## Panel Cut-Outs



## Characteristic Curves



## Outline



## Specifications

MODEL	Rated Voltage	Frequency	Starting Voltage	Current	Input Power	Speed	Max. Air Flow		Max. Static Pressure		Noise	Mass
	(V)	(Hz)	(V)	(A) <sup>*1</sup>	(W) <sup>*1</sup>	(min <sup>-1</sup> ) <sup>*3</sup>	CFM	(m <sup>3</sup> /min) <sup>*3</sup>	in H <sub>2</sub> O	(Pa) <sup>*3</sup>	(dB) <sup>*2</sup>	(g)
5915PC-10T-B30-SM0	100	50	65	0.530	42.0	2650	187.10	5.30	0.510	127.5	48	950
5915PC-10T-B30-SM0	100	60	65	0.450	40.0	3150	222.39	6.30	0.655	163.8	53	950
5915PC-12T-B30-SM0	115	50	75	0.450	40.0	2650	187.10	5.30	0.510	127.5	48	950
5915PC-12T-B30-SM0	115	60	75	0.400	38.0	3150	222.39	6.30	0.655	163.8	53	950
5915PC-20T-B30-SM0	200	50	130	0.250	42.0	2650	187.10	5.30	0.510	127.5	48	900
5915PC-20T-B30-SM0	200	60	130	0.230	40.0	3150	222.39	6.30	0.655	163.8	53	950
5915PC-22T-B30-SM0	220	50	145	0.250	42.0	2650	187.10	5.30	0.510	127.5	48	900
5915PC-22T-B30-SM0	220	60	145	0.230	40.0	3150	222.39	6.30	0.655	163.8	53	950
5915PC-23T-B30-SM0	230	50	150	0.220	42.0	2650	187.10	5.30	0.510	127.5	48	950
5915PC-23T-B30-SM0	230	60	150	0.200	40.0	3150	222.39	6.30	0.655	163.8	53	950
5915PC-24T-B30-SM0	240	50	155	0.200	39.0	2650	187.10	5.30	0.510	127.5	48	950
5915PC-24T-B30-SM0	240	60	155	0.200	39.0	3150	222.39	6.30	0.655	163.8	53	950

Rotation: Counterclockwise

Airflow Outlet: Air Out Over Struts

\*1: Maximum Values in Free Air

\*2: Average Values in Free Air

\*3: Minimum Values in Free Air